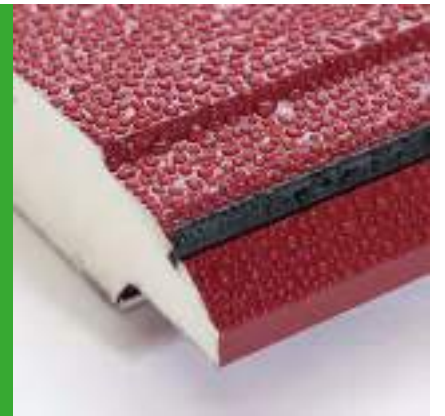




Воротные СИСТЕМЫ

**Гаражные ворота Prestige
Промышленные ворота
ProPlus, AluPro, AluTherm**

Каталог комплектующих и ремонтных узлов



Содержание

1. Секционные ворота серий Prestige и ProPlus	11
1.1 Конструкция секционных ворот.....	13
1.2 Полотно ворот	23
1.3 Встроенная калитка	89
1.4 Системы направляющих и подвеса	145
1.5 Система балансировки.....	185
2. Дополнительная комплектация	233
3. Метизы.....	247
4. Ремонтные узлы	255

05.2024 © ALUTECH

В связи с постоянным совершенствованием конструкции секционных ворот компания «АЛЮТЕХ» оставляет за собой право на внесение изменений в данный документ. Содержание данного документа не может являться основой для юридических претензий

Артикул стр.

4,8×9,5SDX	251
6,3×16S	250
6,3×16S-SS	250
6,3×25s	251
6,3×25SDR	251
6,3×25S-SS	251
8×25S	251
8×60STX	252
8×80S	251
10×50D	252
10×95A	253
105610	240
11042511	137
11042512	137
11042513	144
11043124	56
AC-1	196
AC-5/4	196
B133	167
B134	166
B180SL	171
B180SR	171
B0310	175
B-700ATS	54
B802	176
B-1015	73
B-3501	176
BB0401	222
BB4011	223
BR0400	222
BS11	106
C-9/57	81
C-10/58	80
C-36/41	138
C-36/41M	138
C-152	205
C0504	240
C0505	240
C1010	51
C1011	52
CB132-450	165
CB132-500	165
CD010N	207
CD011V	210
CD011V-D	210
CD012N	207
CD018N	207
CD018V	210
CD018V-5/4	210
CD018V-D	210
CD032N	208
CD032N-5/4	208
CD032N-D	208
CD054H	208
CD120H	209
CD164H	209
CD164H-5/4	209
CD164H-D	209
CH-5010	239
CH-5013	239
CP113-80	169
CP113-100	169
CP113-120	169
CP113-130	169
CP113-150	169
CP113-180	169
CP-133	170
CP0506	236
CP813-100	169

Артикул стр.

CP813-120	169
CP813-150	169
CP813-180	169
CP861	170
CP864	170
CR-3-250	190
CR-3-250-P	211
CR-3-250-SS	212
CR-4-250-SS	212
CR-4-H	211
CR-5-250-SS	212
CR-5-H	211
CR-6-250	212
CR-6-250-SS	212
CRP-70	215
CRS1-3	213
CRS1-4	213
CRS1-5	213
CRS1-6	213
CRS2-3	190
CRS2-3	213
CRS2-4	213
CRS2-5	213
CRS2-6	213
CRT-3	190
CRT-3	212
CRT-5	212
CRT-6	212
CT0.05-425-2640	37
CT0.05-425-3040	37
CT0.05-425-3540	37
CT0.05-425-4040	37
CT0.05-425-4540	37
CT0.05-450-2640	38
CT0.05-450-3040	38
CT0.05-450-3540	38
CT0.05-450-4040	38
CT0.05-450-4540	38
CT0.05-475-2640	38
CT0.05-475-3040	38
CT0.05-475-3540	38
CT0.05-475-4040	38
CT0.05-475-4540	38
CT0.05-500-2640	39
CT0.05-500-3040	39
CT0.05-500-3540	39
CT0.05-500-4040	39
CT0.05-500-4540	39
CT0.05-525-2640	39
CT0.05-525-3040	39
CT0.05-525-3540	39
CT0.05-525-4040	39
CT0.05-525-4540	39
CT0.06-425-2640	37
CT0.06-425-3040	37
CT0.06-425-3540	37
CT0.06-425-4040	37
CT0.06-425-4540	37
CT0.06-450-2640	38
CT0.06-450-3040	38
CT0.06-450-3540	38
CT0.06-450-4040	38
CT0.06-450-4540	38
CT0.06-475-2640	38
CT0.06-475-3040	38
CT0.06-475-3540	38
CT0.06-475-4040	38
CT0.06-475-4540	38
CT0.06-500-2640	39

Артикул стр.

CT0.06-500-3040	39
CT0.06-500-3540	39
CT0.06-500-4040	39
CT0.06-500-4540	39
CT0.06-525-2640	39
CT0.06-525-3040	39
CT0.06-525-3540	39
CT0.06-525-4040	39
CT0.06-525-4540	39
CT1.01-425-2640	35
CT1.01-425-3040	35
CT1.01-425-3540	35
CT1.01-425-4040	35
CT1.01-425-4540	35
CT1.01-450-2640	35
CT1.01-450-3040	35
CT1.01-450-3540	35
CT1.01-450-4040	35
CT1.01-450-4540	35
CT1.01-475-2640	36
CT1.01-475-3040	36
CT1.01-475-3540	36
CT1.01-475-4040	36
CT1.01-475-4540	36
CT1.01-500-2640	36
CT1.01-500-3040	36
CT1.01-500-3540	36
CT1.01-500-4040	36
CT1.01-500-4540	36
CT1.01-525-2640	37
CT1.01-525-3040	37
CT1.01-525-3540	37
CT1.01-525-4040	37
CT1.01-525-4540	37
CT1.02-425-2640	35
CT1.02-425-3040	35
CT1.02-425-3540	35
CT1.02-425-4040	35
CT1.02-425-4540	35
CT1.02-450-2640	35
CT1.02-450-3040	35
CT1.02-450-3540	35
CT1.02-450-4040	35
CT1.02-450-4540	35
CT1.02-475-2640	36
CT1.02-475-3040	36
CT1.02-475-3540	36
CT1.02-475-4040	36
CT1.02-475-4540	36
CT1.02-500-2640	36
CT1.02-500-3040	36
CT1.02-500-3540	36
CT1.02-500-4040	36
CT1.02-500-4540	36
CT1.02-525-2640	37
CT1.02-525-3040	37
CT1.02-525-3540	37
CT1.02-525-4040	37
CT1.02-525-4540	37
DH-4020	204
DIC043BR	82
DIC043WH	82
DIS043BR-3	82
DIS043BR-4	82
DIS043WH-3	82
DIS043WH-4	82
DP2020	133
DP2021	133
DP2022	133

Артикул..... стр.

DR-12-05.....	235
DR-12-07.....	235
DR-12-10.....	235
EC-45.425L.....	41
EC-45.425R.....	41
EC-45.450DL.....	41
EC-45.450DR.....	41
EC-45.450L.....	41
EC-45.450R.....	41
EC-45.475L.....	41
EC-45.475R.....	41
EC-45.500DL.....	41
EC-45.500DR.....	41
EC-45.500L.....	41
EC-45.500R.....	41
EC-45.525L.....	41
EC-45.525R.....	41
EC-45.625DL.....	41
EC-45.625DR.....	41
EC-45.625L.....	41
EC-45.625R.....	41
FLGU.400.1008.....	144
FLGU.400.1009.....	144
FPB5007.....	70
FPB5010.....	71
FPB-5012.....	71
FPP5008.....	71
FPU-1.....	297
FRK07.....	51
FWO100/145B.....	243
FWO100C.....	245
FWO100F.....	244
FWO100H.....	245
FWO145C.....	245
FWO145F.....	244
FWO145H.....	245
GG-58.....	52
GLG-1.....	262
GLG-2.....	262
GLG-3.....	258
GLG-3.....	258
GLG-4.....	258
GLG-5.....	282
GLG-6.....	282
GLG-7.....	275
GLG-8.....	283
GLG-9.....	283
GLG-10.....	276
GSH-1.....	318
GSH-2.....	318
GSH-3.....	318
GSH-4.....	319
GSH-5.....	319
GSH-6.....	319
GSH-7.....	319
GSH-8.....	319
GSH-9.....	319
GSH-10.....	319
GSH-12.....	321
GSH-13.....	321
GSH-14.....	321
GSH-15.....	321
GSH-16.....	321
GSH-17.....	320
GSH-18.....	320
GSH-19.....	322
GSH-20.....	322
GSH-21.....	322
GSH-22.....	322

Артикул..... стр.

GSH-23.....	322
GSH-24.....	322
GSH-25.....	322
GSH-27.....	320
GSH-28.....	320
GSH-29.....	318
GSH-30.....	323
GSH-31.....	323
GSH-32.....	323
GSH-33.....	323
GTS-1.....	298
HG008.....	76
HGI007.....	76
HGI009.....	75
HGI009.002.01.....	75
HGI009.002.02.....	75
HGI009.002.03.....	75
HGI009.002.04.....	75
HGI009.002.09.....	75
HGI009.002.10.....	75
HGI009.002.12.....	75
HGI009.002.15.....	75
HGI009.002.16.....	75
HGI009.002.17.....	75
HGI009.002.18.....	75
HGI009.002.19.....	75
HGI009.002.20.....	75
HGI009.002.22.....	75
HKG-4.....	302
HKG-5.....	302
HKG-6.....	315
HKG-7.....	316
HKG-8.....	316
HKG-9.....	302
HKG-10.....	302
HKG-11.....	315
HKG-12.....	316
HKG-13.....	316
HKG-15.....	315
HKG-16.....	316
HKG-17.....	316
HKG-18.....	302
HKG-19.....	302
HKG-20.....	316
HKG-21.....	316
HKG-22.....	302
HKG-23.....	302
HKI-10.....	303
HKI-11.....	303
HKI-12.....	317
HKI-13.....	317
HKI-14.....	303
HKI-15.....	303
HKI-16.....	303
HKI-17.....	303
HKI-18.....	317
HKI-19.....	317
HKI-20.....	304
HKI-21.....	304
HKI-22.....	304
HKI-23.....	304
HKI-24.....	317
HKI-25.....	317
HKI-26.....	304
HKI-27.....	304
HKI-28.....	317
HKI-29.....	317
HKI-30.....	304
HKI-31.....	304

Артикул..... стр.

HKI-32.....	317
HKI-33.....	317
HKI-34.....	305
HKI-35.....	305
HKI-36.....	305
HKI-37.....	305
HKI-38.....	317
HKI-39.....	317
HKI-40.....	305
HKI-41.....	305
HKI-42.....	317
HKI-43.....	317
HKI-48.....	306
HKI-49.....	306
HKI-50.....	306
HKI-51.....	306
HKI-52.....	306
HKI-53.....	306
HKI-54.....	307
HKI-55.....	307
HKI-56.....	307
HKI-57.....	307
HKI-58.....	307
HKI-59.....	307
HKI-60.....	307
HKI-61.....	307
HKI-62.....	308
HKI-63.....	308
HKI-64.....	317
HKI-65.....	317
HKI-66.....	308
HKI-67.....	308
HKI-68.....	308
HKI-69.....	308
HKI-70.....	317
HKI-71.....	317
HKI-72.....	309
HKI-73.....	309
HKI-74.....	309
HKI-75.....	309
HKI-76.....	317
HKI-77.....	317
HKI-78.....	309
HKI-79.....	309
HKI-80.....	317
HKI-81.....	317
HKI-82.....	309
HKI-83.....	309
HKI-84.....	317
HKI-85.....	317
HKI-86.....	310
HKI-87.....	310
HKI-88.....	310
HKI-89.....	310
HKI-90.....	317
HKI-91.....	317
HKI-92.....	310
HKI-93.....	310
HKI-94.....	317
HKI-95.....	317
HKI-100.....	317
HKI-101.....	317
HKI-102.....	317
HKI-103.....	317
HKI-104.....	317
HKI-105.....	317
HKI-106.....	317
HKI-107.....	317
HKI-108.....	311

Артикул стр.

HKI-109	311
HKI-110	311
HKI-111	311
HKI-112	311
HKI-113	311
HKI-114	312
HKI-115	312
HKI-116	312
HKI-117	312
HKI-118	312
HKI-119	312
HKI-121	317
HKI-122	317
HKI-123	313
HKI-124	313
HKI-125	313
HKI-126	313
HKI-127	313
HKI-128	313
HKI-129	314
HKI-130	314
HKI-131	314
HKI-132	314
HKI-133	314
HKI-134	314
HKI-135	317
HKI-136	317
HKU001	241
I0500	235
IB-86M	218
IB-111M	218
IB-127M	218
IB-152-5/4	218
IB-152M	218
IB-4508	229
IB-4509	229
IBB-4501	216
IBB-4502	216
IBB-4510	218
IH111	64
IH113	63
IH-114	64
IP-95N-5/4-3800	203
IP-95N-3800	203
IS85-2550	155
IS85-3060	155
IS85-3550	155
IS85-4100	155
IS85-4580	155
IS85-6000	155
IS85-7000	155
IS85-8000	155
LH3004	184
LKU-80	280
LP-3009H	77
LPA-1	284
LPA-3	285
LPA-5	287
LPA-6	288
LPA-7	289
LPA-8	290
LPA-15	284
LPA-17	285
LPA-19	287
LPA-20	288
LPA-21	289
LPA-22	290
LPA-27	277
LPA-28	278

Артикул стр.

LPA-29	279
LPA-31	286
LPA-32	291
LPA-33	292
LPA-34	293
LPA-35	294
LPA-36	295
LPA-37	296
LPA-41	286
LPA-42	291
LPA-43	292
LPA-44	293
LPA-45	294
LPA-46	295
LPA-47	296
LPF-1	259
LPF-2	260
LPF-3	260
LPU-1	263
LPU-5	265
LPU-6	266
LPU-7	267
LPU-8	268
LPU-15	263
LPU-19	265
LPU-20	266
LPU-21	267
LPU-22	268
LPU-27	259
LPU-27	259
LPU-28	260
LPU-29	260
LPU-31	264
LPU-32	269
LPU-34	270
LPU-35	271
LPU-36	272
LPU-37	273
LPU-41	264
LPU-42	269
LPU-44	270
LPU-45	271
LPU-46	272
LPU-47	273
LS1016	69
M5x22SDX	252
M6x12BP	249
M6x12BKL	249
M6x12BKL-SS	249
M6x16BKL	250
M6x16BKL-SS	250
M6x16BP	249
M6N	250
M6N-SS	250
M8x12B	249
M8x16BKL	249
M8x16BKL-SS	249
M8x25BKL	250
M8x25BKL-SS	250
M8N	250
M8N-SS	250
M10x55SCOL	252
MS-550N	172
MV350Rs-W	88
MV350s-B	88
MV350s-W	88
MW1.01-500	28
MW1.01-625	28
MW1.02-500	28

Артикул стр.

MW1.02-625	28
MW1.03-500	28
MW1.03-625	28
MW1.04-500	28
MW1.04-625	28
MW1.09-500	28
MW1.09-625	28
MW1.10-500	28
MW1.10-625	28
MW1.12-500	28
MW1.12-625	28
MW1.14-500	28
MW1.14-625	28
MW1.16-500	28
MW1.16-625	28
MW1.20-500	28
MW1.20-625	28
MW1.25-500	28
MW1.25-625	28
OSS4013	174
P19L	73
P19R	73
P1012	87
P-1501	86
P-1502	86
PB-3007IL	214
PB-3007IR	214
PB-3008GL	214
PB-3008GR	214
PB-3010	215
PC-4016	192
PED2016	139
PED2017	139
PED2018	140
PED2019	140
PED2020	140
PED2025L	140
PED2025R	140
PED-2039	141
PED-2040L	142
PED-2040R	142
PED-2041-PC	141
PED-2041-RC	141
PED-2042	142
PED-2043	143
PED-2044-PC	143
PED-2044-RC	143
PED-2045	144
PRD13	130
PRD19.01	70
PRD19.01-7050	70
PRD40	47
PRD41	48
PRD42	46
PRD43	46
PRD44	44
PRD45	44
PRD46	49
PRD48	50
PRD50	48
PRD51	49
PRD52	47
PRD53	47
PRD54	45
PRD55	45
PRD56	50
PRD70	119
PRD71	118
PRD91	50

Артикул стр.

PRG01	153
PRG01LFL	153
PRG01LFR	153
PRG01LL	153
PRG01LR	153
PRG02H	152
PRG02LL	152
PRG02LR	152
PRG02NL	150
PRG02NR	150
PRG02SL	151
PRG02SR	151
PRG03	157
PRG04	156
PRG04S	156
PRG05S	154
PRG06	181
PRG07	163
PRG07N	162
PRG09	181
PRG-11	68
PRG-12	129
PRG-13	129
PRG-14	67
PRG-15	67
PRG-16	131
PRG-17	131
PRG-19	72
PRG-20	72
PRG32LL	152
PRG32LR	152
PRG32NL	150
PRG32NR	150
PRG-33	163
PRG110-8020	73
R-120-20-SSL	66
R-120-20-SSR	66
R-120-35-SSL	66
R-120-35-SSR	66
R-130-12-G	65
R-130-12-SS	65
R-130-12-SS-P	65
R-205-12-G	65
R-205-12-GG	66
R-205-12-SS	65
R-205-12-SS-P	66
RBG100L	57
RBG100L-SS	57
RBG100R	57
RBG100R-SS	57
RBG-150TNL	57
RBG-150TNR	57
RBG900L	53
RBG900L-SS	53
RBG900R	53
RBG900R-SS	53
RBG-900TNL	54
RBG-900TNR	54
RBI-40.100L-008	59
RBI-40.100L-010	60
RBI-40.100R-008	59
RBI-40.100R-010	60
RBI-45.100L	59
RBI-45.100R	59
RBI-45.110DL	58
RBI-45.110DR	58
RBI-45.120DL	60
RBI-45.120DR	60
RBI-45.127	53

Артикул стр.

RBI-45.130L	61
RBI-45.130R	61
RBI-45.200L	61
RBI-45.200R	61
RBI-45.900L	54
RBI-45.900R	54
RBI123	55
RBI446L	58
RBI446ML	60
RBI446MR	60
RBI446R	58
RBP-700L-SS	55
RBP-700R-SS	55
RC0505	242
RE101FL-5	159
RE101FL-10	159
RE101FL-15	159
RE101FL-20	159
RE101FL-25	159
RE101FL-30	159
RE101FL-35	159
RE101FL-40	159
RE101FL-45	159
RE101FR-5	159
RE101FR-10	159
RE101FR-15	159
RE101FR-20	159
RE101FR-25	159
RE101FR-30	159
RE101FR-35	159
RE101FR-40	159
RE101FR-45	159
RE101L	159
RE101R	159
RE701HL	158
RE701HR	158
RE801L	158
RE801R	158
RE801SL	158
RE801SR	158
RK-4500	78
RK-6000	78
RL0.01-450	33
RL0.01-500	33
RL0.05-450	33
RL0.05-500	33
RL0.06-450	33
RL0.06-500	33
RL0.14-450	33
RL0.14-500	33
RL0.16-450	33
RL0.16-500	33
RL0.18-450	33
RL0.18-500	33
RL0.20-450	33
RL0.20-500	33
RL0.24-450	33
RL0.24-500	33
RL0.25-450	33
RL0.25-500	33
RL0.27-450	33
RL0.27-500	33
RL1.01-450	32
RL1.01-500	32
RL1.20-450	32
RL1.20-500	32
RL1.26-450	32
RL1.26-500	32
RLG004-01P	79

Артикул стр.

RLG004-02P	79
RLG004.226.01	80
RLG004.226.02	80
RLG004.226.03	80
RLG004.226.04	80
RLG004.226.09	80
RLG004.226.10	80
RLG004.226.12	80
RLG004.226.15	80
RLG004.226.16	80
RLG004.226.17	80
RLG004.226.18	80
RLG004.226.19	80
RLG004.226.20	80
RLG004.226.22	80
RLI0103	81
RM0.01-450	31
RM0.01-500	31
RM0.05-450	31
RM0.05-500	31
RM0.06-450	31
RM0.06-500	31
RM0.16-450	31
RM0.16-500	31
RM0.24-450	31
RM0.24-500	31
RM1.01-450	31
RM1.01-500	31
RM1.20-450	31
RM1.20-500	31
RM1.26-450	31
RM1.26-500	31
RM1.27-450	31
RM1.27-500	31
RM0104	78
RM0104-4500	78
RP112	62
RP113	62
RP121	63
RP122	63
RS0.05-500	30
RS0.05-625	30
RS0.06-500	30
RS0.06-625	30
RS1.01-500	29
RS1.01-625	29
RS1.02-500	29
RS1.02-625	29
RS1.03-500	29
RS1.03-625	29
RS1.04-500	29
RS1.04-625	29
RS1.09-500	29
RS1.09-625	29
RS1.10-500	29
RS1.10-625	29
RS1.12-500	29
RS1.12-625	29
RS1.14-500	29
RS1.14-625	29
RS1.16-500	29
RS1.16-625	29
RS1.18-500	29
RS1.18-625	29
RS1.20-500	29
RS1.20-625	29
RS1.25-500	29
RS1.25-625	29
RS1.26-500	29

Артикул..... стр.

RS1.26-625	29
RS1.27-500	29
RS1.27-625	29
RS0301	184
RSB09	119
RSB20	74
RSP16	40
RSP25	51
RST01	74
RSW15	120
S140LFL-5	161
S140LFL-10	161
S140LFL-15	161
S140LFL-20	161
S140LFL-25	161
S140LFL-30	161
S140LFL-35	161
S140LFL-40	161
S140LFL-45	161
S140LFR-5	161
S140LFR-10	161
S140LFR-15	161
S140LFR-20	161
S140LFR-25	161
S140LFR-30	161
S140LFR-35	161
S140LFR-40	161
S140LFR-45	161
S140LL	161
S140LR	161
S-160LNL	161
S-160LNR	161
S-171L	164
S-171R	164
S-172L	164
S-172R	164
S340NL	160
S340NR	160
S0504	241
S840NL	160
S840NR	160
S940LL	160
S940LR	160
S940SL	160
S940SR	160
SA-5/4	196
SB0100	77
SB0101S	77
SB212S	189
SB-235K	182
SB-485K	182
SB-750EK	183
SB-750K	183
SBD-86L	206
SBD-86R	206
SBD-111L	206
SBD-111R	206
SBD-127L	206
SBD-127R	206
SBD-152L	206
SBD-152R	206
SBD-TL	206
SBD-TR	206
SBD-TSS5/4L	206
SBD-TSS5/4R	206
SCI-1	231
SCI-5/4	231
SF-51	202
SF-67	202

Артикул..... стр.

SF-95	202
SF-95-D	203
SF-152L	203
SF-152L-5/4	203
SF-152R	203
SF-152R-5/4	203
SH221S	189
SK-300	205
SKH-38	230
SKH-75x10	230
SKS-38	230
SKS-75	230
SP203S	188
SS-45.100	238
SS0402	237
SS0410	239
SS446L	238
SS446R	238
SXR 10x60 FUS	252
T-100-6000	168
T-152-3600	205
TB006	180
TB007	180
TB191S-300	177
TB191S-500	177
TB191S-800	177
TB191S-1000	177
TB192S	177
TB193S-330	177
TB193S-680	177
TB193S-910	177
TB603	178
TB604	179
TB607-300	178
TB607-500	178
TB607-800	178
TB607-1000	178
TB607-1500	178
TBB-4505	217
TBG816L	226
TBG816R	226
TBI510ML	224
TBI510MR	224
TBI520ML	224
TBI520MR	224
TBI530ML	224
TBI530MR	224
TBI540ML	224
TBI540MR	224
TBI550ML	224
TBI550MR	224
TBI560ML	224
TBI560MR	224
TBI570ML	224
TBI570MR	224
TBI580L	224
TBI580R	224
TBI590L	224
TBI590R	224
TBI-600L	225
TBI-600R	225
TBI-610L	225
TBI-610R	225
TBI-630L	225
TBI-630R	225
TBI-640L	225
TBI-640R	225
TBI-700L	225
TBI-700R	225

Артикул..... стр.

TBI-710L	225
TBI-710R	225
TBI-730L	225
TBI-730R	225
TBI915	227
TBI922	179
TBI923	179
TBI924	180
TBI925	227
TBP-916L	228
TBP-916R	228
TBT-4503	228
TKU-1	298
TKU-2	298
TKU-3	298
TKU-4	298
TKU-5	298
TKU-6	298
TKU-7	298
TKU-8	298
TKU-9	298
TKU-11	298
TKU-13	299
TKU-21	300
TKU-22	300
TKU-23	300
TKU-24	300
TKU-25	300
TKU-26	300
TKU-27	300
TKU-28	300
TKU-29	300
TKU-30	300
TKU-31	300
TKU-32	300
TKU-33	301
TN26x25VTx2500R	191
TN26x33RDx2000R	191
TN28x25BRx1250R	191
TN28x33BRx2000R	191
TN30x25WHx1500R	191
TN30x33WHx2000R	191
TN32x25YLx1120R	191
TN32x25YLx1250R	191
TN32x33GRx1050R	191
TN34x25RDx1550R	191
TN34x33BLx1100R	191
TN36x33ORx850R	191
TN36x33ORx1100R	191
TN38x33PNx900R	191
TN40x33GNx1250R	191
TN42x33BKx1170R	191
TN42x33BKx1350R	191
TN45x33VTx1510R	191
TP-550	172
TSA42,5x51x1000L	198
TSA42,5x51x1000R	198
TSA45x51x1100L	198
TSA45x51x1100R	198
TSA47,5x51x1250L	198
TSA47,5x51x1250R	198
TSA50x51x1350L	198
TSA50x51x1350R	198
TSA52,5x51x1300L	198
TSA52,5x51x1300R	198
TSA55x51x1400L	198
TSA55x51x1400R	198
TSA55x67x1200L	199
TSA55x67x1200R	199

Артикул..... стр.

TSA57,5×51×1600L	198
TSA57,5×51×1600R	198
TSA57,5×67×1400L	199
TSA57,5×67×1400R	199
TSA60×51×1700L	198
TSA60×51×1700R	198
TSA60×67×1500L	199
TSA60×67×1500R	199
TSA62,5×51×1800L	198
TSA62,5×51×1800R	198
TSA62,5×67×1700L	199
TSA62,5×67×1700R	199
TSA65×51×1900L	198
TSA65×51×1900R	198
TSA65×67×1700L	199
TSA65×67×1700R	199
TSA65×95×1400L	200
TSA65×95×1400R	200
TSA70×51×1400L	198
TSA70×51×1400R	198
TSA70×51×2000L	198
TSA70×51×2000R	198
TSA70×67×1900L	199
TSA70×67×1900R	199
TSA70×95×1150L	200
TSA70×95×1150R	200
TSA70×95×1650L	200
TSA70×95×1650R	200
TSA75×67×2200L	199
TSA75×67×2200R	199
TSA75×95×1300L	200
TSA75×95×1300R	200
TSA75×95×1750L	200
TSA75×95×1750R	200
TSA75×152×1300L	201
TSA75×152×1300R	201
TSA80×95×1500L	200
TSA80×95×1500R	200
TSA80×95×2100L	200
TSA80×95×2100R	200
TSA80×152×1500L	201
TSA80×152×1500R	201
TSA85×95×1250L	200
TSA85×95×1250R	200
TSA85×95×1600L	200
TSA85×95×1600R	200
TSA85×152×1250L	201
TSA85×152×1250R	201
TSA85×152×1750L	201
TSA85×152×1750R	201
TSA90×95×1400L	200
TSA90×95×1400R	200
TSA90×95×1500L	200
TSA90×95×1500R	200
TSA90×152×2100L	201
TSA90×152×2100R	201
TSA95×95×1600L	200
TSA95×95×1600R	200
TSA95×152×1300L	201
TSA95×152×1300R	201
TSA95×152×2250L	201
TSA95×152×2250R	201
TSA100×152×1400L	201
TSA100×152×1400R	201
TSA100×152×2450L	201
TSA100×152×2450R	201
TSA105×152×1400L	201
TSA105×152×1400R	201
TSA105×152×1800L	201

Артикул..... стр.

TSA105×152×1800R	201
TSA110×152×1550L	201
TSA110×152×1550R	201
TSA110×152×1800L	201
TSA110×152×1800R	201
TSA115×152×1800L	201
TSA115×152×1800R	201
TSH-4500	194
TSH-4500-2	194
TSH-5500	194
TSH-5500-2	194
TSS-5/4-4000	195
TSS-5/4-5800	195
TSS4004	219
TSS4005	220
TSS4006	220
TSS4007	220
TSS4008	221
TSS4009	221
TSS4012	173
TSS4013	174
TSS4014	174
TSS-5000	194
TSS-5500	194
US230S	188
VG-368BK	88
VG-368RBK	88
VG-368RWH	88
VG-368WH	88
W043-BR	84
W043-CG	84
W043-GG	84
W043-MG	84
W043-TG	84
W043-WH	84
W046	83
W050-BR	85
W050-CG	84
W050-GG	84
W050-MG	84
W050-TG	84
W050-WH	85
W060-BR	85
W060-CG	85
W060-GG	85
W060-MG	85
W060-TG	85
W060-WH	85
W085	83
W095	83
WD01L-BR	122
WD01L-GR	122
WD01R-BR	122
WD01R-GR	122
WD11L-BR	121
WD11L-GR	121
WD11R-BR	121
WD11R-GR	121
WD12P	130
WD13PL	130
WD13PR	130
WD16PL	132
WD16PR	132
WD17PL	132
WD17PR	132
WD21L-BR	107
WD21L-GR	107
WD21R-BR	107
WD21R-GR	107

Артикул..... стр.

WD22L-BR	107
WD22L-GR	107
WD22R-BR	107
WD22R-GR	107
WD32L-BR	121
WD32L-GR	121
WD32R-BR	121
WD32R-GR	121
WD100	128
WD151L.001	126
WD151L.101	116
WD151L.103	118
WD151L.201	101
WD151L.202	99
WD151L.203	103
WD151L.302	115
WD151R.001	126
WD151R.101	116
WD151R.103	118
WD151R.201	101
WD151R.202	99
WD151R.203	103
WD151R.302	115
WD152L.001	126
WD152L.101	116
WD152L.201	101
WD152L.202	99
WD152L.302	114
WD152R.001	126
WD152R.101	116
WD152R.201	101
WD152R.202	99
WD152R.302	114
WD-153L.001	126
WD-153L.101	117
WD-153L.201	102
WD-153L.202	100
WD-153L.203	103
WD-153L.302	115
WD-153R.001	126
WD-153R.101	117
WD-153R.201	102
WD-153R.202	100
WD-153R.203	103
WD-153R.302	115
WD161L.001	126
WD161L.101	116
WD161L.201	101
WD161L.202	99
WD161L.302	115
WD161R.001	126
WD161R.101	116
WD161R.201	101
WD161R.202	99
WD161R.302	115
WD162L.001	126
WD162L.101	116
WD162L.201	101
WD162L.202	99
WD162L.302	114
WD162R.001	126
WD162R.101	116
WD162R.201	101
WD162R.202	99
WD162R.302	114
WD-163L.001	126
WD-163L.101	117
WD-163L.201	102
WD-163L.202	100

Артикул стр.

WD-163L.302	115
WD-163R.001	126
WD-163R.101	117
WD-163R.201	102
WD-163R.202	100
WD-163R.302	115
WD0210	136
WD250L.101	113
WD250L.201	98
WD250L.202KfV	97
WD250L.202KfV-01	97
WD250L.302KfV	113
WD250LA.202	98
WD250LA.302	113
WD250R.001	125
WD250R.101	113
WD250R.201	98
WD250R.202KfV	97
WD250R.202KfV-01	97
WD250R.302KfV	113
WD250RA.202	98
WD250RA.302	113
WD260L.101	113
WD260L.201	98
WD260L.202KfV	97
WD260L.202KfV-01	97
WD260L.302KfV	113
WD260LA.202	98
WD260LA.302	113
WD260R.001	125
WD260R.101	113
WD260R.201	98
WD260R.202KfV	97
WD260R.202KfV-01	97
WD260R.302KfV	113
WD260RA.202	98
WD260RA.302	113
WD350L.202	97
WD350L.302	112
WD350R.202	97
WD350R.302	112
WD360L.202	97
WD360L.302	112
WD360R.202	97
WD360R.302	112
WD403L.001	125
WD403L.101	112
WD403L.103	111
WD403L.201	96
WD403L.202	95
WD403L.203	95
WD403L.302	111
WD403R.001	125
WD403R.101	112
WD403R.103	111
WD403R.108	134
WD403R.108	134

Артикул стр.

WD403R.201	96
WD403R.202	95
WD403R.203	95
WD403R.302	111
WD404L.001	125
WD404L.101	112
WD404L.201	96
WD404L.202	95
WD404L.302	111
WD404R.001	125
WD404R.101	112
WD404R.201	96
WD404R.202	95
WD404R.302	111
WD2011	108
WD2013N	124
WD2014	124
WD2028	123
WD2031	108
WD2033	119
WD2034L-BK	119
WD2034L-BR	119
WD2034L-GR	119
WD2034R-BK	119
WD2034R-BR	119
WD2034R-GR	119
WD2035	134
WD2039	135
WDE151L.101	117
WDE151L.103	118
WDE151L.201	102
WDE151L.202	100
WDE151L.203	103
WDE151L.302	115
WDE151R.101	117
WDE151R.103	118
WDE151R.201	102
WDE151R.202	100
WDE151R.203	103
WDE151R.302	115
WDE152L.101	116
WDE152L.201	101
WDE152L.202	99
WDE152L.302	114
WDE152R.101	116
WDE152R.201	101
WDE152R.202	99
WDE152R.302	114
WDE153L.101	117
WDE153L.202	100
WDE153R.101	117
WDE153R.201	102
WDE153R.201	102
WDE153R.202	100
WDE153R.203	104
WDE161L.101	117
WDE161L.201	102

Артикул стр.

WDE161L.202	100
WDE161L.302	115
WDE161R.101	117
WDE161R.201	102
WDE161R.202	100
WDE161R.302	115
WDE162L.101	116
WDE162L.201	101
WDE162L.202	99
WDE162L.302	114
WDE162R.101	116
WDE162R.201	101
WDE162R.202	99
WDE162R.302	114
WDE163L.101	117
WDE163L.202	100
WDE163R.101	117
WDE163R.201	102
WDE163R.201	102
WDE163R.202	100
WDE250L.101	114
WDE250L.201	98
WDE250R.101	114
WDE250R.201	98
WDE260L.101	114
WDE260L.201	98
WDE260R.101	114
WDE260R.201	98
WDE403L.101	112
WDE403L.103	111
WDE403L.201	96
WDE403L.202	96
WDE403L.203H	95
WDE403R.101	112
WDE403R.103	111
WDE403R.201	96
WDE403R.202	96
WDE403R.203H	95
WDE404L.101	112
WDE404L.201	96
WDE404L.202	96
WDE404R.101	112
WDE404R.201	96
WDE404R.202	96
WH013	127
WH-100	105
WL32	122
WL0202-PC	138
WL0202-RC	138
WL2021-BK	137
WL2021-BR	137
WL2021-SL	137
WL2022-BK	137
WL2022-BR	137
WL2022-SL	137
WSL-3	134
WSL-8	134

1

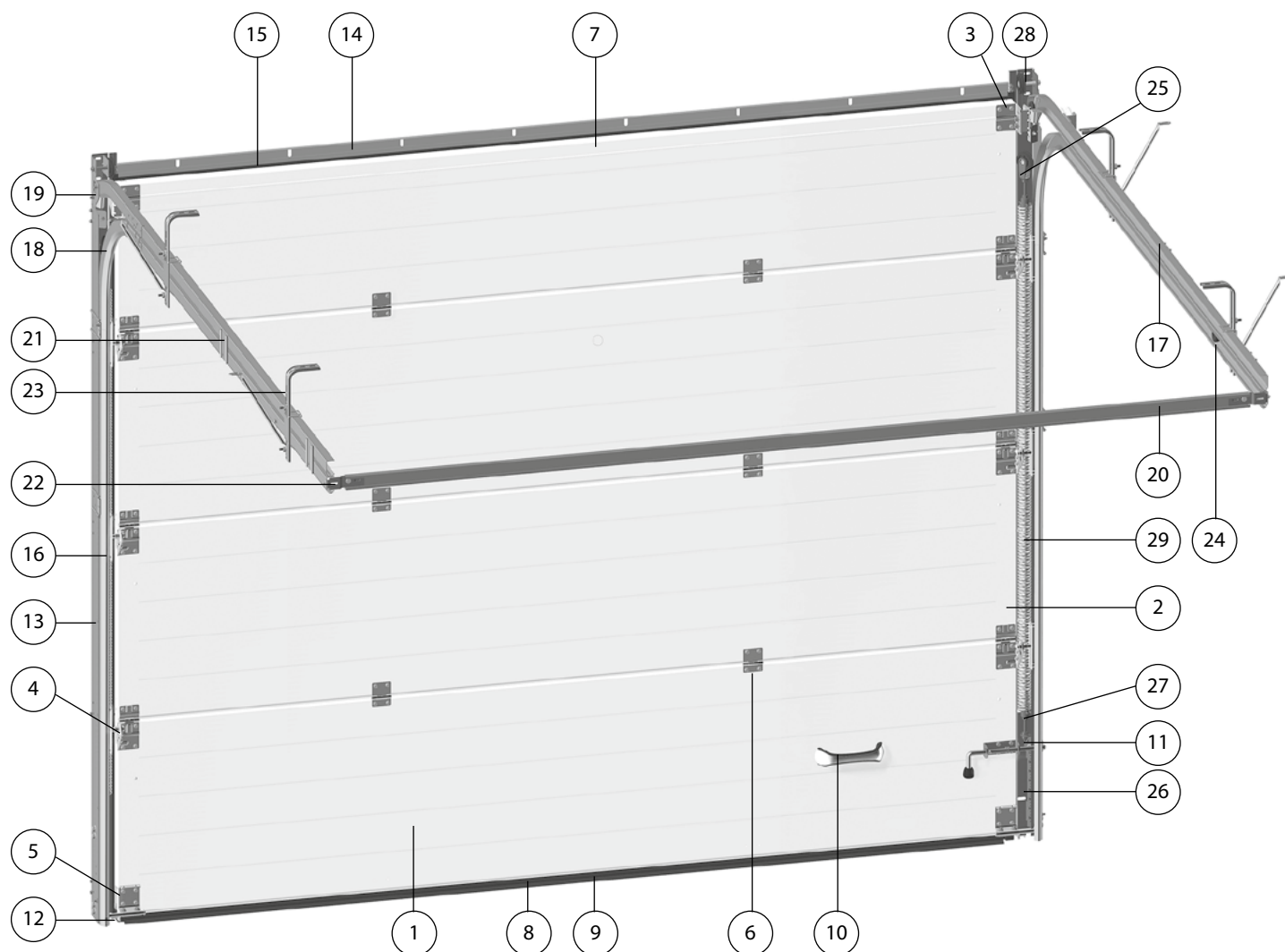
Секционные ворота серий Prestige и ProPlus

1.1	Конструкция секционных ворот	13
1.2	Полотно ворот	23
1.3	Встроенная калитка	89
1.4	Системы направляющих и подвеса	145
1.5	Система балансировки	185

1.1

Конструкция секционных ворот

ГАРАЖНЫЕ ВОРОТА PRESTIGE С ПРУЖИНАМИ РАСТЯЖЕНИЯ

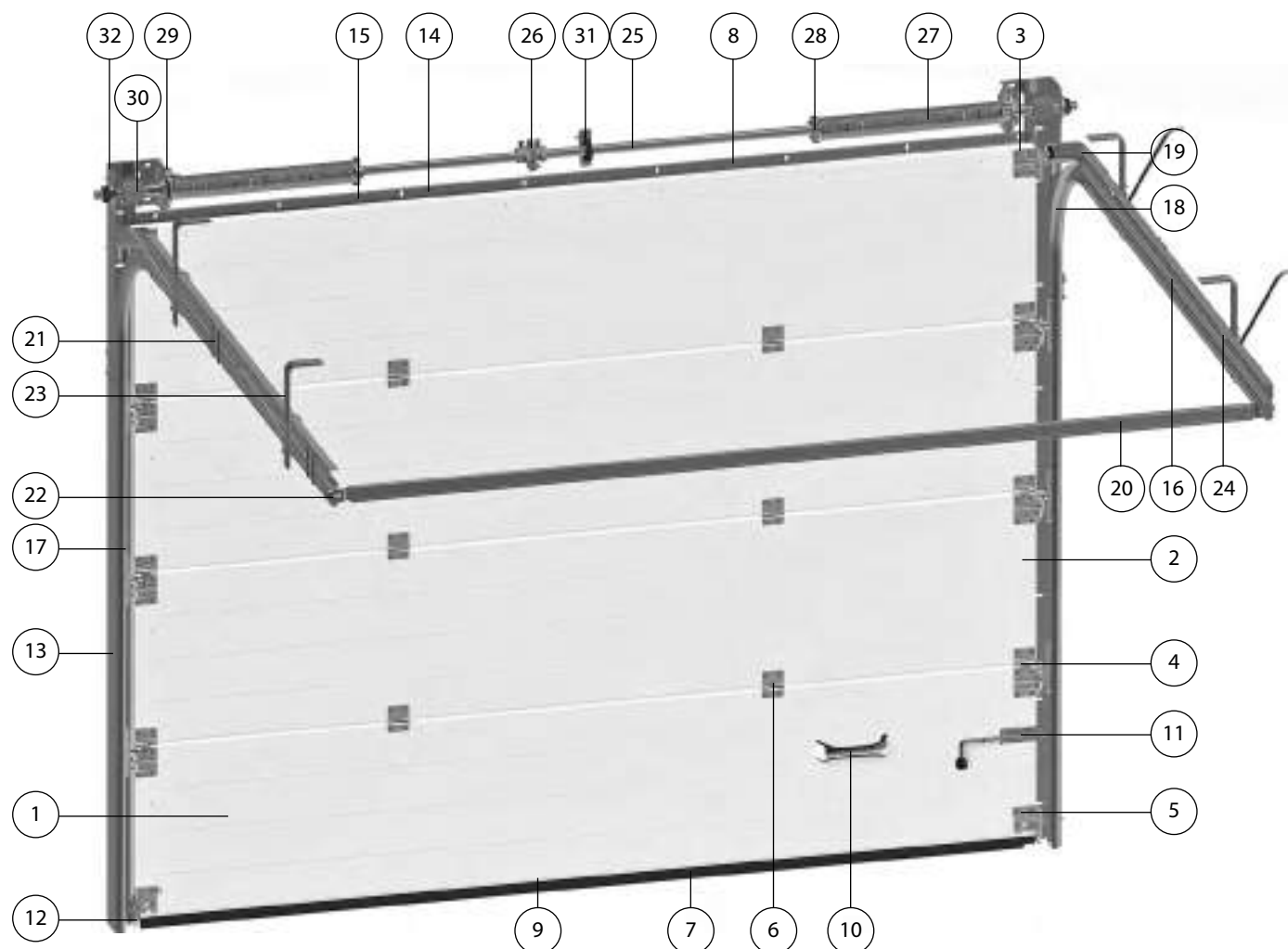


№	Наименование	№	Наименование	№	Наименование			
Полотно ворот			Системы направляющих и подвеса			Система балансировки		
1	Сэндвич-панель	13	Профиль угловой	25	Узел верхний			
2	Накладка боковая	14	Профиль передний (нащельник)	26	Пластина			
3	Кронштейн роликовый верхний	15	Вставка уплотнительная (верхняя)	27	Фиксатор			
4	Кронштейн роликовый боковой	16	Профиль направляющий верт.	28	Кронштейн			
5	Кронштейн роликовый нижний	17	Профиль направляющий гориз.	29	Внутренняя и наружная пружина			
6	Петля промежуточная	18	Элемент радиусный					
7	Профиль концевой (верхний)	19	Узел направляющий передний					
8	Профиль концевой (нижний)	20	С-профиль (мерная планка)					
9	Вставка уплотнительная (нижняя)	21	Пластины соединительные					
10	Ручка	22	Кронштейн мерной планки					
11	Засов	23	Телескопический подвес					
12	Упор нижний	24	Ограничитель					

Секционные ворота «АЛЮТЕХ» соответствуют требованиям Европейских стандартов безопасности EN 12604 и EN 12453.

ГАРАЖНЫЕ ВОРОТА PRESTIGE С ТОРСИОННЫМИ ПРУЖИНАМИ

СТАНДАРТНЫЙ МОНТАЖ



№	Наименование
Полотно ворот	
1	Сэндвич-панель
2	Накладка боковая
3	Кронштейн роликовый верхний
4	Кронштейн роликовый боковой
5	Кронштейн роликовый нижний
6	Петля промежуточная
7	Профиль концевой (нижний)
8	Профиль концевой (верхний)
9	Вставка уплотнительная (нижняя)
10	Ручка
11	Засов
12	Упор нижний

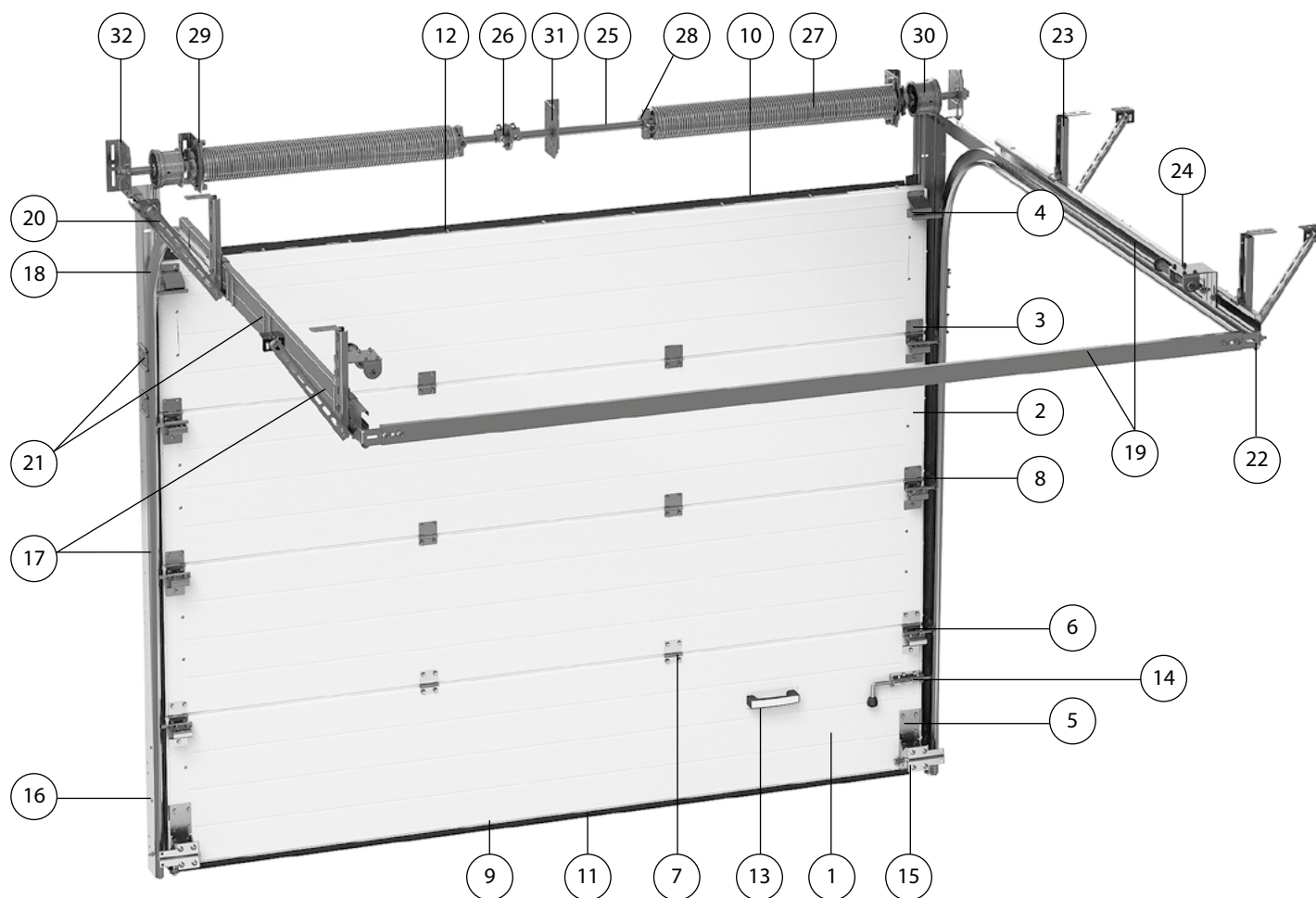
№	Наименование
Системы направляющих и подвеса	
13	Профиль угловой
14	Профиль передний (нащельник)
15	Вставка уплотнительная (верхняя)
16	Профиль направляющий гориз.
17	Профиль направляющий верт.
18	Элемент радиусный
19	Узел направляющий передний
20	С-профиль (мерная планка)
21	Пластины соединительные
22	Кронштейн мерной планки
23	Телескопический подвес
24	Ограничитель

№	Наименование
Торсионный вал	
25	Вал
26	Муфта соединительная
27	Пружина
28	Наконечник пружинный
29	Муфта предохранительная храповая
30	Барaban
31	Кронштейн промежуточный
32	Кронштейн

Секционные ворота «АЛЮТЕХ» соответствуют требованиям Европейских стандартов безопасности EN 12604 и EN 12453.

ПРОМЫШЛЕННЫЕ ВОРОТА PROPLUS

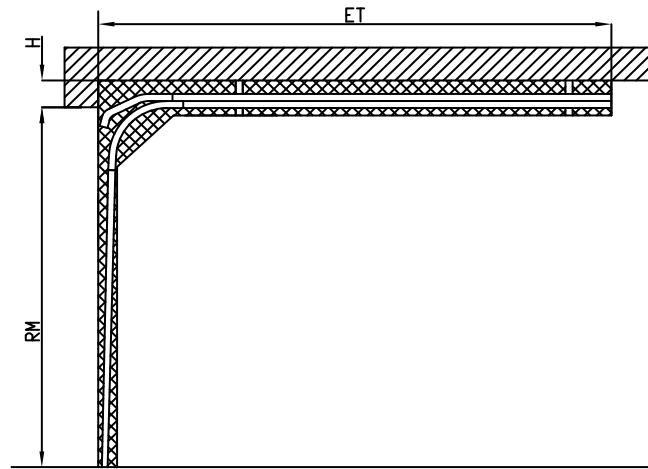
СТАНДАРТНЫЙ МОНТАЖ



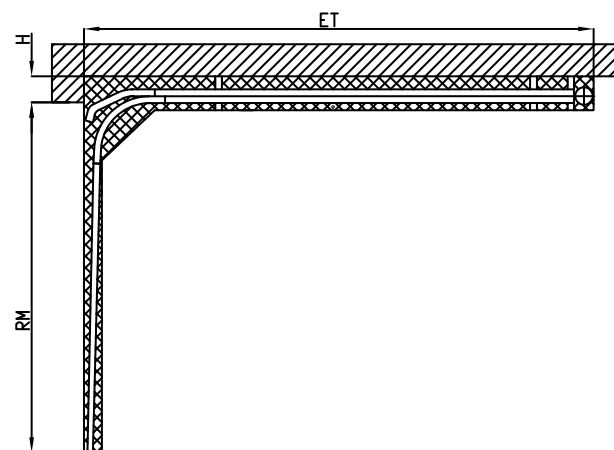
№	Наименование	№	Наименование	№	Наименование
	Полотно ворот		Системы направляющих и подвеса		Торсионный вал
1	Сэндвич-панель	16	Профиль угловой	25	Вал
2	Накладка боковая	17	Профиль направляющий	26	Муфта соединительная
3	Кронштейн роликовый боковой	18	Элемент радиусный	27	Пружина
4	Кронштейн роликовый верхний	19	С-профиль	28	Наконечник пружинный
5	Кронштейн роликовый нижний	20	Узел передний	29	Муфта предохранительная храповая
6	Накладка роликовая	21	Пластины соединительные	30	Барабан
7	Петля промежуточная	22	Кронштейн мерной планки	31	Кронштейн промежуточный
8	Ролик ходовой	23	Телескопический подвес	32	Кронштейн боковой
9	Профиль концевой (нижний)	24	Демпфер		
10	Профиль концевой (верхний)				
11	Вставка уплотнительная (нижняя)				
12	Вставка уплотнительная (верхняя)				
13	Ручка				
14	Засов				
15	Упор нижний				

Секционные ворота «АЛЮТЕХ» соответствуют требованиям Европейских стандартов безопасности EN 12604 и EN 12453.

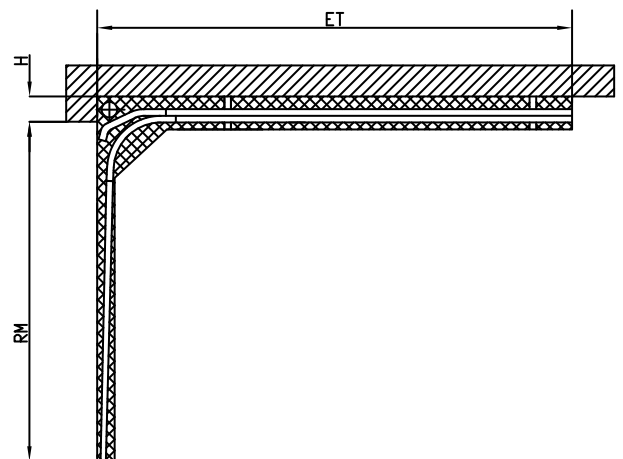
МОНТАЖНАЯ СХЕМА СЕКЦИОННЫХ ГАРАЖНЫХ ВОРОТ СЕРИИ PRESTIGE С ПРУЖИНАМИ РАСТЯЖЕНИЯ



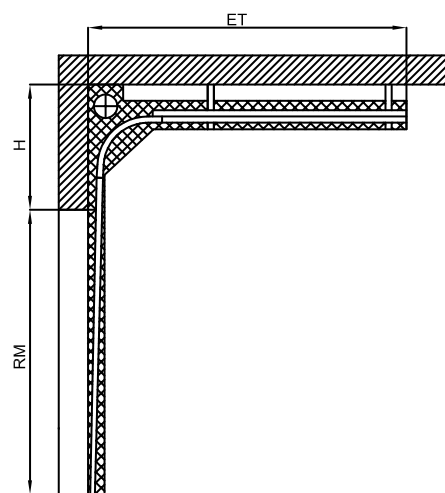
ТИПЫ МОНТАЖА ГАРАЖНЫХ СЕКЦИОННЫХ ВОРОТ СЕРИИ PRESTIGE С ТОРСИОННЫМ ВАЛОМ



Низкий тип монтажа



Стандартный тип монтажа

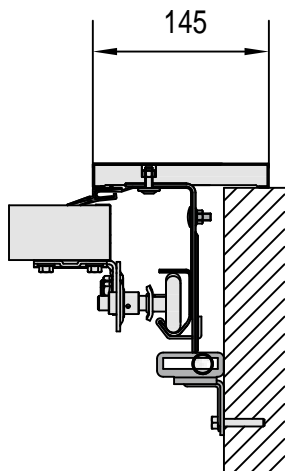


Высокий тип монтажа

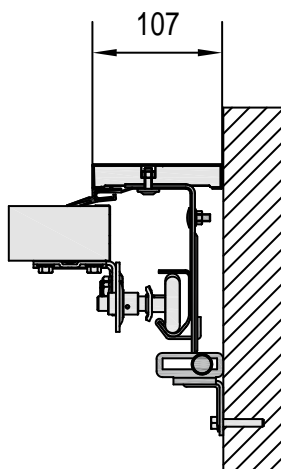
H — высота перемычки, мм
RM — высота проема, мм
ET — глубина вхождения ворот внутрь помещения, мм

Тип монтажа	Минимальная высота перемычки (H), мм
Низкий	100
Стандартный	210
Высокий с верхним расположением вала	500
Пружины растяжения	100

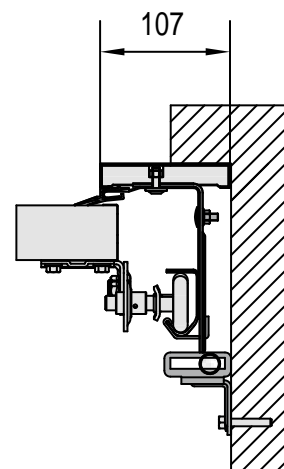
ВСТРОЕННЫЙ МОНТАЖ ГАРАЖНЫХ ВОРОТ С ПРУЖИНАМИ РАСТЯЖЕНИЯ И ГАРАЖНЫХ ВОРОТ НИЗКОГО ТИПА МОНТАЖА



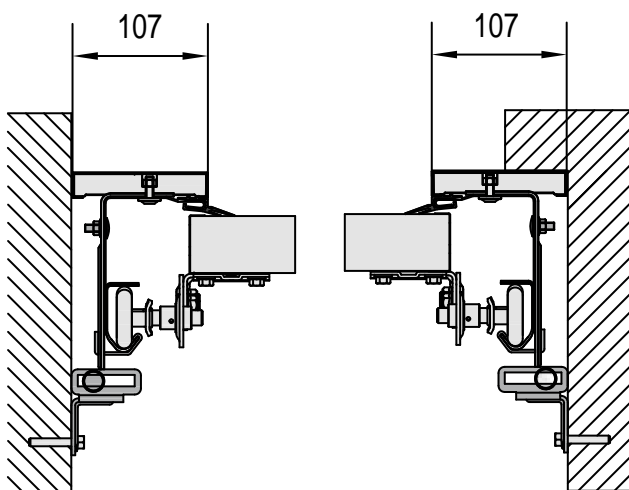
Монтаж перед проемом
Комплект FWO145



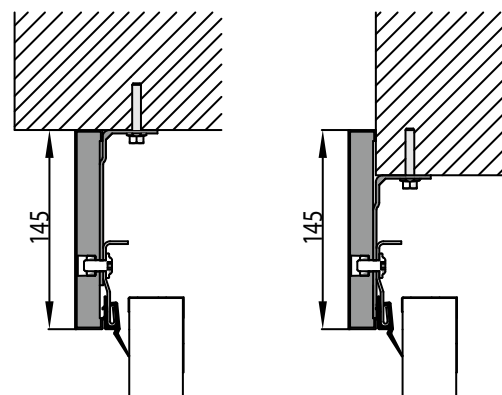
Монтаж в проеме
Комплект FWO100



Монтаж за проемом
Комплект FWO100



Комбинированный монтаж
Комплект FWO145/FWO100



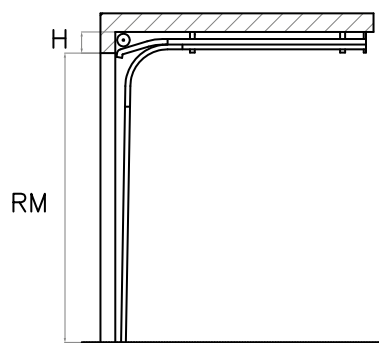
Установка декоративного нащельника
Комплект FWO100 Комплект FWO145

Размеры боковых заплечиков и верхней перемычки:

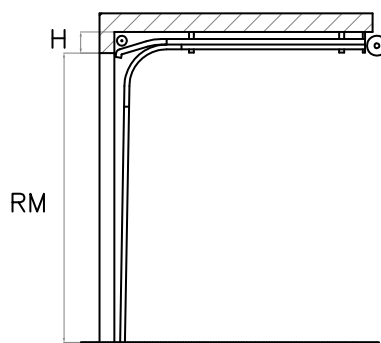
Боковые заплечики	0–125 мм
Верхняя перемычка	0–145 мм

ТИПЫ МОНТАЖА ПРОМЫШЛЕННЫХ СЕКЦИОННЫХ ВОРОТ СЕРИИ PROPLUS

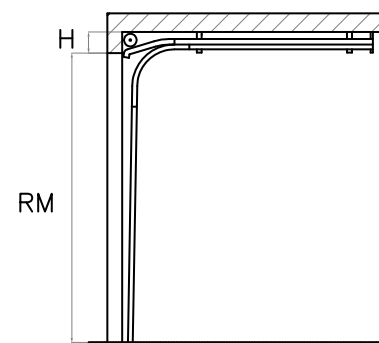
ОДНОВАЛЬНАЯ СИСТЕМА БАЛАНСИРОВКИ ПОЛОТНА ВОРОТ



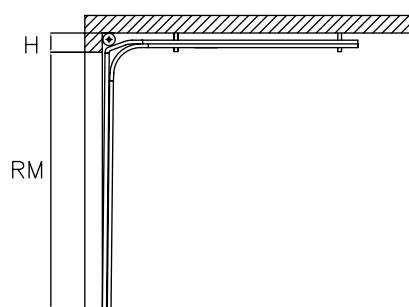
Стандартный тип монтажа



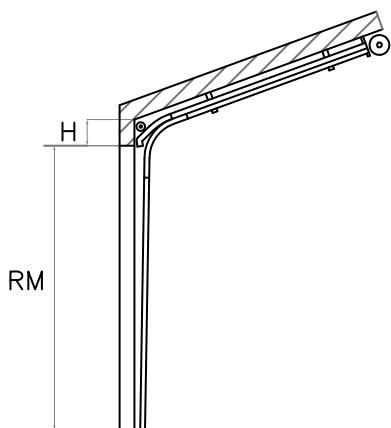
Низкий тип монтажа



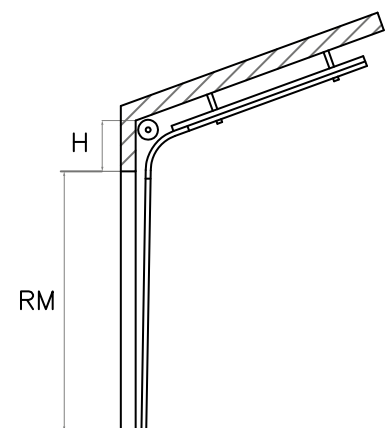
Низкий тип монтажа с передним расположением вала



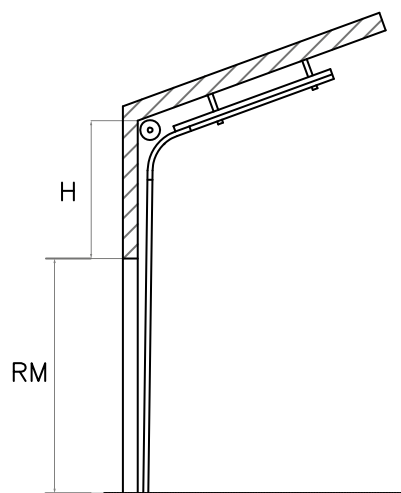
Низкий с передним расположением вала (тип 2) монтаж



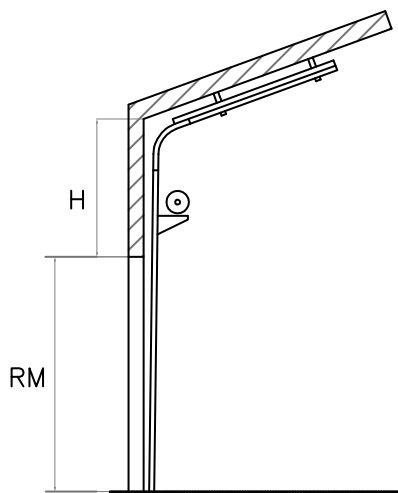
Наклонный низкий тип монтажа



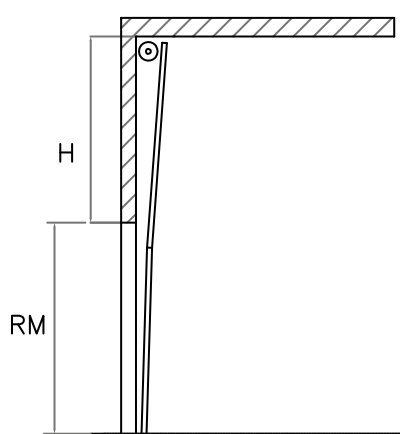
Наклонный тип монтажа



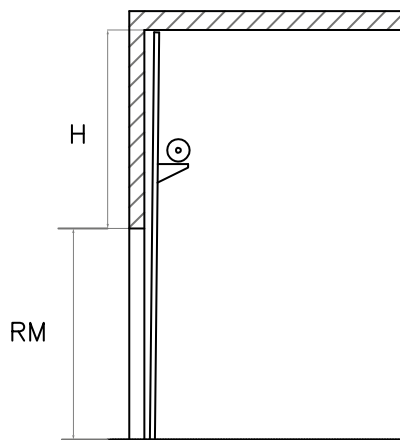
Наклонный высокий тип монтажа с верхним расположением вала



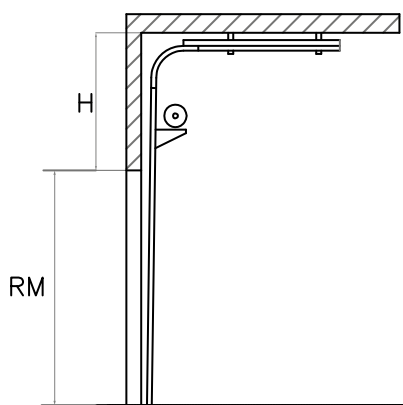
Наклонный высокий тип монтажа с нижним расположением вала



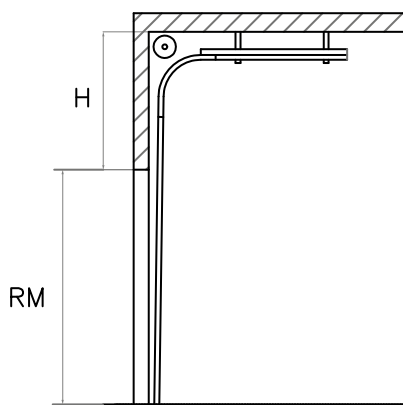
Вертикальный тип монтажа с верхним расположением вала



Вертикальный тип монтажа с нижним расположением вала



Высокий тип монтажа с нижним расположением вала



Высокий тип монтажа с верхним расположением вала

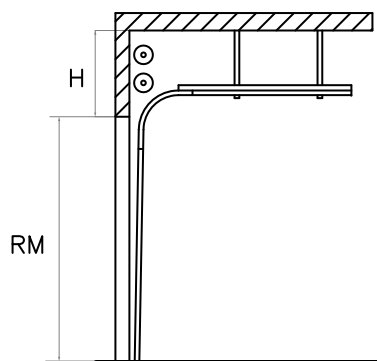
H — высота перемычки, мм

RM — высота проема, мм

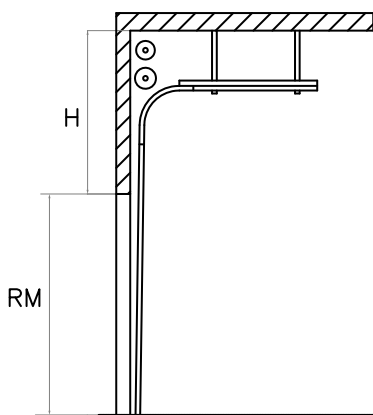
Тип монтажа	Минимальная высота перемычки (H), мм
Низкий	230
Стандартный	410
Высокий с верхним расположением вала	900
Высокий с нижним расположением вала	1795
Вертикальный с верхним расположением вала	RM + 340
Вертикальный с нижним расположением вала	RM + 340
Наклонный	490
Наклонный высокий с верхним расположением вала	900
Наклонный высокий с нижним расположением вала	1795
Наклонный низкий	275
Низкий с передним расположением вала	250
Низкий с передним расположением вала (тип 2)	260

ТИПЫ МОНТАЖА ПРОМЫШЛЕННЫХ СЕКЦИОННЫХ ВОРОТ СЕРИИ PROPLUS С ТОРСИОННЫМ ВАЛОМ

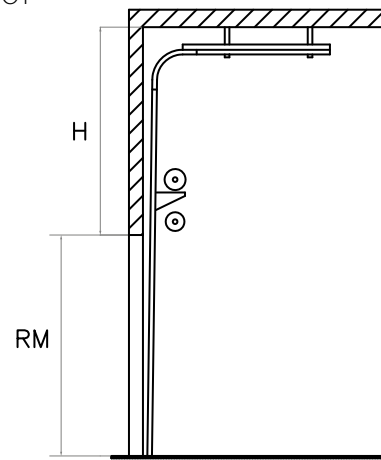
ДВУХВАЛЬНАЯ СИСТЕМА БАЛАНСИРОВКИ ПОЛОТНА ВОРОТ



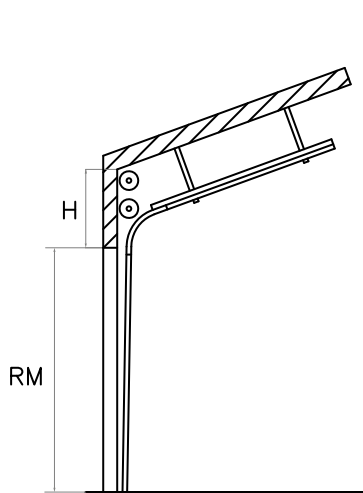
Стандартный тип монтажа



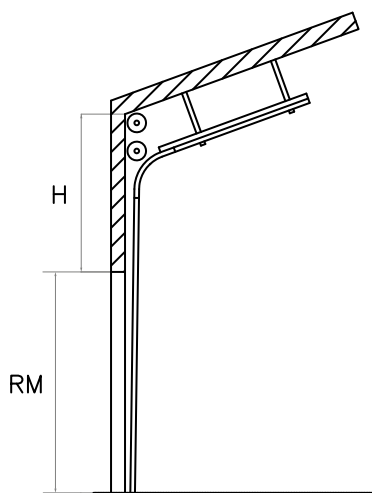
Высокий тип монтажа с верхним расположением валов



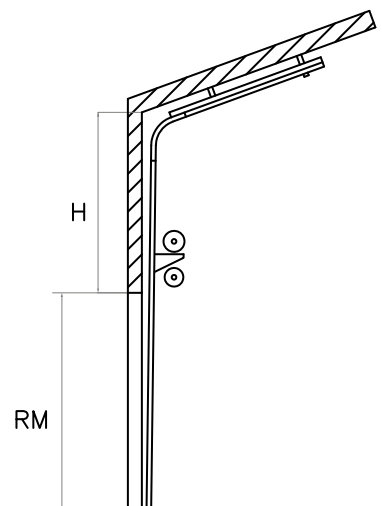
Высокий тип монтажа с нижним расположением валов



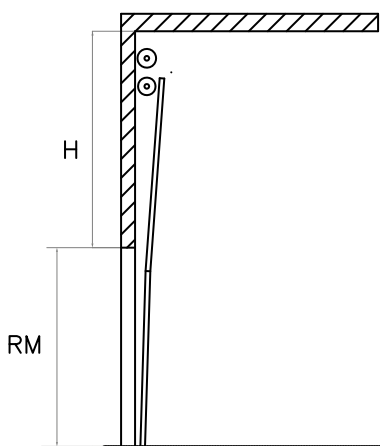
Наклонный тип монтажа



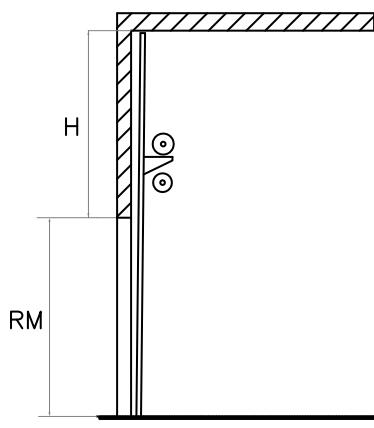
Наклонный высокий тип монтажа с верхним расположением валов



Наклонный высокий тип монтажа с нижним расположением валов



Вертикальный тип монтажа с верхним расположением валов



Вертикальный тип монтажа с нижним расположением валов

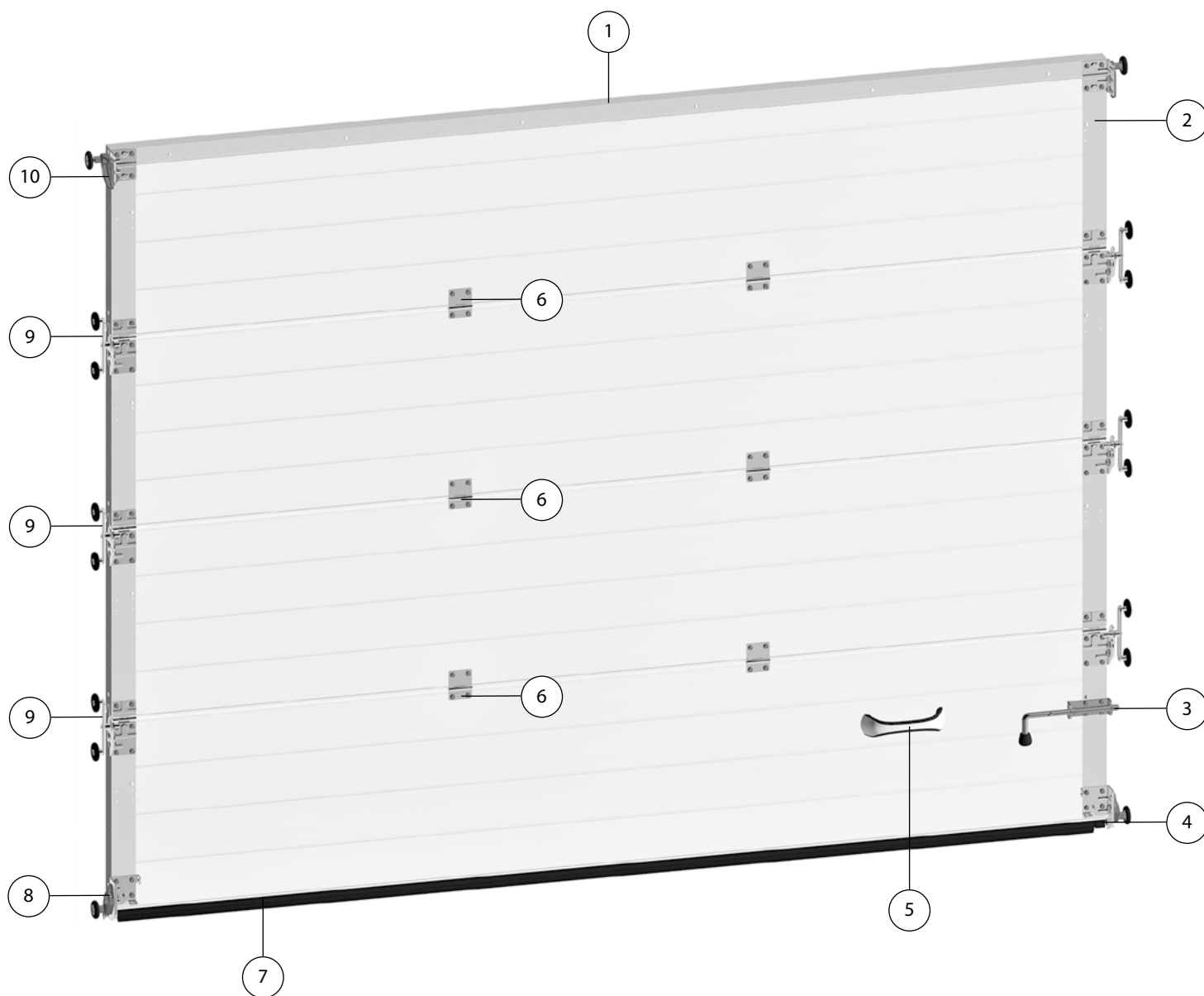
H — высота перемычки, мм
RM — высота проема, мм

Тип монтажа	Минимальная высота перемычки (H), мм
Стандартный	840
Высокий с верхним расположением валов	1275
Высокий с нижним расположением валов	2100
Наклонный	920
Наклонный высокий с верхним расположением валов	1275
Наклонный высокий с нижним расположением валов	2100
Вертикальный с верхним расположением валов	RM+590
Вертикальный с нижним расположением валов	RM+340

1.2

Полотно ворот

ТИПОВАЯ КОНСТРУКЦИЯ ПОЛОТНА ГАРАЖНЫХ ВОРОТ СЕРИИ PRESTIGE



№	Наименование
1	Профиль концевой (верхний)
2	Накладка боковая
3	Засов
4	Упор нижний
5	Ручка

№	Наименование
6	Петля промежуточная
7	Вставка уплотнительная (нижняя)
8	Кронштейн нижний
9	Кронштейн боковой
10	Кронштейн верхний

1.1

1.2

1.3

1.4

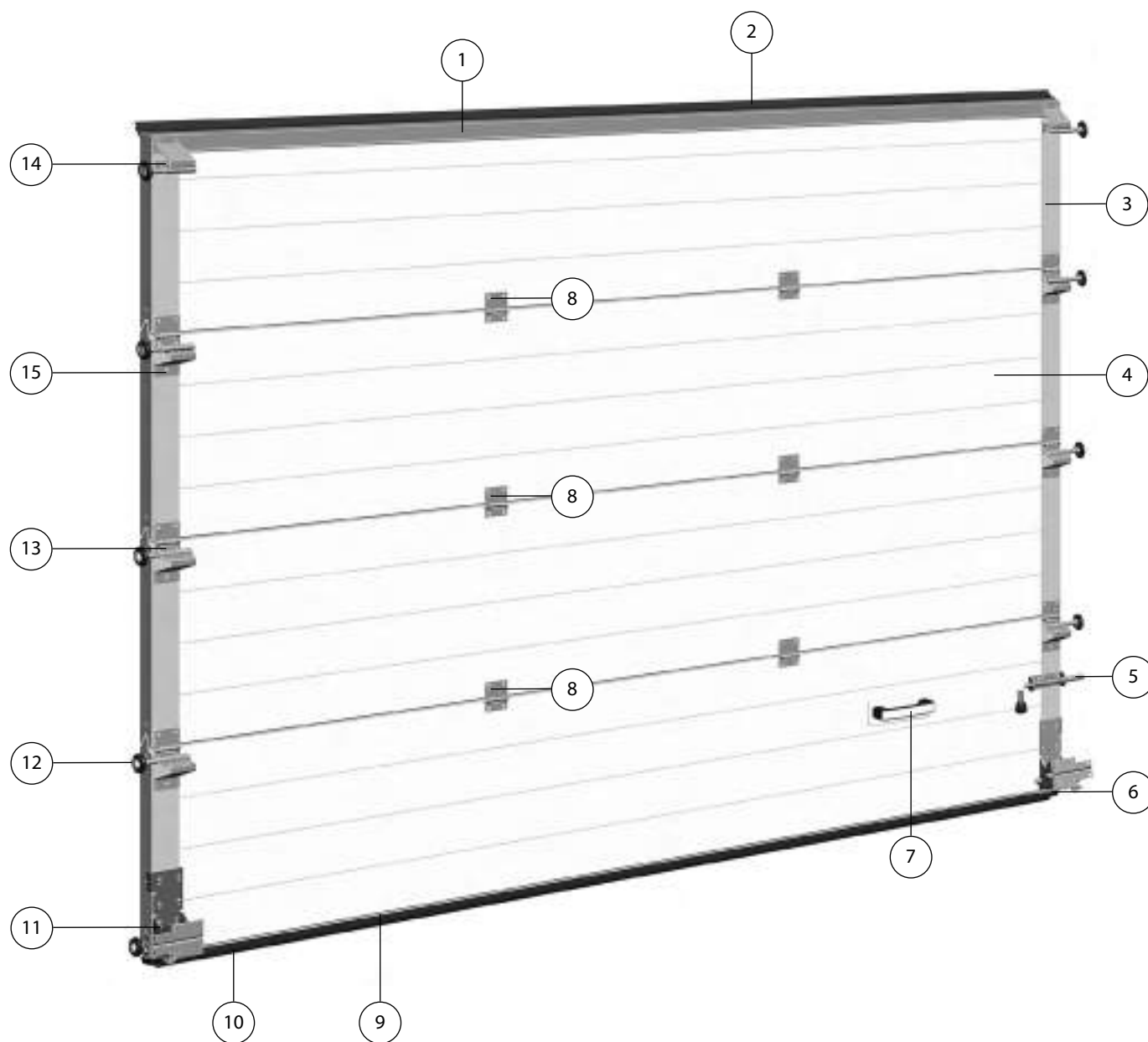
1.5

2

3

4

ТИПОВАЯ КОНСТРУКЦИЯ ПОЛОТНА ПРОМЫШЛЕННЫХ ВОРОТ СЕРИИ PROPLUS



№	Наименование
1	Профиль концевой (верхний)
2	Вставка уплотнительная (верхняя)
3	Накладка боковая
4	Сэндвич-панель
5	Засов

№	Наименование
6	Упор нижний
7	Ручка
8	Петля промежуточная
9	Профиль концевой (нижний)
10	Вставка уплотнительная (нижняя)

№	Наименование
11	Кронштейн нижний
12	Ролик ходовой
13	Накладка роликовая
14	Кронштейн верхний
15	Кронштейн боковой

КОНСТРУКЦИЯ СЭНДВИЧ-ПАНЕЛИ ТОЛЩИНОЙ 45 ММ С ЗАЩИТОЙ ОТ ЗАЩЕМЛЕНИЯ ПАЛЬЦЕВ



1.1

1.2

1.3

1.4

1.5

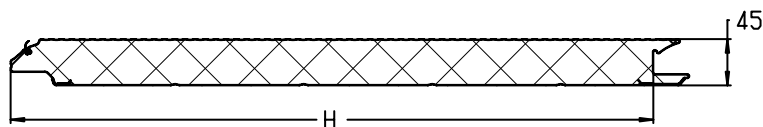
2

3

4

СЭНДВИЧ-ПАНЕЛИ С РИСУНКОМ МИКРОВОЛНА

СТРУКТУРА ПОВЕРХНОСТИ WOODGRAIN



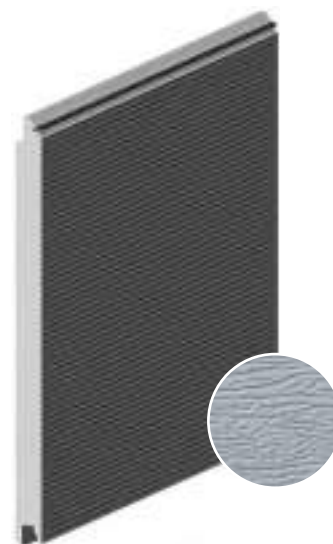
Панель воротная

Наружная сторона: структура поверхности woodgrain с рисунком микроволна.

Внутренняя сторона: структура поверхности woodgrain с горизонтальными полосами, цвет — бело-серый (близкий RAL 9002).

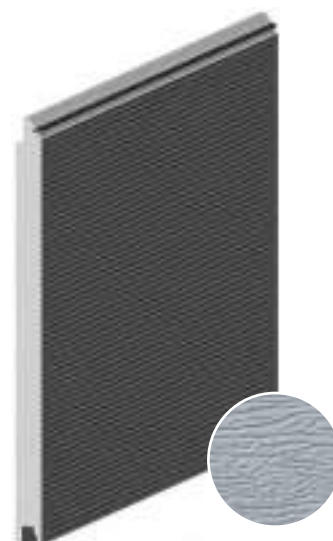
Высота панели, мм	500
Толщина панели, мм	45
Вес, кг/м	5,31
Единица измерения	м

Артикул	Код	Цвет*	Длина, м	Норма поставки, м
MW1.01-500	401040012	RAL 9016	12,2	268,4
MW1.02-500	401040017	RAL 8014		
MW1.03-500	401040011	RAL 9006		
MW1.04-500	401040014	RAL 5010		
MW1.09-500	401040021	RAL 6005		
MW1.10-500	401040020	RAL 1015		
MW1.12-500	401040113	RAL 3004		
MW1.14-500	401040028	ADS703		
MW1.16-500	401040029	RAL 7016		
MW1.20-500	401041519	RAL 8017		
MW1.25-500	409000144	RAL 9007		



Высота панели, мм	625
Толщина панели, мм	45
Вес, кг/м	6,38
Единица измерения	м

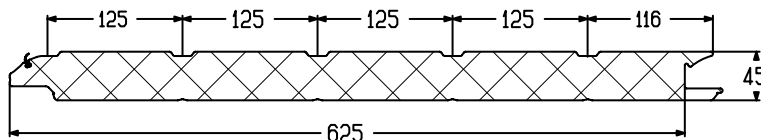
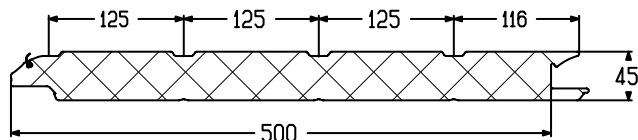
Артикул	Код	Цвет*	Длина, м	Норма поставки, м
MW1.01-625	401090012	RAL 9016	12,2	268,4
MW1.02-625	401090017	RAL 8014		
MW1.03-625	401090011	RAL 9006		
MW1.04-625	401090014	RAL 5010		
MW1.09-625	401000321	RAL 6005		
MW1.10-625	401000320	RAL 1015		
MW1.12-625	401090113	RAL 3004		
MW1.14-625	401090028	ADS703		
MW1.16-625	401090229	RAL 7016		
MW1.20-625	401091219	RAL 8017		
MW1.25-625	409000143	RAL 9007		



* Указанные в формате RAL **** цвета имеют близкое соответствие шкале RAL.

СЭНДВИЧ-ПАНЕЛИ С РИСУНКОМ S-ГОФР

СТРУКТУРА ПОВЕРХНОСТИ WOODGRAIN



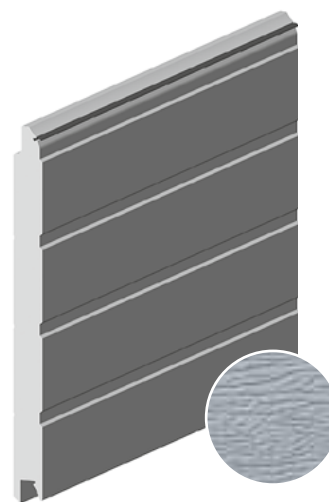
Панель воротная

Наружная сторона: структура поверхности woodgrain с рисунком S-гофр (узкий гофр).

Внутренняя сторона: структура поверхности woodgrain с горизонтальными полосами, цвет — бело-серый (близкий RAL 9002).

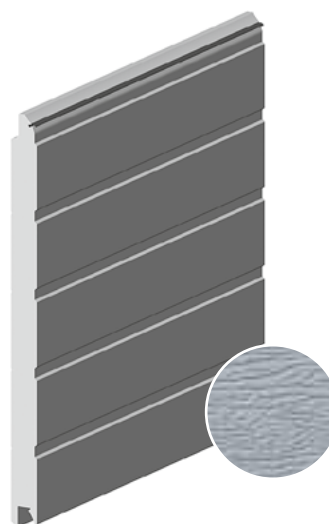
Высота панели, мм	500
Толщина панели, мм	45
Вес, кг/м	5,37
Единица измерения	м

Артикул	Код	Цвет*	Длина, м	Норма поставки, м
RS1.01-500	401040112	RAL 9016	12,2	268,4
RS1.02-500	401040117	RAL 8014		
RS1.03-500	401040111	RAL 9006		
RS1.04-500	401040114	RAL 5010		
RS1.09-500	401040121	RAL 6005		
RS1.10-500	401040120	RAL 1015		
RS1.12-500	401040213	RAL 3004		
RS1.14-500	401040128	ADS703		
RS1.16-500	401041029	RAL 7016		
RS1.18-500	409000669	RAL 9005		
RS1.20-500	401041419	RAL 8017		
RS1.25-500	409000146	RAL 9007		
RS1.26-500	409000714	RAL 8019		
RS1.27-500	409000712	RAL 7024		



Высота панели, мм	625
Толщина панели, мм	45
Вес, кг/м	6,43
Единица измерения	м

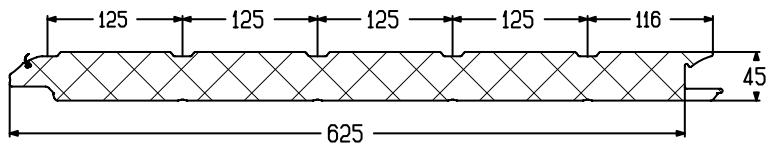
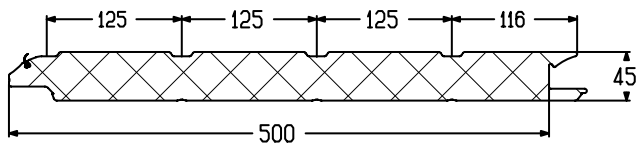
Артикул	Код	Цвет*	Длина, м	Норма поставки, м
RS1.01-625	401090112	RAL 9016	12,2	268,4
RS1.02-625	401090117	RAL 8014		
RS1.03-625	401090111	RAL 9006		
RS1.04-625	401090114	RAL 5010		
RS1.09-625	401000421	RAL 6005		
RS1.10-625	401000420	RAL 1015		
RS1.12-625	401090213	RAL 3004		
RS1.14-625	401090128	ADS703		
RS1.16-625	401090329	RAL 7016		
RS1.18-625	409000670	RAL 9005		
RS1.20-625	401091119	RAL 8017		
RS1.25-625	409000145	RAL 9007		
RS1.26-625	409000715	RAL 8019		
RS1.27-625	409000713	RAL 7024		



* Указанные в формате RAL **** цвета имеют близкое соответствие шкале RAL.

СЭНДВИЧ-ПАНЕЛИ С РИСУНКОМ S-ГОФР

СТРУКТУРА ПОВЕРХНОСТИ ГЛАДКАЯ



Панель воротная

Наружная сторона: структура поверхности гладкая с рисунком S-гофр (узкий гофр).

Внутренняя сторона: структура поверхности woodgrain с горизонтальными полосами, цвет — бело-серый (близкий RAL 9002).

Высота панели, мм	500
Толщина панели, мм	45
Вес, кг/м	5,00
Единица измерения	м

Артикул	Код	Цвет	Длина, м	Норма поставки, м
RS0.05-500	401040205	Golden Oak	9,2	202,4
RS0.06-500	401040206	Dark Oak		



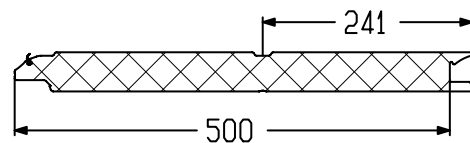
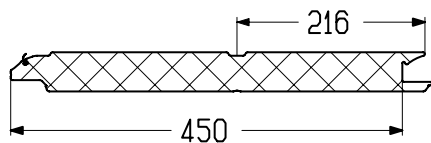
Высота панели, мм	625
Толщина панели, мм	45
Вес, кг/м	6,57
Единица измерения	м

Артикул	Код	Цвет	Длина, м	Норма поставки, м
RS0.05-625	401090105	Golden Oak	9,2	202,4
RS0.06-625	401090106	Dark Oak		



СЭНДВИЧ-ПАНЕЛИ С РИСУНКОМ М-ГОФР

СТРУКТУРА ПОВЕРХНОСТИ WOODGRAIN



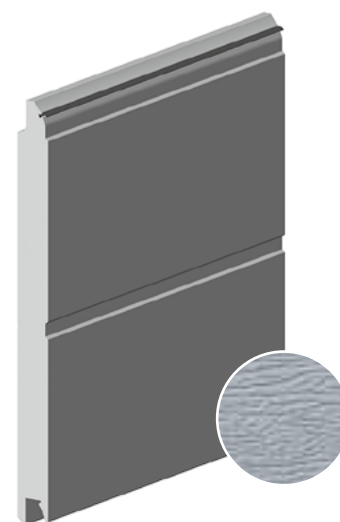
Панель воротная

Наружная сторона: структура поверхности woodgrain с рисунком М-гофр (средний гофр).

Внутренняя сторона: структура поверхности woodgrain с горизонтальными полосами, цвет — бело-серый (близкий RAL 9002).

Толщина панели, мм 45
Единица измерения м

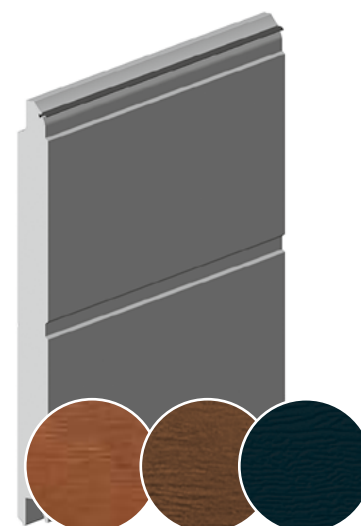
Артикул	Код	Цвет*	Высота панели, мм	Вес, кг/м	Длина, м	Норма поставки, м
RM1.01-450	401020612	RAL 9016	450	4,83	9,2	202,4
RM1.01-500	401020712		500	5,37		
RM1.20-450	409000718	RAL 8017	450	4,83		
RM1.20-500	409000719		500	5,37		
RM1.26-450	409000720	RAL 8019	450	4,83		
RM1.26-500	409000721		500	5,37		
RM1.27-450	409000716	RAL 7024	450	4,83		
RM1.27-500	409000717		500	5,37		



СТРУКТУРА ПОВЕРХНОСТИ ГЛАДКАЯ

Толщина панели, мм 45
Единица измерения м

Артикул	Код	Цвет*	Высота панели, мм	Вес, кг/м	Длина, м	Норма поставки, м
RM0.01-450	401021812	RAL 9016	450	4,96	9,2	202,4
RM0.01-500	401043112		500	5,50		
RM0.05-450	401020105	Golden Oak	450	4,96		
RM0.05-500	401020205		500	5,50		
RM0.06-450	401022906	Dark Oak	450	4,96		
RM0.06-500	401043106		500	5,50		
RM0.16-450	401020429	RAL 7016	450	4,96		
RM0.16-500	401040729		500	5,50		
RM0.24-450	401020182	ADS704	450	5,42		
RM0.24-500	401040182		500	5,74		

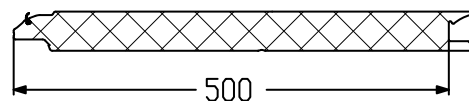
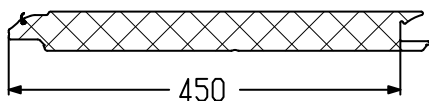


Golden Oak Dark Oak ADS704

* Указанные в формате RAL **** цвета имеют близкое соответствие шкале RAL.

СЭНДВИЧ-ПАНЕЛИ С РИСУНКОМ L-ГОФР

СТРУКТУРА ПОВЕРХНОСТИ WOODGRAIN



Панель воротная

Наружная сторона: структура поверхности woodgrain с рисунком L-гофр (широкий гофр).

Внутренняя сторона: структура поверхности woodgrain с горизонтальными полосами, цвет — бело-серый (близкий RAL 9002).

Толщина панели, мм 45
Единица измерения м

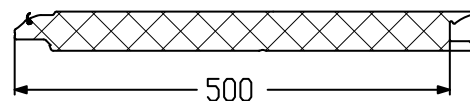
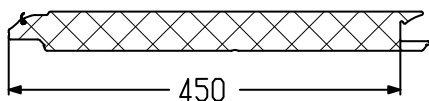
Артикул	Код	Цвет*	Высота панели, мм	Вес, кг/м	Длина, м	Норма поставки, м
RL1.01-450	401040912	RAL 9016	450	4,78	9,2	202,4
RL1.01-500	401041012		500	5,31		
RL1.20-450	409000722	RAL 8017	450	4,78		
RL1.20-500	409000723		500	5,31		
RL1.26-450	409000724	RAL 8019	450	4,78		
RL1.26-500	409000725		500	5,31		



* Указанные в формате RAL **** цвета имеют близкое соответствие шкале RAL.

СЭНДВИЧ-ПАНЕЛИ С РИСУНКОМ L-ГОФР

СТРУКТУРА ПОВЕРХНОСТИ ГЛАДКАЯ



Панель воротная

Наружная сторона: структура поверхности гладкая с рисунком L-гофр (широкий гофр).

Внутренняя сторона: структура поверхности woodgrain с горизонтальными полосами, цвет — бело-серый (близкий RAL 9002).

Толщина панели, мм 45
Единица измерения м

Артикул	Код	Цвет*	Высота панели, мм	Вес, кг/м	Длина, м	Норма поставки, м
RL0.01-450	401021912	RAL 9016	450	4,90	9,2	202,4
RL0.01-500	401043212		500	5,44		
RL0.05-450	401042105	Golden Oak	450	4,90		
RL0.05-500	401042205		500	5,44		
RL0.06-450	401023006	Dark Oak	450	4,90		
RL0.06-500	401043206		500	5,44		
RL0.14-450	401020028	ADS703	450	4,90		
RL0.14-500	401040428		500	5,44		
RL0.16-450	401020529	RAL 7016	450	4,90		
RL0.16-500	401040829		500	5,44		
RL0.18-450	409000160	RAL 9005	450	4,90		
RL0.18-500	409000162		500	5,44		
RL0.20-450	409000728	RAL 8017	450	4,90		
RL0.20-500	409000729		500	5,44		
RL0.24-450	401020282	ADS704	450	5,42		
RL0.24-500	401040282		500	5,74		
RL0.25-450	409000147	RAL 9007	450	4,90		
RL0.25-500	409000148		500	5,44		
RL0.27-450	409000726	RAL 7024	450	4,90		
RL0.27-500	409000727		500	5,44		

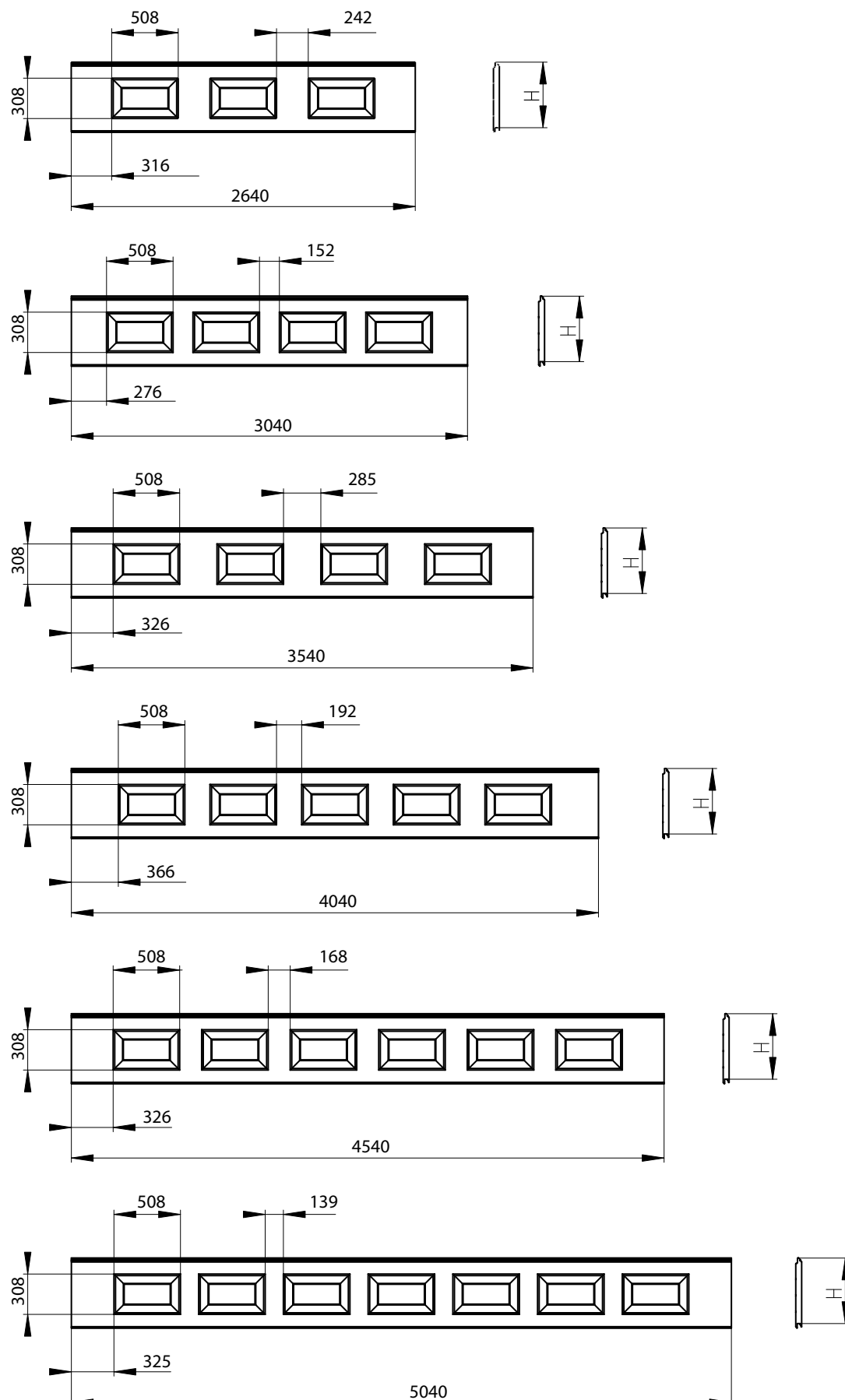


Golden Oak Dark Oak ADS704

* Указанные в формате RAL **** цвета имеют близкое соответствие шкале RAL.

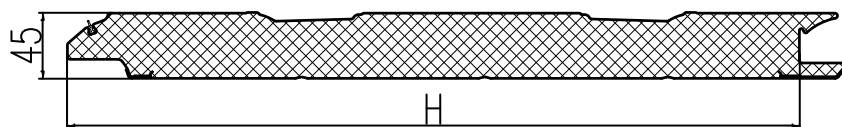
СЭНДВИЧ-ПАНЕЛИ С РИСУНКОМ ФИЛЕНКА

СХЕМАТИЧЕСКОЕ ИЗОБРАЖЕНИЕ



СЭНДВИЧ-ПАНЕЛИ С РИСУНКОМ ФИЛЕНКА

СТРУКТУРА ПОВЕРХНОСТИ WOODGRAIN



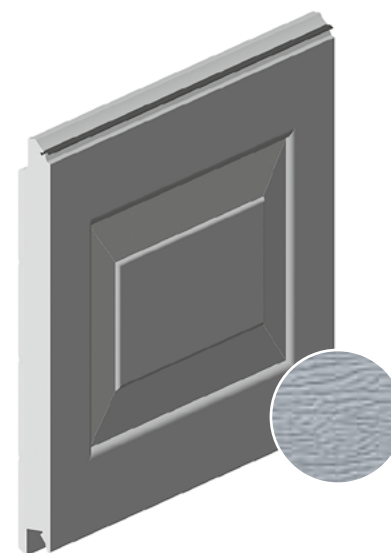
Панель воротная

Наружная сторона: структура поверхности woodgrain с рисунком филенка.

Внутренняя сторона: структура поверхности woodgrain с горизонтальными полосами, цвет — бело-серый (близкий RAL 9002).

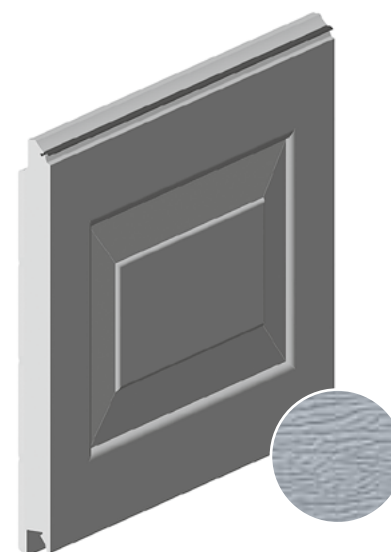
Высота панели, мм	425
Толщина панели, мм	45
Вес, кг/м	4,68
Единица измерения	м

Артикул	Код	Цвет*	Длина, м	Норма поставки, м
СТ1.01-425-2640	409000566	RAL 9016	2,64	58,08
СТ1.01-425-3040	409000567		3,04	66,88
СТ1.01-425-3540	409000568		3,54	77,88
СТ1.01-425-4040	409000569		4,04	88,88
СТ1.01-425-4540	409000570		4,54	99,88
СТ1.02-425-2640	409000591	RAL 8014	2,64	58,08
СТ1.02-425-3040	409000592		3,04	66,88
СТ1.02-425-3540	409000593		3,54	77,88
СТ1.02-425-4040	409000594		4,04	88,88
СТ1.02-425-4540	409000595		4,54	99,88



Высота панели, мм	450
Толщина панели, мм	45
Вес, кг/м	4,89
Единица измерения	м

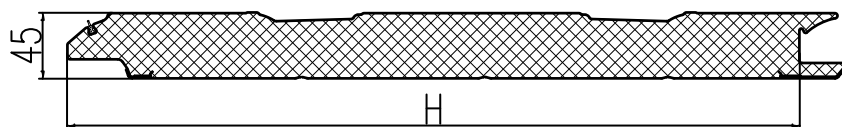
Артикул	Код	Цвет*	Длина, м	Норма поставки, м
СТ1.01-450-2640	409000571	RAL 9016	2,64	58,08
СТ1.01-450-3040	409000572		3,04	66,88
СТ1.01-450-3540	409000573		3,54	77,88
СТ1.01-450-4040	409000574		4,04	88,88
СТ1.01-450-4540	409000575		4,54	99,88
СТ1.02-450-2640	409000596	RAL 8014	2,64	58,08
СТ1.02-450-3040	409000597		3,04	66,88
СТ1.02-450-3540	409000598		3,54	77,88
СТ1.02-450-4040	409000599		4,04	88,88
СТ1.02-450-4540	409000600		4,54	99,88



* Указанные в формате RAL **** цвета имеют близкое соответствие шкале RAL.

СЭНДВИЧ-ПАНЕЛИ С РИСУНКОМ ФИЛЕНКА

СТРУКТУРА ПОВЕРХНОСТИ WOODGRAIN



Панель воротная

Наружная сторона: структура поверхности woodgrain с рисунком филенка.

Внутренняя сторона: структура поверхности woodgrain с горизонтальными полосами,
цвет — бело-серый (близкий RAL 9002).

Высота панели, мм	475
Толщина панели, мм	45
Вес, кг/м	5,10
Единица измерения	м

Артикул	Код	Цвет*	Длина, м	Норма поставки, м
СТ1.01-475-2640	409000576	RAL 9016	2,64	58,08
СТ1.01-475-3040	409000577		3,04	66,88
СТ1.01-475-3540	409000578		3,54	77,88
СТ1.01-475-4040	409000579		4,04	88,88
СТ1.01-475-4540	409000580		4,54	99,88
СТ1.02-475-2640	409000601	RAL 8014	2,64	58,08
СТ1.02-475-3040	409000602		3,04	66,88
СТ1.02-475-3540	409000603		3,54	77,88
СТ1.02-475-4040	409000604		4,04	88,88
СТ1.02-475-4540	409000605		4,54	99,88



Высота панели, мм	500
Толщина панели, мм	45
Вес, кг/м	5,31
Единица измерения	м

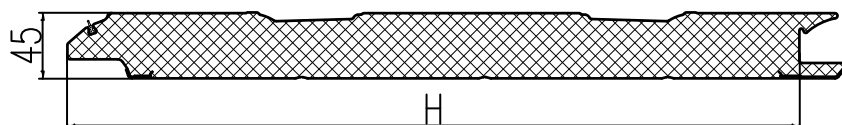
Артикул	Код	Цвет*	Длина, м	Норма поставки, м
СТ1.01-500-2640	409000581	RAL 9016	2,64	58,08
СТ1.01-500-3040	409000582		3,04	66,88
СТ1.01-500-3540	409000583		3,54	77,88
СТ1.01-500-4040	409000584		4,04	88,88
СТ1.01-500-4540	409000585		4,54	99,88
СТ1.02-500-2640	409000606	RAL 8014	2,64	58,08
СТ1.02-500-3040	409000607		3,04	66,88
СТ1.02-500-3540	409000608		3,54	77,88
СТ1.02-500-4040	409000609		4,04	88,88
СТ1.02-500-4540	409000610		4,54	99,88



* Указанные в формате RAL **** цвета имеют близкое соответствие шкале RAL.

СЭНДВИЧ-ПАНЕЛИ С РИСУНКОМ ФИЛЕНКА

СТРУКТУРА ПОВЕРХНОСТИ WOODGRAIN



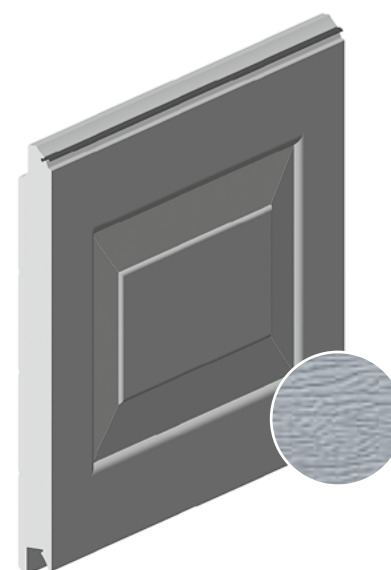
Панель воротная

Наружная сторона: структура поверхности woodgrain с рисунком филенка.

Внутренняя сторона: структура поверхности woodgrain с горизонтальными полосами, цвет — бело-серый (близкий RAL 9002).

Высота панели, мм	525
Толщина панели, мм	45
Вес, кг/м	5,53
Единица измерения	м

Артикул	Код	Цвет*	Длина, м	Норма поставки, м
СТ1.01-525-2640	409000586	RAL 9016	2,64	58,08
СТ1.01-525-3040	409000587		3,04	66,88
СТ1.01-525-3540	409000588		3,54	77,88
СТ1.01-525-4040	409000589		4,04	88,88
СТ1.01-525-4540	409000590		4,54	99,88
СТ1.02-525-2640	409000611	RAL 8014	2,64	58,08
СТ1.02-525-3040	409000612		3,04	66,88
СТ1.02-525-3540	409000613		3,54	77,88
СТ1.02-525-4040	409000614		4,04	88,88
СТ1.02-525-4540	409000615		4,54	99,88



Высота панели, мм	425
Толщина панели, мм	45
Вес, кг/м	4,79
Единица измерения	м

Артикул	Код	Цвет*	Длина, м	Норма поставки, м
СТ0.05-425-2640	409000616	Golden Oak	2,64	58,08
СТ0.05-425-3040	409000617		3,04	66,88
СТ0.05-425-3540	409000618		3,54	77,88
СТ0.05-425-4040	409000619		4,04	88,88
СТ0.05-425-4540	409000620		4,54	99,88
СТ0.06-425-2640	409000641	Dark Oak	2,64	58,08
СТ0.06-425-3040	409000642		3,04	66,88
СТ0.06-425-3540	409000643		3,54	77,88
СТ0.06-425-4040	409000644		4,04	88,88
СТ0.06-425-4540	409000645		4,54	99,88

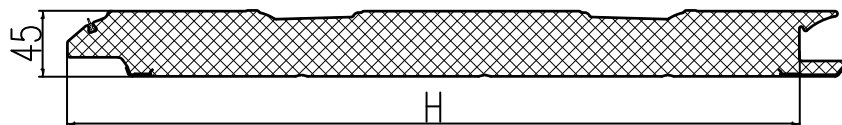


Golden Oak Dark Oak

* Указанные в формате RAL **** цвета имеют близкое соответствие шкале RAL.

СЭНДВИЧ-ПАНЕЛИ С РИСУНКОМ ФИЛЕНКА

СТРУКТУРА ПОВЕРХНОСТИ WOODGRAIN



Панель воротная

Наружная сторона: структура поверхности woodgrain с рисунком филенка.

Внутренняя сторона: структура поверхности woodgrain с горизонтальными полосами, цвет — бело-серый (близкий RAL 9002).

Высота панели, мм	450
Толщина панели, мм	45
Вес, кг/м	5,01
Единица измерения	м

Артикул	Код	Цвет*	Длина, м	Норма поставки, м
СТ0.05-450-2640	409000621	Golden Oak	2,64	58,08
СТ0.05-450-3040	409000622		3,04	66,88
СТ0.05-450-3540	409000623		3,54	77,88
СТ0.05-450-4040	409000624		4,04	88,88
СТ0.05-450-4540	409000625		4,54	99,88
СТ0.06-450-2640	409000646	Dark Oak	2,64	58,08
СТ0.06-450-3040	409000647		3,04	66,88
СТ0.06-450-3540	409000648		3,54	77,88
СТ0.06-450-4040	409000649		4,04	88,88
СТ0.06-450-4540	409000650		4,54	99,88



Golden Oak Dark Oak

Высота панели, мм	475
Толщина панели, мм	45
Вес, кг/м	5,22
Единица измерения	м

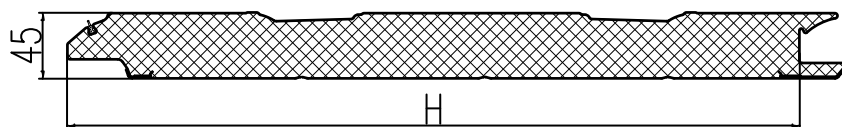
Артикул	Код	Цвет*	Длина, м	Норма поставки, м
СТ0.05-475-2640	409000626	Golden Oak	2,64	58,08
СТ0.05-475-3040	409000627		3,04	66,88
СТ0.05-475-3540	409000628		3,54	77,88
СТ0.05-475-4040	409000629		4,04	88,88
СТ0.05-475-4540	409000630		4,54	99,88
СТ0.06-475-2640	409000651	Dark Oak	2,64	58,08
СТ0.06-475-3040	409000652		3,04	66,88
СТ0.06-475-3540	409000653		3,54	77,88
СТ0.06-475-4040	409000654		4,04	88,88
СТ0.06-475-4540	409000655		4,54	99,88



Golden Oak Dark Oak

СЭНДВИЧ-ПАНЕЛИ С РИСУНКОМ ФИЛЕНКА

СТРУКТУРА ПОВЕРХНОСТИ WOODGRAIN



Панель воротная

Наружная сторона: структура поверхности woodgrain с рисунком филенка.

Внутренняя сторона: структура поверхности woodgrain с горизонтальными полосами, цвет — бело-серый (близкий RAL 9002).

Высота панели, мм	500
Толщина панели, мм	45
Вес, кг/м	5,43
Единица измерения	м

Артикул	Код	Цвет*	Длина, м	Норма поставки, м
СТ0.05-500-2640	409000631	Golden Oak	2,64	58,08
СТ0.05-500-3040	409000632		3,04	66,88
СТ0.05-500-3540	409000633		3,54	77,88
СТ0.05-500-4040	409000634		4,04	88,88
СТ0.05-500-4540	409000635		4,54	99,88
СТ0.06-500-2640	409000656	Dark Oak	2,64	58,08
СТ0.06-500-3040	409000657		3,04	66,88
СТ0.06-500-3540	409000658		3,54	77,88
СТ0.06-500-4040	409000659		4,04	88,88
СТ0.06-500-4540	409000660		4,54	99,88



Высота панели, мм	525
Толщина панели, мм	45
Вес, кг/м	5,65
Единица измерения	м

Артикул	Код	Цвет*	Длина, м	Норма поставки, м
СТ0.05-525-2640	409000636	Golden Oak	2,64	58,08
СТ0.05-525-3040	409000637		3,04	66,88
СТ0.05-525-3540	409000638		3,54	77,88
СТ0.05-525-4040	409000639		4,04	88,88
СТ0.05-525-4540	409000640		4,54	99,88
СТ0.06-525-2640	409000661	Dark Oak	2,64	58,08
СТ0.06-525-3040	409000662		3,04	66,88
СТ0.06-525-3540	409000663		3,54	77,88
СТ0.06-525-4040	409000664		4,04	88,88
СТ0.06-525-4540	409000665		4,54	99,88



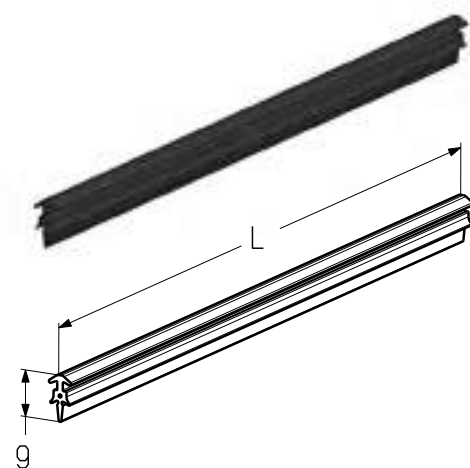
ВСТАВКА УПЛОТНИТЕЛЬНАЯ

Вставка уплотнительная

Предназначена для установки совместно с сэндвич-панелями всех типов.

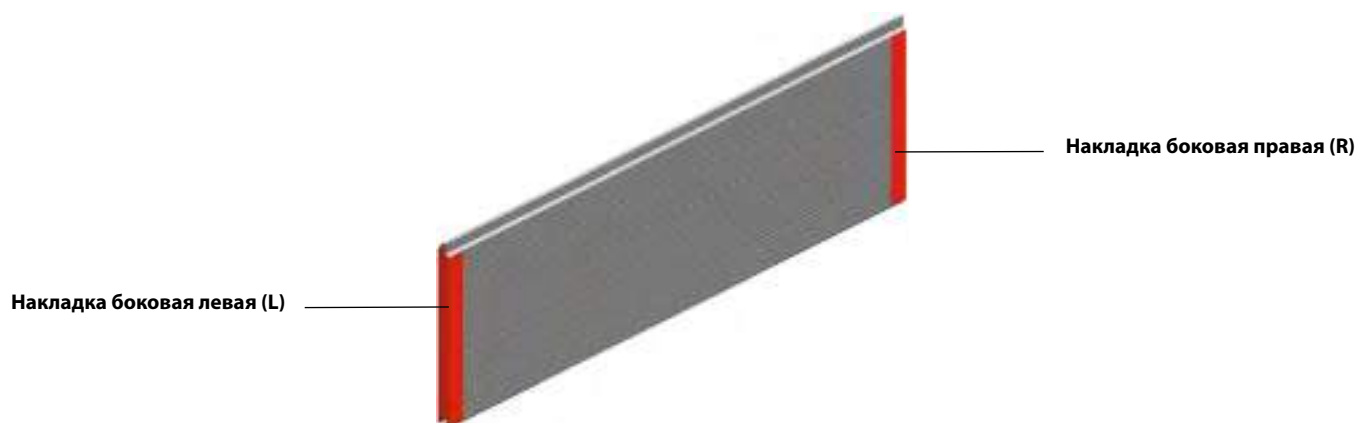
Материал EPDM
 Вес, кг/м 0,13
 Единица измерения м
 Норма поставки, м 2000

Артикул	Код
RSP16	401530600



НАКЛАДКИ БОКОВЫЕ

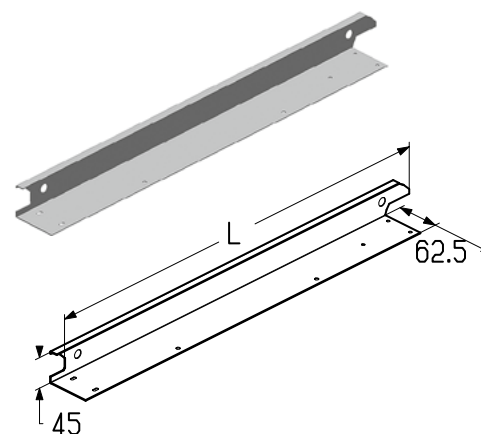
УСТАНОВКА НАКЛАДОК БОКОВЫХ



Накладка боковая

Предназначена для установки на торцы сэндвич-панели.
Используется в гаражных воротах с торсионными пружинами и пружинами растяжения, промышленных воротах шириной до 5000 мм.

Материал оцинкованная сталь
 Покрытие полимерное
 Цвет бело-серый (близкий RAL 9002)
 Толщина, мм 1
 Единица измерения шт.

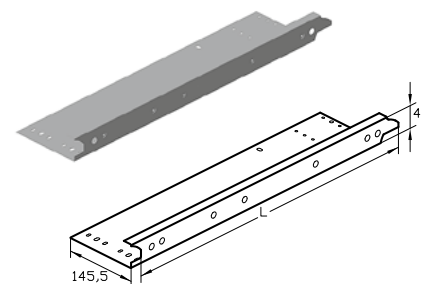


Артикул	Код	Длина (L), мм	Вес, кг/шт.	Норма поставки, шт.
EC-45.425L	401310710	425	0,38	64
EC-45.425R	401310810			
EC-45.450L	401320910	450	0,40	
EC-45.450R	401321010			
EC-45.475L	401330710	475	0,42	
EC-45.475R	401330810			
EC-45.500L	401341110	500	0,44	
EC-45.500R	401341210			
EC-45.525L	401350710	525	0,46	
EC-45.525R	401350810			
EC-45.625L	401391110	625	0,55	52
EC-45.625R	401391210			

Накладка боковая

Предназначена для установки на торцы сэндвич-панели.
Используется в гаражных воротах с торсионными пружинами и промышленных воротах шириной более 5000 мм.

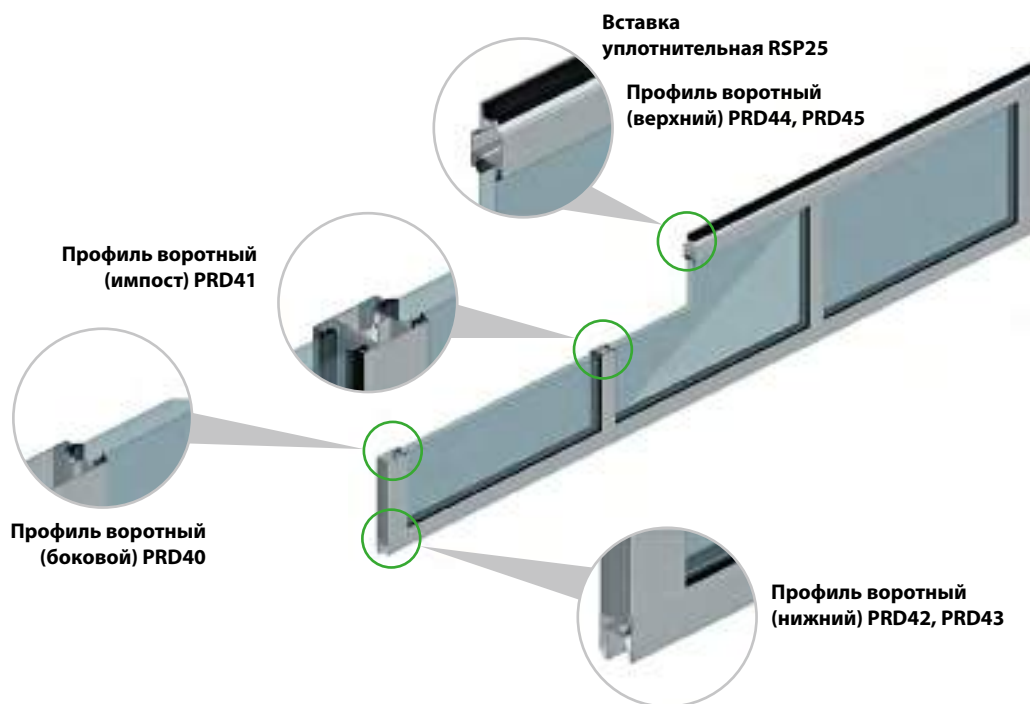
Материал оцинкованная сталь
 Покрытие полимерное
 Цвет бело-серый (близкий RAL 9002)
 Толщина, мм 1
 Единица измерения шт.



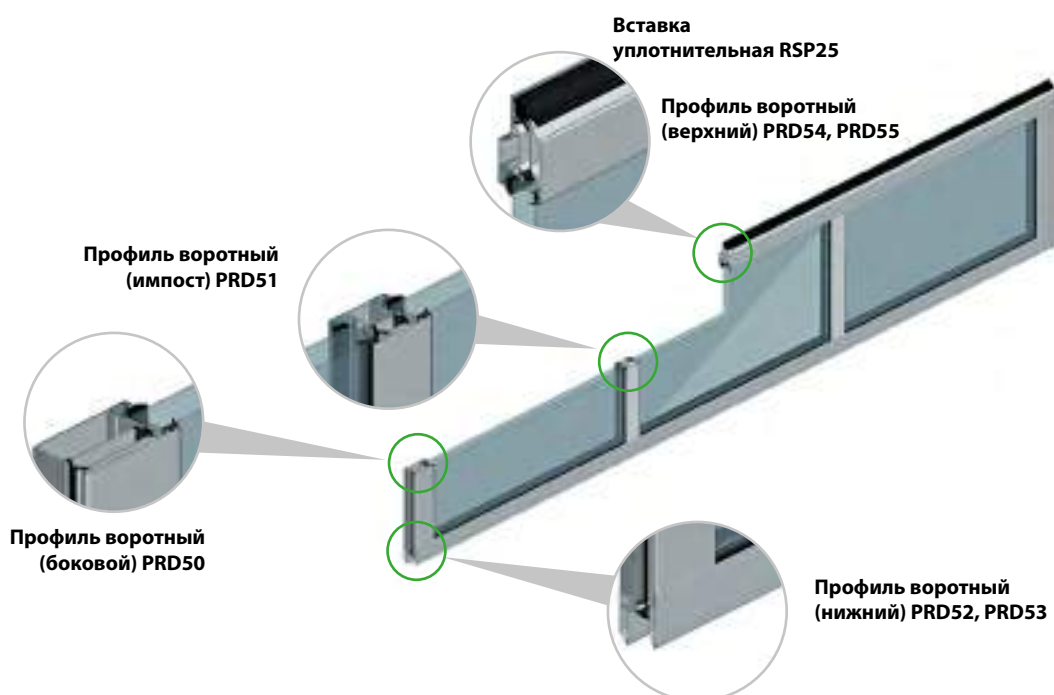
Артикул	Код	Длина (L), мм	Вес, кг/шт.	Норма поставки, шт.
EC-45.450DL	401321110	450	0,64	36
EC-45.450DR	401321210			
EC-45.500DL	401341310	500	0,72	
EC-45.500DR	401341410			
EC-45.625DL	401391310	625	0,92	24
EC-45.625DR	401391410			

АЛЮМИНИЕВЫЕ ПРОФИЛИ ДЛЯ ПАНОРАМНЫХ ПАНЕЛЕЙ

ТИПОВАЯ КОНСТРУКЦИЯ ПАНОРАМНОЙ ПАНЕЛИ ALUPRO



ТИПОВАЯ КОНСТРУКЦИЯ ПАНОРАМНОЙ ПАНЕЛИ ALUTHERM



АЛЮМИНИЕВЫЕ ПРОФИЛИ ДЛЯ ПАНОРАМНЫХ ПАНЕЛЕЙ

ТИПЫ ПАНОРАМНЫХ ПАНЕЛЕЙ И ВАРИАНТЫ ЗАПОЛНЕНИЯ
СЕРИЯ ALUPRO

Двойное SAN-остекление
26 мм



Одинарное SAN-остекление
2 мм



Композитное заполнение
26 мм



Композитное заполнение
3 мм



Решетчатое заполнение
4 мм

ТИПЫ ПАНОРАМНЫХ ПАНЕЛЕЙ И ВАРИАНТЫ ЗАПОЛНЕНИЯ
СЕРИЯ ALUTHERM

Тройное SAN-остекление
26 мм



Двойное SAN-остекление
26 мм



Композитное заполнение
26 мм

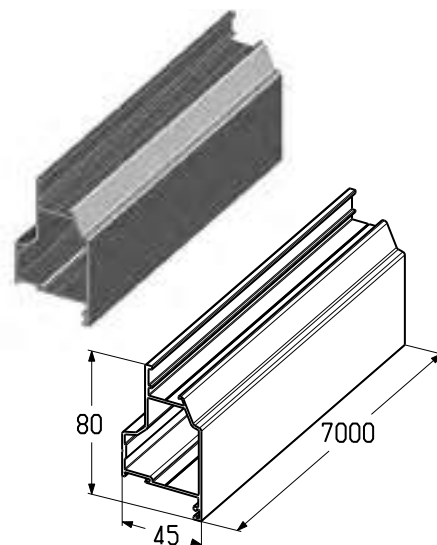
АЛЮМИНИЕВЫЕ ПРОФИЛИ ДЛЯ ПАНОРАМНЫХ ПАНЕЛЕЙ

Профиль воротный (верхний)

Используется для изготовления панорамных панелей AluPro.
Применяется совместно с сэндвич-панелью с рисунком микроволна.

Материал алюминий
Длина, мм 7000
Вес, кг/м 0,95
Единица измерения м
Норма поставки, м 28

Артикул	Код	Покрытие	Цвет Степень блеска
PRD44	481002400	Порошковое	RAL 9016 30
	481002100		RAL 9006 30
	481002300		RAL 8017 30
	481002200		RAL 8014 30
	402980511		RAL 7016 30
	402981755		RAL 6005 30
	481002500		RAL 5010 30
	402981753		RAL 3004 30
	402981752		RAL 1015 30
	401130291		Анодированное

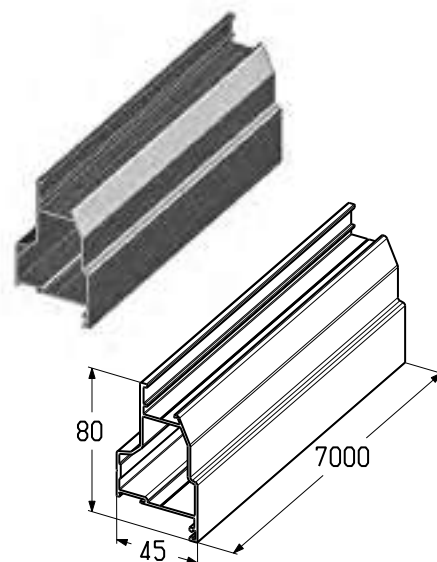


Профиль воротный (верхний)

Используется для изготовления панорамных панелей AluPro.
Применяется совместно с сэндвич-панелью с рисунком S-гофр.

Материал алюминий
Длина, мм 7000
Вес, кг/м 0,95
Единица измерения м
Норма поставки, м 28

Артикул	Код	Покрытие	Цвет Степень блеска
PRD45	481002900	Порошковое	RAL 9016 30
	481002600		RAL 9006 30
	481002800		RAL 8017 30
	481002700		RAL 8014 30
	402980512		RAL 7016 30
	402981784		RAL 6005 30
	481003000		RAL 5010 30
	402981782		RAL 3004 30
	402981781		RAL 1015 30
	401130391		Анодированное



* Указанные в формате RAL **** цвета имеют близкое соответствие шкале RAL.

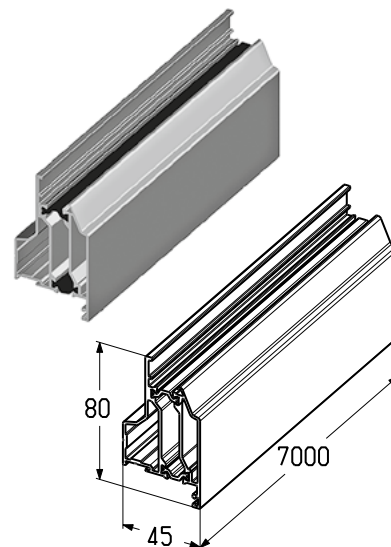
АЛЮМИНИЕВЫЕ ПРОФИЛИ ДЛЯ ПАНОРАМНЫХ ПАНЕЛЕЙ

Профиль воротный (верхний с термическим разделением)

Используется для изготовления панорамных панелей AluTherm.
Применяется совместно с сэндвич-панелью с рисунком микроволна.

Материал	алюминий
Длина, мм	7000
Вес, кг/м	1,46
Единица измерения	м
Норма поставки, м	28

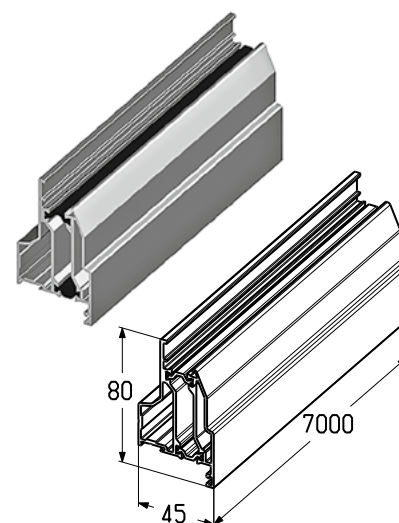
Артикул	Код	Покрытие	Цвет Степень блеска
PRD54	481005900	Порошковое	RAL 9016 30
	481005600		RAL 9006 30
	481005700		RAL 8014 30
	481006000		RAL 5010 30

**Профиль воротный (верхний с термическим разделением)**

Используется для изготовления панорамных панелей AluTherm.
Применяется совместно с сэндвич-панелью с рисунком S-гофр.

Материал	алюминий
Длина, мм	7000
Вес, кг/м	1,46
Единица измерения	м
Норма поставки, м	28

Артикул	Код	Покрытие	Цвет Степень блеска
PRD55	481006400	Порошковое	RAL 9016 30
	481006100		RAL 9006 30
	481006200		RAL 8014 30
	481006500		RAL 5010 30



* Указанные в формате RAL **** цвета имеют близкое соответствие шкале RAL.

АЛЮМИНИЕВЫЕ ПРОФИЛИ ДЛЯ ПАНОРАМНЫХ ПАНЕЛЕЙ

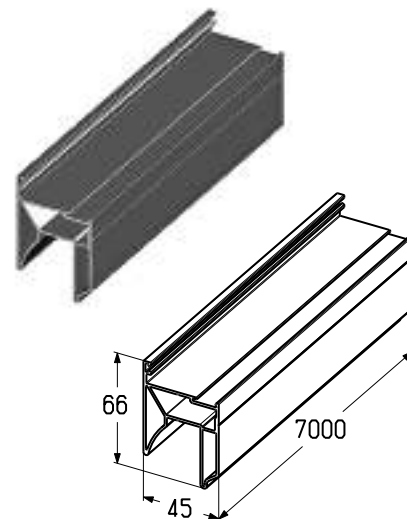
Профиль воротный (нижний)

Используется для изготовления панорамных панелей AluPro.

Применяется в панорамных воротах:

- шириной до 4000 мм;
- шириной от 5005 мм с установкой профиля усиливающего (PRG-20).

Материал алюминий
 Длина, мм 7000
 Вес, кг/м 1,09
 Единица измерения м
 Норма поставки, м 28



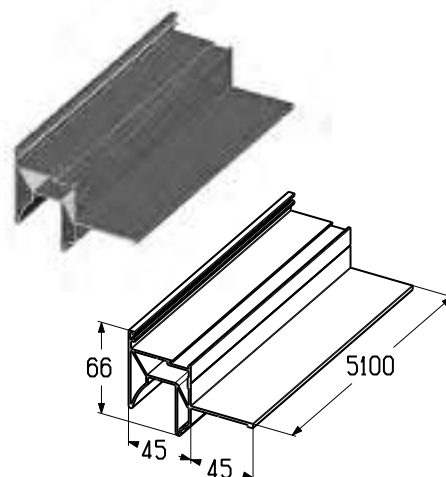
Артикул	Код	Покрытие	Цвет Степень блеска
PRD42	481001400	Порошковое	RAL 9016 30
	481001100		RAL 9006 30
	481001300		RAL 8017 30
	481001200		RAL 8014 30
	402980509		RAL 7016 30
	402981697		RAL 6005 30
	481001500		RAL 5010 30
	402981695		RAL 3004 30
	402981694		RAL 1015 30
	401110291		Анодированное

Профиль воротный (нижний)

Используется для изготовления панорамных панелей AluPro.

Применяется в панорамных воротах шириной от 4005 до 5000 мм.

Материал алюминий
 Длина, мм 5100
 Вес, кг/м 1,36
 Единица измерения м
 Норма поставки, м 20,4



Артикул	Код	Покрытие	Цвет Степень блеска
PRD43	481001900	Порошковое	RAL 9016 30
	481001600		RAL 9006 30
	481001800		RAL 8017 30
	481001700		RAL 8014 30
	402980510		RAL 7016 30
	402981726		RAL 6005 30
	481002000		RAL 5010 30
	402981724		RAL 3004 30
	402981723		RAL 1015 30
	401110391		Анодированное

* Указанные в формате RAL **** цвета имеют близкое соответствие шкале RAL.

АЛЮМИНИЕВЫЕ ПРОФИЛИ ДЛЯ ПАНОРАМНЫХ ПАНЕЛЕЙ

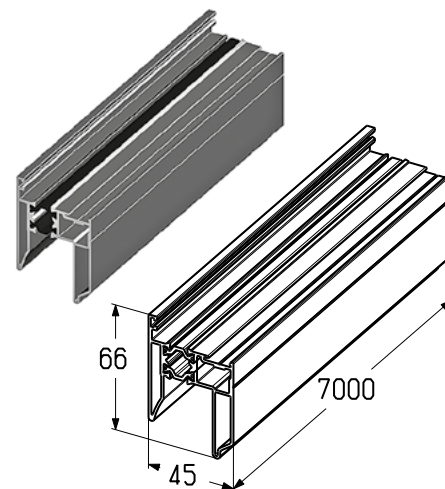
Профиль воротный (нижний с термическим разделением)

Используется для изготовления панорамных панелей AluTherm.

- шириной до 4000 мм;
- шириной от 5005 мм с установкой профиля усиливающего (PRG-20).

Материал	алюминий
Длина, мм	7000
Вес, кг/м	1,30
Единица измерения	м
Норма поставки, м	28

Артикул	Код	Покрытие	Цвет Степень блеска
PRD52	481004900	Порошковое	RAL 9016 30
	481004600		RAL 9006 30
	481004700		RAL 8014 30
	481005000		RAL 5010 30



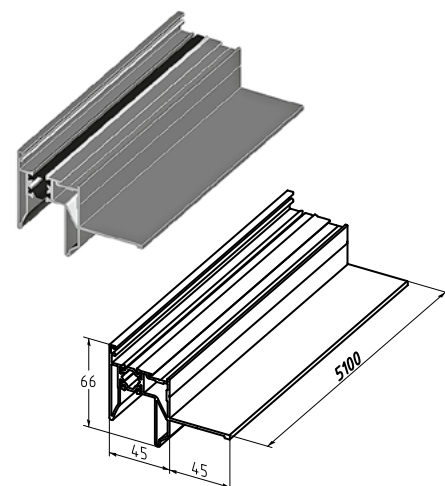
Профиль воротный (нижний с термическим разделением)

Используется для изготовления панорамных панелей AluTherm.

Применяется в панорамных воротах шириной от 4005 до 5000 мм.

Материал	алюминий
Длина, мм	5100
Вес, кг/м	1,57
Единица измерения	м
Норма поставки, м	20,4

Артикул	Код	Покрытие	Цвет Степень блеска
PRD53	481005400	Порошковое	RAL 9016 30
	481005100		RAL 9006 30
	481005200		RAL 8014 30
	481005500		RAL 5010 30

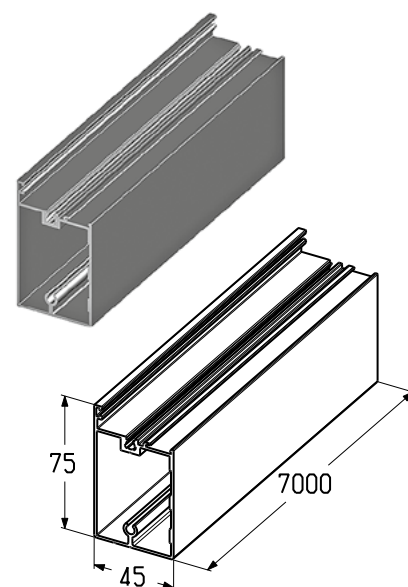


Профиль воротный (боковой)

Используется для изготовления панорамных панелей AluPro.

Материал	алюминий
Длина, мм	7000
Вес, кг/м	1,21
Единица измерения	м
Норма поставки, м	28

Артикул	Код	Покрытие	Цвет Степень блеска
PRD40	481000400	Порошковое	RAL 9016 30
	481000100		RAL 9006 30
	481000300		RAL 8017 30
	481000200		RAL 8014 30
	402980507		RAL 7016 30
	402981639		RAL 6005 30
	481000500		RAL 5010 30
	402981637		RAL 3004 30
	402981636		RAL 1015 30
	401120291	Анодированное	A00-D6



* Указанные в формате RAL **** цвета имеют близкое соответствие шкале RAL.

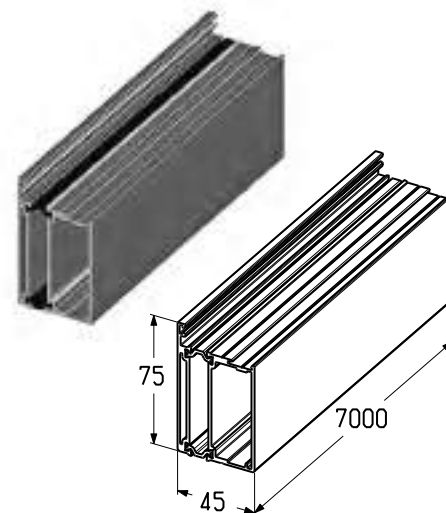
АЛЮМИНИЕВЫЕ ПРОФИЛИ ДЛЯ ПАНОРАМНЫХ ПАНЕЛЕЙ

Профиль воротный (боковой с термическим разделением)

Используется для изготовления панорамных панелей AluTherm.

Материал алюминий
 Длина, мм 7000
 Вес, кг/м 1,61
 Единица измерения м
 Норма поставки, м 14

Артикул	Код	Покрытие	Цвет Степень блеска
PRD50	481003900	Порошковое	RAL 9016 30
	481003600		RAL 9006 30
	481003700		RAL 8014 30
	481004000		RAL 5010 30

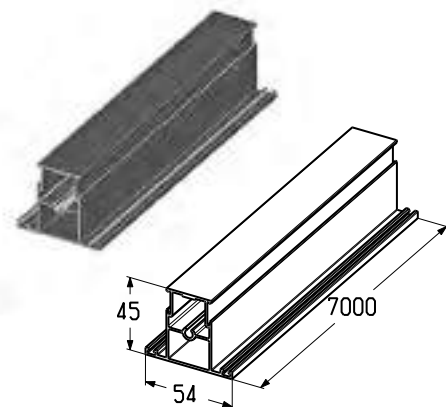


Профиль воротный (импост)

Используется для изготовления панорамных панелей AluPro.

Материал алюминий
 Длина, мм 7000
 Вес, кг/м 0,87
 Единица измерения м
 Норма поставки, м 28

Артикул	Код	Покрытие	Цвет Степень блеска
PRD41	481000900	Порошковое	RAL 9016 30
	481000600		RAL 9006 30
	481000800		RAL 8017 30
	481000700		RAL 8014 30
	402980508		RAL 7016 30
	402981668		RAL 6005 30
	481001000		RAL 5010 30
	402981666		RAL 3004 30
	402981665		RAL 1015 30
	401140191	Анодированное	A00-D6



* Указанные в формате RAL **** цвета имеют близкое соответствие шкале RAL.

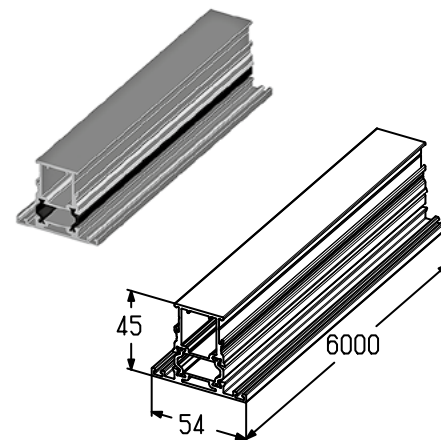
АЛЮМИНИЕВЫЕ ПРОФИЛИ ДЛЯ ПАНОРАМНЫХ ПАНЕЛЕЙ

Профиль воротный (импост с термическим разделением)

Используется для изготовления панорамных панелей AluTherm.

Материал алюминий
 Длина, мм 6000
 Вес, кг/м 1,16
 Единица измерения м
 Норма поставки, м 24

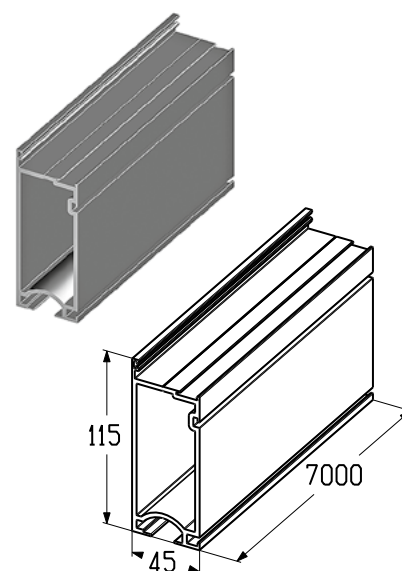
Артикул	Код	Покрытие	Цвет Степень блеска
PRD51	481004400	Порошковое	RAL 9016 30
	481004100		RAL 9006 30
	481004200		RAL 8014 30
	481004500		RAL 5010 30

**Профиль воротный (нижний концевой)**

Используется для изготовления панорамных панелей AluPro.

Материал алюминий
 Длина, мм 7000
 Вес, кг/м 2,62
 Единица измерения м
 Норма поставки, м 14

Артикул	Код	Покрытие	Цвет Степень блеска
PRD46	481003400	Порошковое	RAL 9016 30
	481003100		RAL 9006 30
	481003300		RAL 8017 30
	481003200		RAL 8014 30
	402980513		RAL 7016 30
	402981813		RAL 6005 30
	481003500		RAL 5010 30
	402981811		RAL 3004 30
	402981810		RAL 1015 30
	401110491	Анодированное	A00-D6



* Указанные в формате RAL **** цвета имеют близкое соответствие шкале RAL.

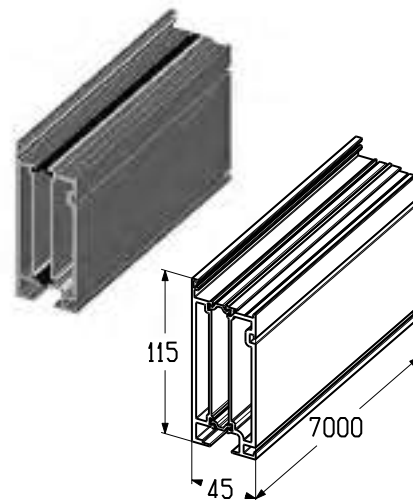
АЛЮМИНИЕВЫЕ ПРОФИЛИ ДЛЯ ПАНОРАМНЫХ ПАНЕЛЕЙ

Профиль воротный (нижний концевой с термическим разделением)

Используется для изготовления панорамных панелей AluTherm.

Материал алюминий
 Длина, мм 7000
 Вес, кг/м 3,20
 Единица измерения м
 Норма поставки, м 14

Артикул	Код	Покрытие	Цвет Степень блеска
PRD56	481006900	Порошковое	RAL 9016 30
	481006600		RAL 9006 30
	481006700		RAL 8014 30
	481007000		RAL 5010 30

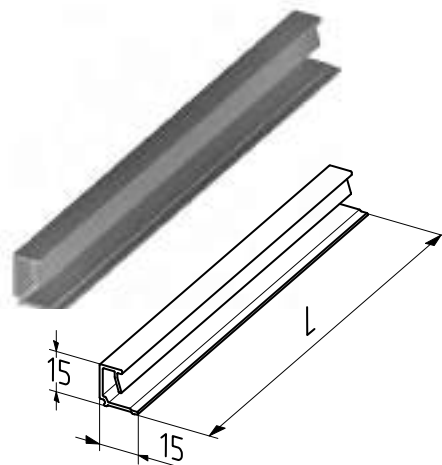


Профиль штапика

Используется для изготовления панорамных панелей AluPro и AluTherm совместно со светопрозрачными или композитными вставками толщиной 26 мм.

Материал алюминий
 Длина, мм 6000
 Вес, кг/м 0,15
 Единица измерения м
 Норма поставки, м 96

Артикул	Код	Цвет Степень блеска
PRD91	402980631	RAL 9005 30



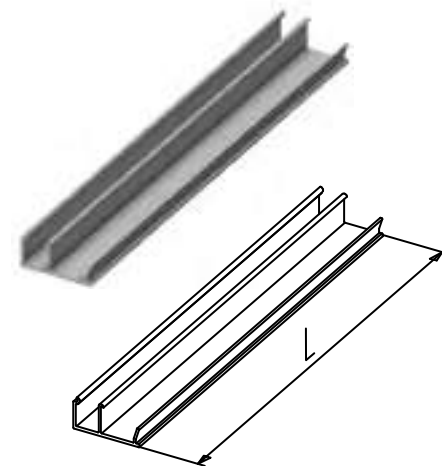
Профиль штапика

Используется для изготовления панорамных панелей AluPro совместно:

- с решеткой для панорамной панели стальной тянутой (GG-58);
- со светопрозрачными вставки толщиной 2 мм;
- с композитными панелями толщиной 3 мм.

Материал алюминий
 Длина, мм 6000
 Вес, кг/м 0,24
 Единица измерения м
 Норма поставки, м 96

Артикул	Код	Цвет Степень блеска
PRD48	401150830	RAL 9005 30



* Указанные в формате RAL **** цвета имеют близкое соответствие шкале RAL.

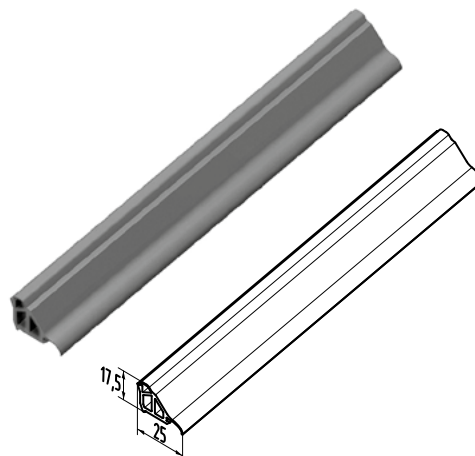
АЛЮМИНИЕВЫЕ ПРОФИЛИ ДЛЯ ПАНОРАМНЫХ ПАНЕЛЕЙ

Вставка уплотнительная

Используется для изготовления панорамных панелей AluPro и AluTherm.
Предназначена для установки в профиль воротный верхний (PRD44, PRD45, PRD54, PRD55).

Материал EPDM
Вес, кг/м 0,34
Единица измерения м
Норма поставки, м 100

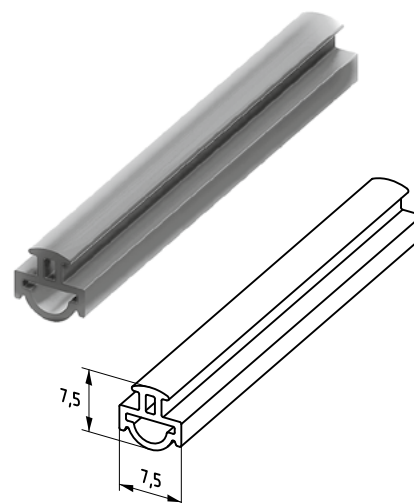
Артикул	Код
RSP25	401520200

**Уплотнитель резиновый**

Используется для изготовления панорамных панелей AluPro и AluTherm.
Предназначен для установки с внешней стороны ворот совместно со светопрозрачной вставкой толщиной 26, 25, 2 мм или композитной вставкой толщиной 26 или 3 мм, решеткой стальной тянутой (GG-58) для заполнения панорамных секций.

Материал EPDM
Вес, кг/м 0,05
Единица измерения м
Норма поставки, м 500

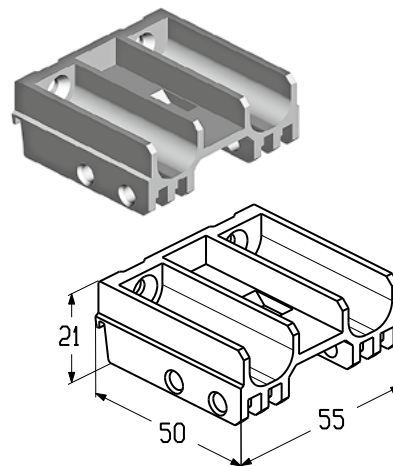
Артикул	Код
FRK07	10210600

**Соединитель**

Используется для изготовления панорамных панелей AluTherm.
Предназначен для соединения профиля воротного верхнего (PRD54, PRD55) и профиля воротного бокового (PRD50).

Материал алюминий
Вес, кг/шт. 0,13
Единица измерения шт.
Норма поставки, шт. 100

Артикул	Код
C1010	401190300



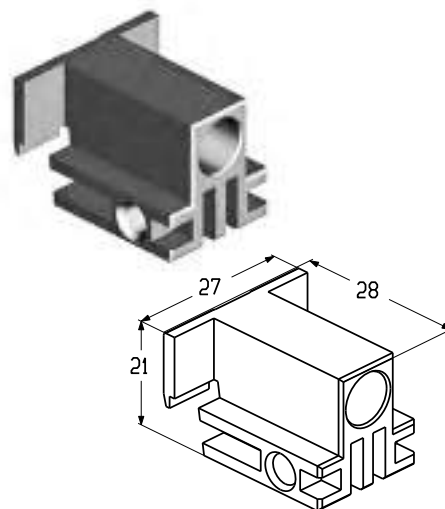
АЛЮМИНИЕВЫЕ ПРОФИЛИ ДЛЯ ПАНОРАМНЫХ ПАНЕЛЕЙ

Соединитель

Используется для изготовления панорамных панелей AluTherm.
Предназначен для соединения профиля воротного верхнего (PRD54, PRD55) и профиля воротного импоста (PRD51).

Материал алюминий
Вес, кг/шт. 0,03
Единица измерения шт.
Норма поставки, шт. 400

Артикул	Код
C1011	401190400

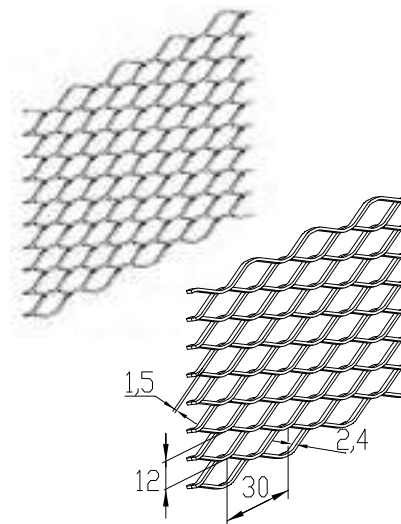


Решетка для панорамной панели стальная

Используется для заполнения панорамных панелей AluPro.

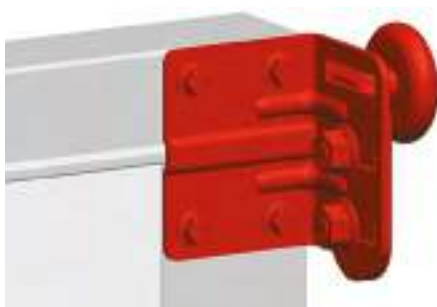
Материал оцинкованная сталь
Толщина, мм 4,0
Вес, кг/м² 4,78
Единица измерения м²
Норма поставки, м² 3,125

Артикул	Код
GG-58	401192200



КРОНШТЕЙНЫ И ПЕТЛИ ДЛЯ СБОРКИ ПОЛОТНА ВОРОТ

УСТАНОВКА КРОНШТЕЙНА ВЕРХНЕГО



Кронштейн верхний
для гаражных ворот с торсионными пружинами
и промышленных ворот низких типов монтажа
(кроме низкого с передним расположением вала
(тип 2))



Кронштейн верхний
для промышленных ворот всех типов монтажа
(кроме низких)



Кронштейн верхний
для гаражных ворот
с пружинами растяжения

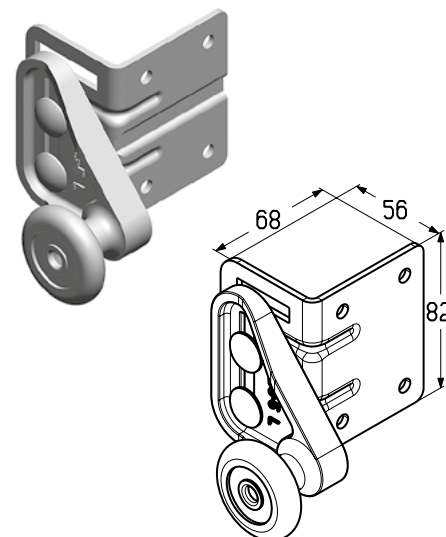
Кронштейн верхний

Предназначен для установки на верхнюю панель полотна ворот.
Используется:

- в гаражных воротах стандартного и низкого типов монтажа;
- в промышленных воротах низкого, низкого с передним расположением вала и наклонного низкого типов монтажа при ширине ворот до 5000 мм (включительно).

Материал нержавеющая сталь/алюминий
Вес, кг/шт. 0,36
Единица измерения шт.
Норма поставки, шт. 30

Артикул	Код	Примечание	Ось ролика
RBG900L	401210000	Левый	Оцинкованная сталь
RBG900R	401210100	Правый	
RBG900L-SS	401210200	Левый	Нержавеющая сталь
RBG900R-SS	401210300	Правый	

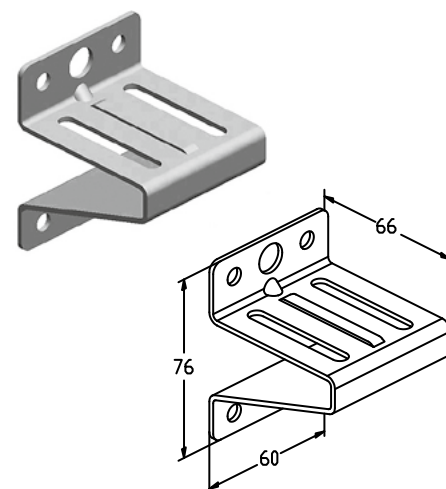
**Кронштейн роликовый верхний**

Предназначен для установки на верхнюю панель полотна ворот.
Используется:

- в гаражных воротах высокого типа монтажа;
- в промышленных воротах всех типов монтажа (кроме низких).

Материал нержавеющая сталь
Вес, кг/шт. 0,16
Единица измерения шт.
Норма поставки, шт. 90

Артикул	Код
RBI-45.127	401211500



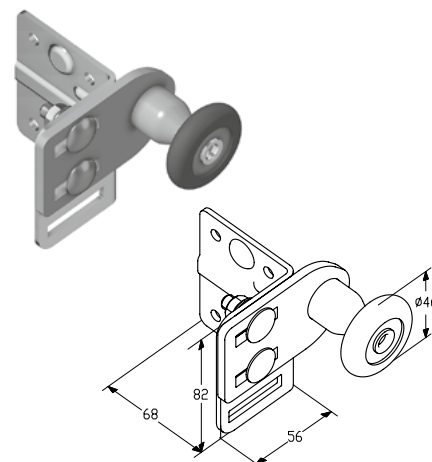
КРОНШТЕЙНЫ И ПЕТЛИ ДЛЯ СБОРКИ ПОЛОТНА ВОРОТ

Кронштейн роликовый верхний

Предназначен для установки на верхнюю панель полотна ворот.
Применяется в промышленных воротах низкого, наклонного низкого и низкого с передним расположением вала типов монтажа при ширине ворот более 5000 мм.

Материал нержавеющая сталь
Вес, кг / шт. 0,54
Единица измерения шт.
Норма поставки, шт. 40

Артикул	Код
B-700ATS	406136707

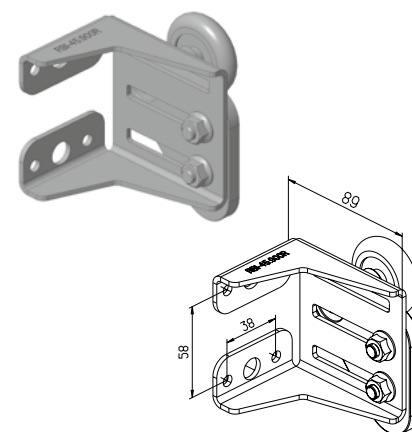


Кронштейн роликовый верхний

Предназначен для установки на верхнюю панель полотна ворот.
Используется в промышленных воротах низкого с передним расположением вала (тип 2) монтажа.

Материал нержавеющая сталь
Вес, кг / шт. 0,70
Единица измерения шт.
Норма поставки, шт. 40

Артикул	Код	Применение
RBI-45.900L	406136814	Левый
RBI-45.900R	406136815	Правый

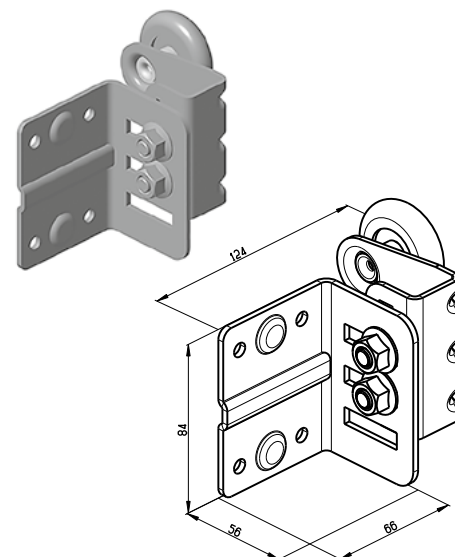


Кронштейн верхний

Предназначен для установки на верхнюю панель полотна ворот.
Используется в гаражных воротах с пружинами растяжения.

Материал нержавеющая сталь
Вес, кг/шт. 0,42
Единица измерения шт.
Норма поставки, шт. 20

Артикул	Код	Примечание
RBG-900TNL	401211000	Левый
RBG-900TNR	401211100	Правый



КРОНШТЕЙНЫ И ПЕТЛИ ДЛЯ СБОРКИ ПОЛОТНА ВОРОТ

УСТАНОВКА КРОНШТЕЙНА БОКОВОГО

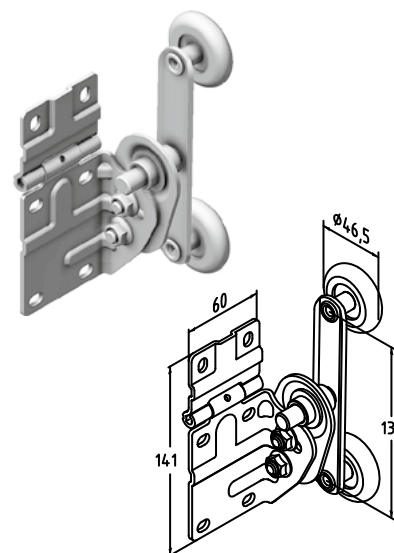
Кронштейн боковой
для гаражных воротКронштейн боковой
для промышленных ворот

Кронштейн боковой

Предназначен для установки на промежуточные панели полотна ворот.
Используется в гаражных воротах всех типов монтажа (кроме высокого с верхним расположением вала) шириной до 5000 мм (включительно).

Материал нержавеющая сталь
Вес, кг/шт. 0,66
Единица измерения шт.
Норма поставки, шт. 24

Артикул	Код	Примечание	Ось ролика
RBP-700L-SS	406136709	Левый	Нержавеющая сталь
RBP-700R-SS	406136710	Правый	



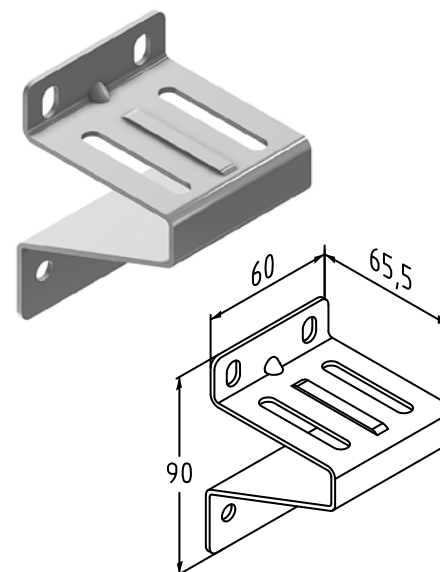
Кронштейн боковой

Предназначен для установки на промежуточную панель полотна ворот.
Используется:

- в гаражных воротах высокого типа монтажа, в гаражных воротах стандартного и низкого монтажа шириной более 5000 мм*;
- в промышленных воротах всех типов монтажа.

Материал нержавеющая сталь
Вес, кг/шт. 0,15
Единица измерения шт.
Норма поставки, шт. 145

Артикул	Код
RBI123	401220400



* Опционально в гаражных воротах шириной до 5000 мм.

КРОНШТЕЙНЫ И ПЕТЛИ ДЛЯ СБОРКИ ПОЛОТНА ВОРОТ

УСТАНОВКА КРОНШТЕЙНА БОКОВОГО ДОПОЛНИТЕЛЬНОГО
КРОНШТЕЙН БОКОВОЙ ДЛЯ ПАНОРАМНЫХ ВОРОТ



**Установка
на верхнюю панель**

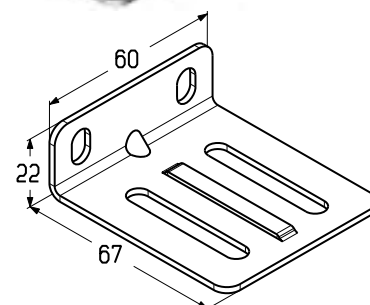


**Установка
на промежуточные панели**

Кронштейн боковой дополнительный

Предназначен для установки на промежуточные и верхнюю панорамные панели AluPro и AluTherm. Устанавливается совместно с кронштейном боковым (RBI123) и кронштейном верхним (RBI-45.127). Используется в гаражных и промышленных воротах с панорамными панелями шириной более 5000 мм.

Материал нержавеющая сталь
Вес, кг/шт. 0,07
Единица измерения шт.



Артикул	Код
11043124	4000130

КРОНШТЕЙНЫ И ПЕТЛИ ДЛЯ СБОРКИ ПОЛОТНА ВОРОТ

УСТАНОВКА КРОНШТЕЙНА НИЖНЕГО



Кронштейн нижний
для гаражных ворот с торсионными пружинами



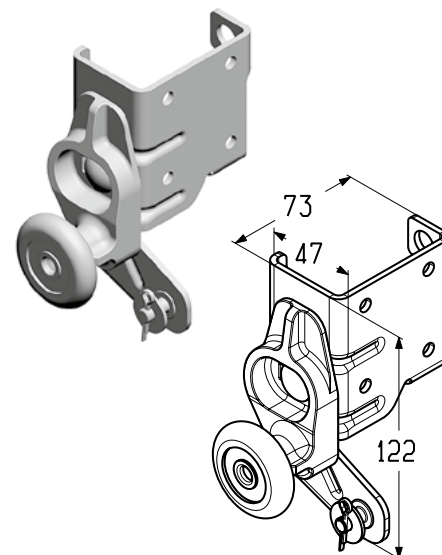
Кронштейн нижний
для гаражных ворот с пружинами растяжения

Кронштейн нижний левый/правый

Предназначен для установки на нижнюю панель полотна ворот.
Используется в гаражных воротах с торсионными пружинами.

Материал нержавеющая сталь/алюминий
Вес, кг/шт. 0,42
Единица измерения шт.
Норма поставки, шт. 30

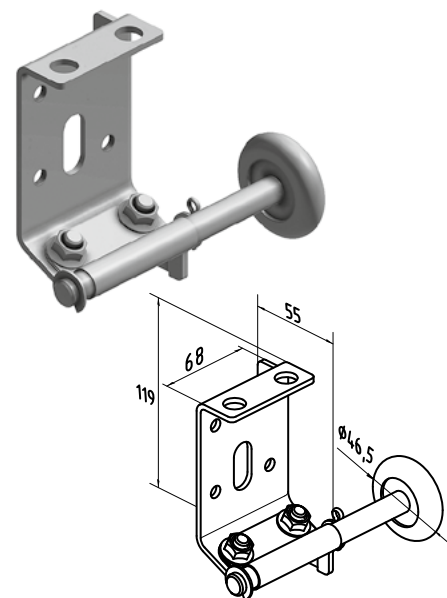
Артикул	Код	Примечание	Ось ролика
RBG100L	401231200	Левый	Оцинкованная сталь
RBG100R	401231300	Правый	
RBG100L-SS	401231400	Левый	Нержавеющая сталь
RBG100R-SS	401231500	Правый	

**Кронштейн нижний левый/правый**

Предназначен для установки на нижнюю панель полотна ворот.
Используется в гаражных воротах с пружинами растяжения.

Вес, кг/шт. 0,49
Единица измерения шт.
Норма поставки, шт. 40

Артикул	Код	Примечание	Материал
RBG-150TNL	406136713	Левый	Нержавеющая сталь
RBG-150TNR	406136714	Правый	



КРОНШТЕЙНЫ И ПЕТЛИ ДЛЯ СБОРКИ ПОЛОТНА ВОРОТ

УСТАНОВКА КРОНШТЕЙНА НИЖНЕГО



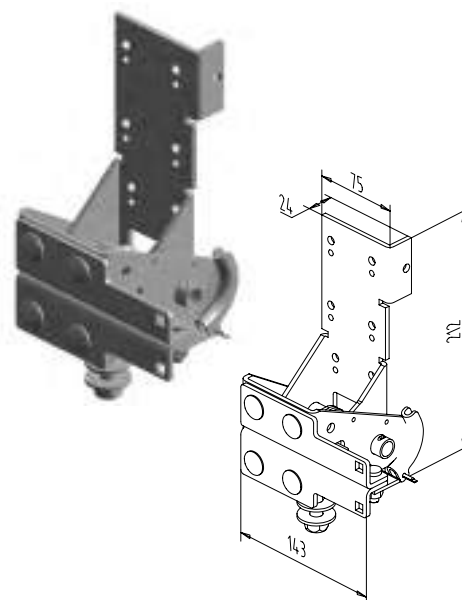
**Кронштейн нижний
для промышленных ворот**

Кронштейн нижний

Предназначен для защиты от падения полотна промышленных ворот при обрыве троса. Устанавливается на нижнюю панель полотна ворот. Используется в промышленных воротах всех типов монтажа (кроме низкого с передним расположением вала (тип 2)) шириной до 5000 мм включительно.

Материал оцинкованная сталь
Вес, кг/шт. 1,76
Единица измерения шт.
Норма поставки, шт. 8

Артикул	Код	Примечание
RBI446L	401230400	Левый
RBI446R	401230500	Правый

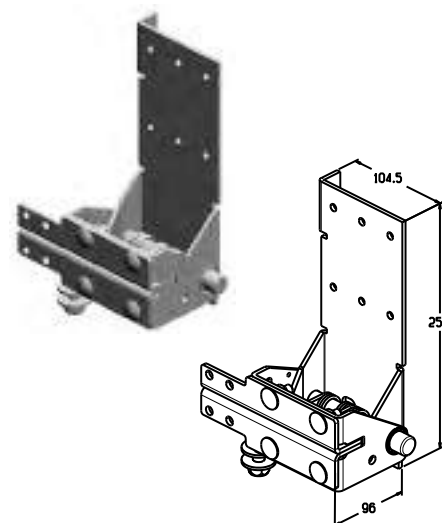


Кронштейн роликовый нижний

Предназначен для защиты от падения полотна промышленных ворот при обрыве троса. Устанавливается на нижнюю панель полотна ворот. Используется в промышленных воротах всех типов монтажа (кроме низкого с передним расположением вала (тип 2)) шириной более 5000 мм.

Материал оцинкованная сталь
Вес, кг/шт. 2,56
Единица измерения шт.
Норма поставки, шт. 4

Артикул	Код	Примечание
RBI-45.110DL	401233000	Левый
RBI-45.110DR	401233100	Правый



КРОНШТЕЙНЫ И ПЕТЛИ ДЛЯ СБОРКИ ПОЛОТНА ВОРОТ

УСТАНОВКА КРОНШТЕЙНА РОЛИКОВОГО НИЖНЕГО ДЛЯ ПРОМЫШЛЕННЫХ ВОРОТ

Кронштейн роликовый нижний
(RBI-45.100L/R)Кронштейн роликовый нижний
(RBI-45.120DL/R)

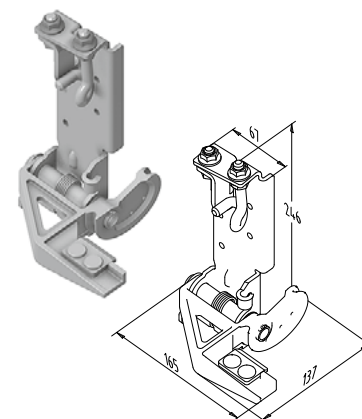
Кронштейн роликовый нижний

Предназначен:

- для защиты от падения полотна промышленных ворот при обрыве троса;
- для защиты промышленных ворот с навальным электроприводом от поддомкрачивания при совместном использовании с позициями RBI-40.100L-008/RBI-40.100R-008 и RBI-40.100L-010/RBI-40.100R-010;
- для регулировки натяжения троса.

Устанавливается на нижнюю панель полотна ворот. Используется в промышленных воротах всех типов монтажа (кроме низкого с передним расположением вала (тип 2)) шириной до 5000 мм включительно и площадью до 25 м².

Материал оцинкованная сталь
 Вес, кг/шт. 1,74
 Единица измерения шт.
 Норма поставки, шт. 1



Артикул	Код	Примечание
RBI-45.100L	402602000	Левый
RBI-45.100R	402602100	Правый

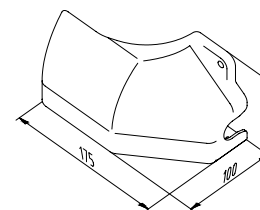
Крышка

Устанавливается на кронштейны RBI-45.100L/R для защиты от возможного контакта с выступающими частями кронштейна при заказе защиты от поддомкрачивания.

Материал полипропилен
 Цвет RAL 7035
 Вес, кг/шт. 0,08
 Единица измерения шт.
 Норма поставки, шт. 1



Артикул	Код	Примечание
RBI-40.100L-008	418700529	Левый
RBI-40.100R-008	418700530	Правый



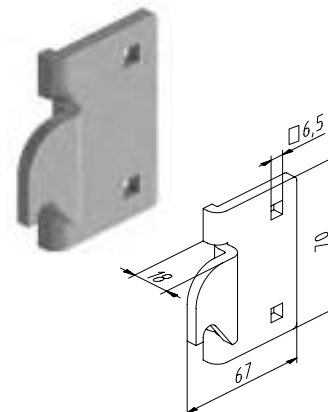
КРОНШТЕЙНЫ И ПЕТЛИ ДЛЯ СБОРКИ ПОЛОТНА ВОРОТ

Кронштейн

Устанавливается на угловую стойку ворот в дополнение к кронштейну **RBI-45.100L/R** и крышке **RBI-40.100L-008/RBI-40.100R-008** и служит для защиты от поддомкрачивания полотна.

Материал оцинкованная сталь
Вес, кг/шт. 0,16
Единица измерения шт.
Норма поставки, шт. 1

Артикул	Код	Примечание
RBI-40.100L-010	406136869	Левый
RBI-40.100R-010	406136870	Правый



Кронштейн нижний

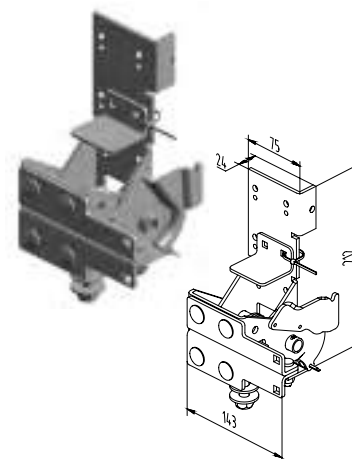
Предназначен:

- для защиты от падения полотна промышленных ворот при обрыве троса;
- для защиты промышленных ворот с навальным электроприводом от поддомкрачивания.

Устанавливается на нижнюю панель полотна ворот. Используется в промышленных автоматизированных воротах всех типов монтажа (кроме низкого с передним расположением вала (тип 2)) при ширине до 5000 мм включительно.

Материал оцинкованная сталь
Вес, кг/шт. 1,76
Единица измерения шт.
Норма поставки, шт. 8

Артикул	Код	Примечание
RBI446ML	401230600	Левый
RBI446MR	401230700	Правый



Кронштейн роликовый нижний

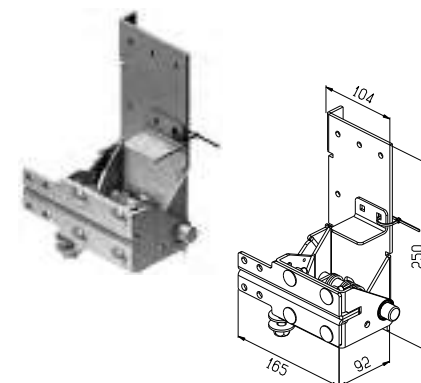
Предназначен:

- для защиты от падения полотна промышленных ворот при обрыве троса;
- для защиты промышленных ворот с навальным электроприводом от поддомкрачивания.

Устанавливается на нижнюю панель полотна ворот. Используется в промышленных автоматизированных воротах всех типов монтажа (кроме низкого с передним расположением вала (тип 2)) шириной более 5000 мм.

Материал оцинкованная сталь
Вес, кг/шт. 2,56
Единица измерения шт.
Норма поставки, шт. 1

Артикул	Код	Примечание
RBI-45.120DL	401234000	Левый
RBI-45.120DR	401234100	Правый



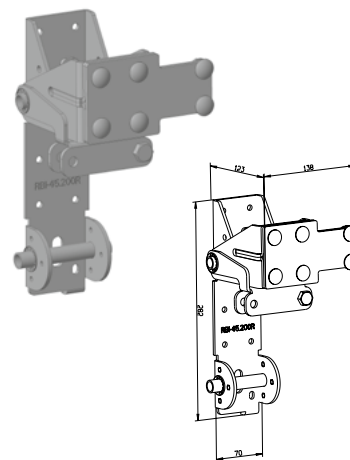
КРОНШТЕЙНЫ И ПЕТЛИ ДЛЯ СБОРКИ ПОЛОТНА ВОРОТ

Кронштейн роликовый нижний

Предназначен для защиты от падения полотна промышленных ворот при обрыве троса.
Устанавливается на нижнюю панель полотна ворот. Используется в промышленных воротах низкого с передним расположением вала (тип 2) монтажа при ширине ворот до 6000 мм включительно.

Материал оцинкованная сталь
Вес, кг/шт. 3,30
Единица измерения шт.
Норма поставки, шт. 1

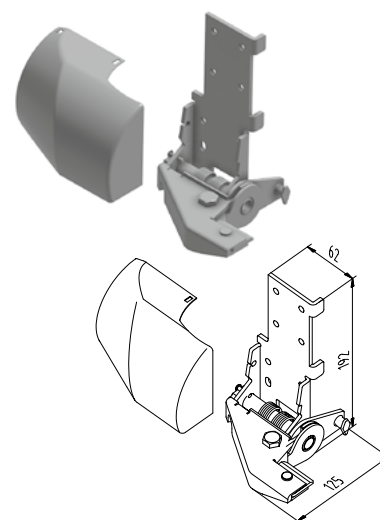
Артикул	Код	Примечание
RBI-45.200L	406136799	Левый
RBI-45.200R	406136800	Правый

**Кронштейн роликовый нижний**

Предназначен для защиты от падения полотна промышленных ворот при обрыве троса.
Устанавливается на нижнюю панель полотна ворот при ширине до 5000 мм включительно.
Используется в промышленных автоматизированных воротах всех типов монтажа (кроме низкого с передним расположением вала (тип 2)) с повышенной интенсивностью эксплуатации.

Материал оцинкованная сталь
Вес, кг/шт. 1,15
Единица измерения шт.
Норма поставки, шт. 1

Артикул	Код	Примечание
RBI-45.130L	406136801	Левый
RBI-45.130R	406136802	Правый



КРОНШТЕЙНЫ И ПЕТЛИ ДЛЯ СБОРКИ ПОЛОТНА ВОРОТ

УСТАНОВКА НАКЛАДКИ РОЛИКОВОЙ



Накладка роликовая



Накладка роликовая дуплексная

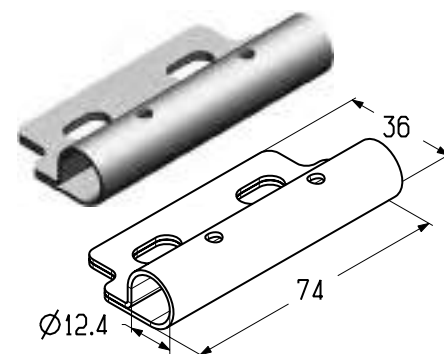
Накладка роликовая

Предназначена для установки ролика ходового (R-130-12-G, R-130-12-SS) на кронштейн боковой (RBI123) на промежуточные панели полотна ворот.

Используется:

- в гаражных воротах высокого типа монтажа;
- в промышленных воротах всех типов монтажа.

Материал нержавеющая сталь
 Вес, кг/шт. 0,05
 Единица измерения шт.
 Норма поставки, шт. 400



Артикул	Код
RP112	401240000

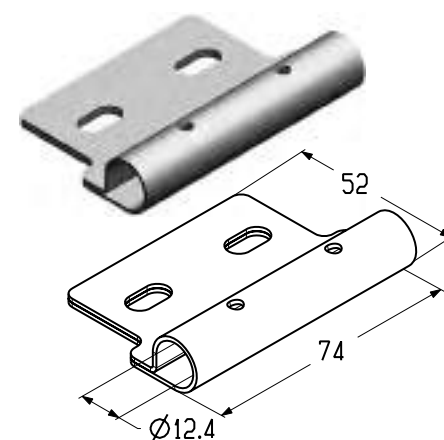
Накладка роликовая

Предназначена для установки ролика ходового (R-130-12-G, R-130-12-SS) на кронштейн верхний (RBI-45.127) на верхнюю панель полотна ворот.

Используется:

- в гаражных воротах высокого типа монтажа;
- в промышленных воротах всех типов монтажа.

Материал нержавеющая сталь
 Вес, кг/шт. 0,06
 Единица измерения шт.
 Норма поставки, шт. 100



Артикул	Код
RP113	401240100

КРОНШТЕЙНЫ И ПЕТЛИ ДЛЯ СБОРКИ ПОЛОТНА ВОРОТ

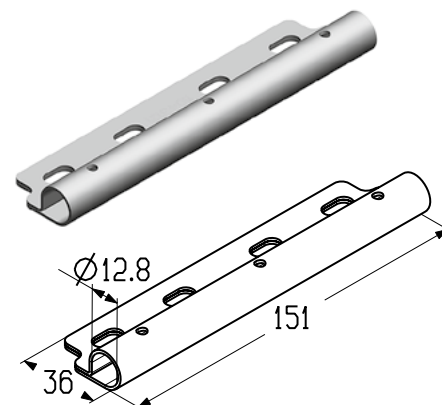
Накладка роликовая дуплексная промежуточная

Предназначена для установки ролика ходового (R-205-12-G, R-205-12-SS, R-205-12-GG) на двойной кронштейн боковой (RBI123) на промежуточные панели полотна ворот.

Используется в гаражных воротах высокого типа монтажа, стандартного и низкого типов монтажа при ширине ворот более 5000 мм, в промышленных воротах всех типов монтажа при ширине ворот более 5000 мм.

Материал	нержавеющая сталь
Вес, кг/шт.	0,10
Единица измерения	шт.
Норма поставки, шт.	250

Артикул	Код
RP121	401240200

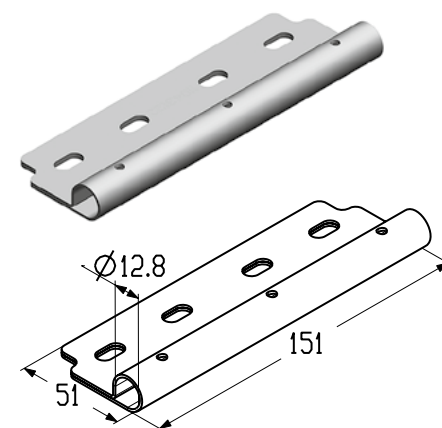
**Накладка роликовая дуплексная верхняя**

Предназначена для установки ролика ходового (R-205-12-G, R-205-12-SS, R-205-12-GG) на двойной кронштейн верхний (RBI-45.127) на верхнюю панель полотна ворот.

Используется в гаражных воротах высокого типа монтажа и в промышленных воротах всех типов монтажа при ширине ворот более 5000 мм.

Материал	нержавеющая сталь
Вес, кг/шт.	0,15
Единица измерения	шт.
Норма поставки, шт.	200

Артикул	Код
RP122	401240300

**Петля промежуточная**

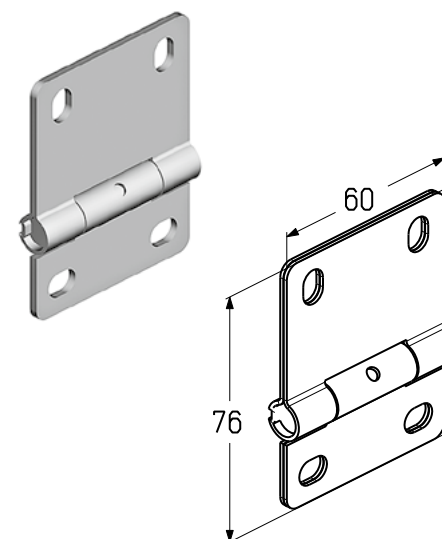
Предназначена для соединения панелей полотна ворот (не устанавливается на торцы панелей совместно с кронштейном боковым RBI123).

Используется без усиливающего профиля (PRG-19, PRG-20):

- в гаражных воротах с торсионными пружинами всех типов монтажа и воротах с пружинами растяжения;
- в промышленных воротах всех типов монтажа;
- при соединении панорамных секций серии AluPro или AluTherm.

Материал	нержавеющая сталь
Вес, кг/шт.	0,11
Единица измерения	шт.
Норма поставки, шт.	288

Артикул	Код
ИH113	401190500



КРОНШТЕЙНЫ И ПЕТЛИ ДЛЯ СБОРКИ ПОЛОТНА ВОРОТ

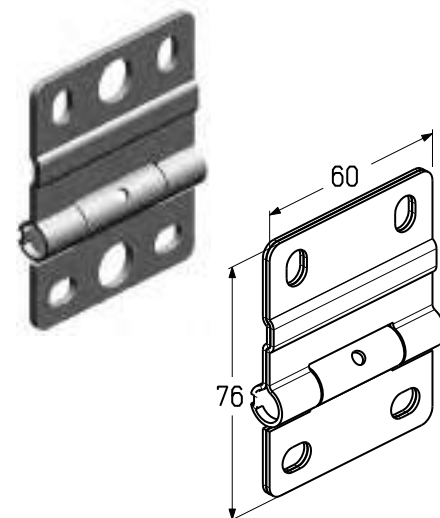
Петля промежуточная

Предназначен для соединения панелей совместно с кронштейном боковым (RBI123).

Используется:

- в гаражных воротах с торсионными пружинами всех типов монтажа;
- в промышленных воротах всех типов монтажа;
- при соединении панорамных секций серии AluPro или AluTherm.

Материал нержавеющая сталь
 Вес, кг/шт. 0,11
 Единица измерения шт.
 Норма поставки, шт. 288



Артикул	Код
IH-114	401190600

Петля промежуточная

Предназначена для соединения сэндвич-панелей полотна ворот (не устанавливается на торцы панелей совместно с кронштейном боковым RBI123).

Используется совместно с усиливающим профилем (PRG-19):

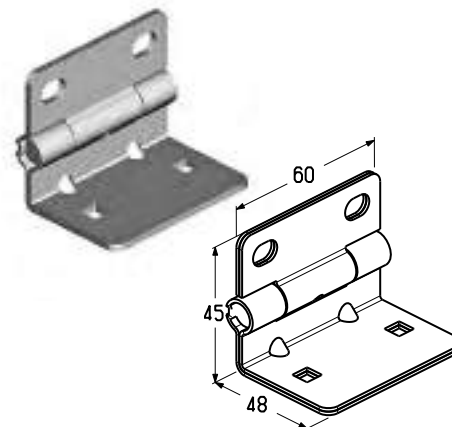
- в гаражных воротах с торсионными пружинами всех типов монтажа;
- в промышленных воротах всех типов монтажа.

Предназначена для соединения панорамных панелей серии AluPro и AluTherm (не устанавливается на торцы панелей совместно с кронштейном боковым RBI123).

Устанавливается совместно:

- с профилем воротным (PRD43, PRD53) при ширине ворот от 4005 до 5000 мм;
- с профилем усиливающим PRG-20 при ширине ворот более 5000 мм.

Материал нержавеющая сталь
 Вес, кг/шт. 0,11
 Единица измерения шт.
 Норма поставки, шт. 300



Артикул	Код
IH111	401190100

РОЛИКИ ХОДОВЫЕ

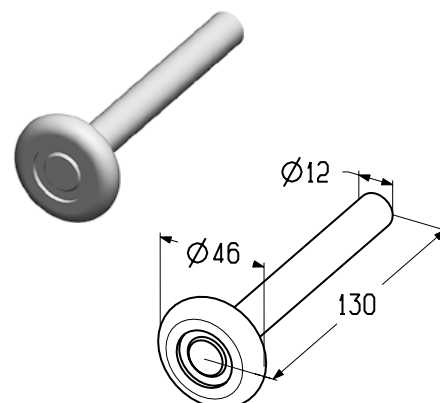
Ролик ходовой

Предназначен для установки в накладку роликую (RP112, RP113) на кронштейн боковой (RBI123), кронштейн верхний (RBI-45.127), кронштейны нижние (RBI446L/R, RBI446ML/R, RBI-45.100L/R, RBI-45.130L/R).

Используется в промышленных воротах всех типов монтажа.

Диаметр оси, мм	12
Длина ролика, мм	130
Единица измерения	шт.
Норма поставки, шт.	100

Артикул	Код	Вес, кг/шт.	Ось ролика
R-130-12-G	401920200	0,16	Оцинкованная сталь
R-130-12-SS	401920300	0,17	Нержавеющая сталь



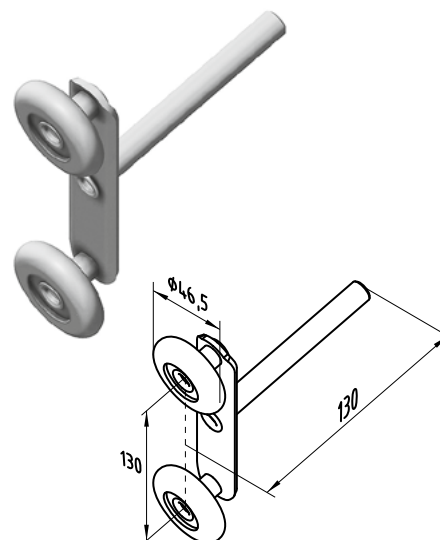
Ролик ходовой

Предназначен для установки в накладку роликую (RP112, RP113) на кронштейн боковой (RBI123) и кронштейн верхний (RBI-45.127).

Используется в гаражных воротах высокого типа монтажа.

Диаметр оси, мм	12
Длина ролика, мм	130
Единица измерения	шт.
Норма поставки, шт.	40

Артикул	Код	Вес, кг/шт.	Ось ролика
R-130-12-SS-P	416000019	0,31	Нержавеющая сталь



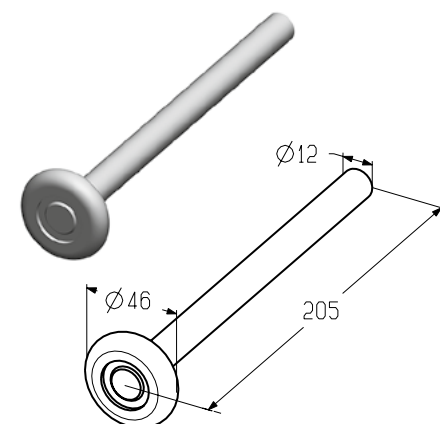
Ролик ходовой

Предназначен для установки в накладку роликую (RP121, RP122) на двойной кронштейн боковой (RBI123), двойной кронштейн верхний (RBI-45.127), кронштейн нижний (RBI-45.110DL/R, RBI-45.120DL/R).

Используется в гаражных и промышленных воротах всех типов монтажа шириной от 5005 до 6000 мм.

Диаметр оси, мм	12
Длина ролика, мм	205
Единица измерения	шт.
Норма поставки, шт.	100

Артикул	Код	Вес, кг/шт.	Ось ролика
R-205-12-G	401920400	0,22	Оцинкованная сталь
R-205-12-SS	401920500	0,23	Нержавеющая сталь



1.1

1.2

1.3

1.4

1.5

2

3

4

РОЛИКИ ХОДОВЫЕ

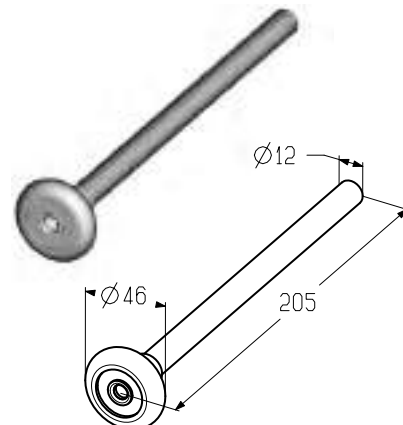
Ролик ходовой

Предназначен для установки в накладку роликую (RP121, RP122) на двойной кронштейн боковой (RBI123), двойной кронштейн верхний (RBI-45.127), кронштейн нижний (RBI-45.110DL/R, RBI-45.120DL/R).

Используется в промышленных воротах всех типов монтажа шириной более 6000 мм, за исключением ворот, в состав которых входит комплект для помещений с повышенной влажностью.

Диаметр оси, мм	12
Длина ролика, мм	205
Единица измерения	шт.
Норма поставки, шт.	100

Артикул	Код	Вес, кг/шт.	Ось ролика
R-205-12-GG	401920900	0,26	Оцинкованная сталь



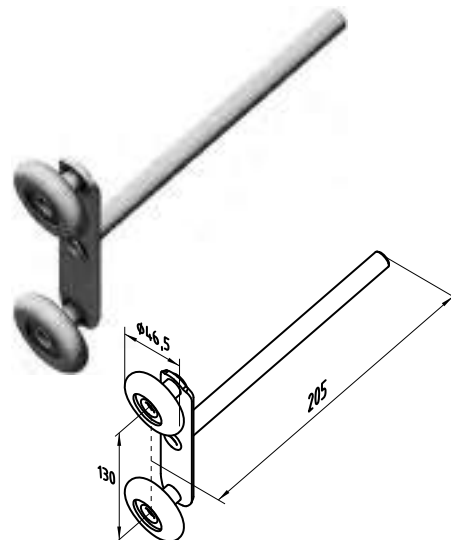
Ролик ходовой

Предназначен для установки в накладку роликую (RP121, RP122) на двойной кронштейн боковой (RBI123), двойной кронштейн верхний (RBI-45.127).

Используется в гаражных воротах всех типов монтажа шириной от 5005 до 6000 мм.

Диаметр оси, мм	12
Длина ролика, мм	205
Единица измерения	шт.
Норма поставки, шт.	30

Артикул	Код	Вес, кг/шт.	Ось ролика
R-205-12-SS-P	416000020	0,37	Нержавеющая сталь



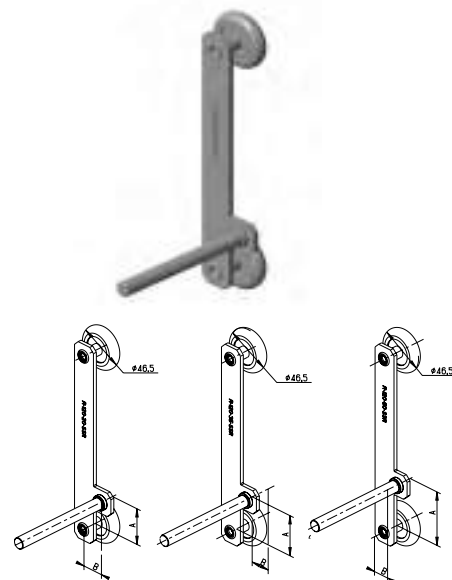
Ролик ходовой

Предназначен для установки в кронштейн роликый нижний RBI-45.200L, RBI-45.200R.

Используется в промышленных воротах низкого монтажа с передним расположением вала (тип 2).

Диаметр оси, мм	12
Вес, кг/шт.	0,50
Длина ролика, мм	120
Единица измерения	шт.
Норма поставки, шт.	100

Артикул	Код	Параметр А, мм	Параметр В, мм	Применение
R-120-20-SSL	416000032	40	24	Для ворот с калиткой с плоским порогом
R-120-20-SSR	416000035			
R-120-35-SSL	416000033	45	22	Для ворот без калитки, для ворот с калиткой с низким порогом
R-120-35-SSR	416000036			



ПРОФИЛИ ДЛЯ ПОЛОТНА ВОРОТ

УСТАНОВКА ПРОФИЛЯ КОНЦЕВОГО ВЕРХНЕГО



Профиль концевой верхний
PRG-14



Профиль концевой верхний
PRG-15

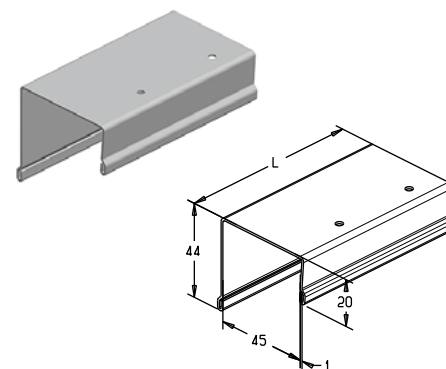
Профиль концевой (верхний)

Предназначен для установки на верхнюю панель полотна ворот.

Используется:

- в гаражных воротах с пружинами растяжения и торсионными пружинами всех типов монтажа;
- в промышленных воротах всех типов монтажа.

Материал оцинкованная сталь
 Покрытие полимерное
 Цвет бело-серый (близкий RAL 9002)
 Вес, кг/м 0,95
 Единица измерения м



Артикул	Код	Длина, мм	Норма поставки, м	Норма поставки, шт.
PRG-14	401411310	5720	572,00	100
		7040	704,00	
		10040	251,00	25

Профиль концевой (верхний)

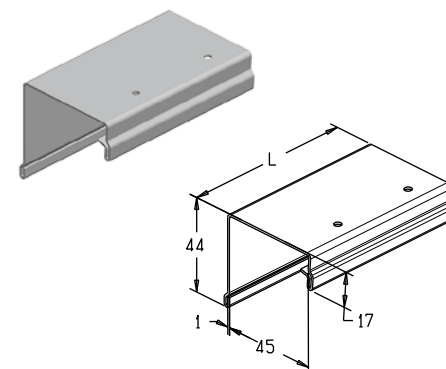
Предназначен для установки на верхнюю панель полотна ворот.

Используется:

- в гаражных воротах с пружинами растяжения и торсионными пружинами всех типов монтажа;
- в промышленных воротах всех типов монтажа.

Устанавливается на сэндвич-панель с горизонтальным гофром в том случае, если подрезка панели попадает на паз.

Материал оцинкованная сталь
 Покрытие полимерное
 Цвет бело-серый (близкий RAL 9002)
 Вес, кг/м 0,95
 Единица измерения м



Артикул	Код	Длина, мм	Норма поставки, м	Норма поставки, шт.
PRG-15	401411410	5720	457,60	80
		7040	563,20	
		10040	50,20	5

ПРОФИЛИ ДЛЯ ПОЛОТНА ВОРОТ

УСТАНОВКА ПРОФИЛЯ КОНЦЕВОГО НИЖНЕГО



Профиль концевой (нижний)

Предназначен для установки в нижнюю панель полотна ворот.

Используется:

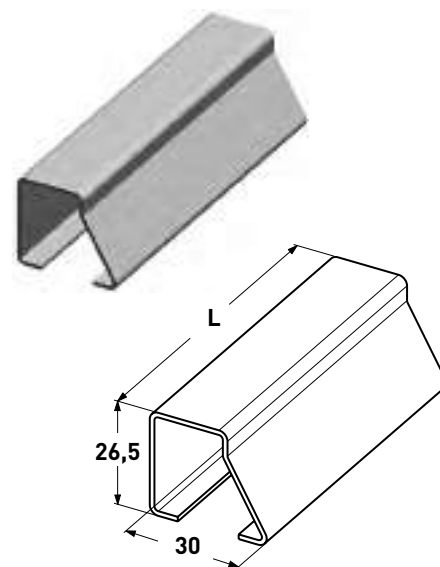
- в гаражных воротах с пружинами растяжения и торсионными пружинами всех типов монтажа;
- в промышленных воротах всех типов монтажа.

Материал оцинкованная сталь

Вес, кг/м 0,74

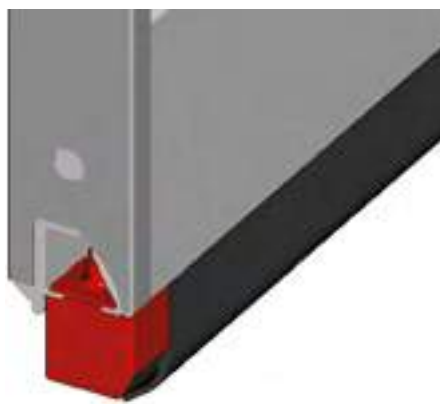
Единица измерения м

Артикул	Код	Длина, мм	Норма поставки, м	Норма поставки, шт.
PRG-11	401411000	5700	684,00	120
		7040	844,80	
		10040	301,20	30



ПРОФИЛИ ДЛЯ ПОЛОТНА ВОРОТ

УСТАНОВКА УПОРА НИЖНЕГО

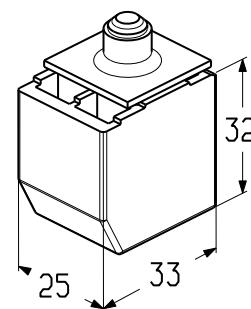
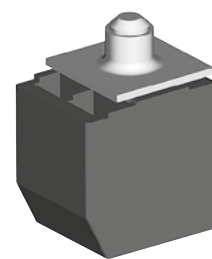
**Упор нижний**

Предназначен для установки в профиль воротный нижний (PRG-11).

Используется:

- в гаражных воротах с пружинами растяжения и торсионными пружинами всех типов монтажа;
- в промышленных воротах всех типов монтажа.

Материал HDPE
 Вес, кг/шт. 0,04
 Единица измерения шт.
 Норма поставки, шт. 60



Артикул	Код
LS1016	401940300

1.1

1.2

1.3

1.4

1.5

2

3

4

ПРОФИЛИ ДЛЯ ПОЛОТНА ВОРОТ

УСТАНОВКА ФАЛЬШПАНЕЛИ



Профиль воротный

Предназначен для изготовления фальшпанели.

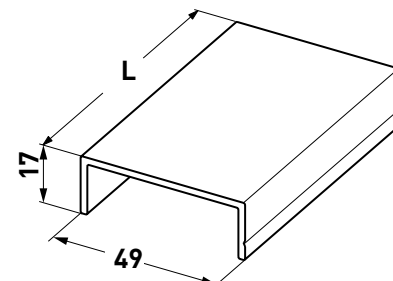
Используется:

- в гаражных воротах с пружинами растяжения и торсионными пружинами всех типов монтажа;
- в промышленных воротах всех типов монтажа.

Материал алюминий

Вес, кг/м 0,47

Единица измерения м



Артикул	Код	Покрытие	Цвет*	Длина, мм	Норма поставки, м	Норма поставки, шт.
PRD19.01	402980769	Анодированное	A00-D6	6000	72,00	12
	402980770	Порошковое	RAL 8019 30			
PRD19.01-7050	402982634	Анодированное	A00-D6	7050	84,60	12
	402982635	Порошковое	RAL 8019 30			

Кронштейн

Предназначен для крепления фальшпанели к верхней перемычке высотой до 65 мм.

Используется:

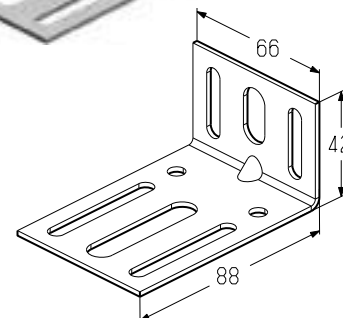
- в гаражных воротах с пружинами растяжения и торсионными пружинами всех типов монтажа;
- в промышленных воротах всех типов монтажа.

Материал оцинкованная сталь

Вес, кг/шт. 0,09

Единица измерения шт.

Норма поставки, шт. 200



Артикул	Код
FPB5007	401820100

* Указанные в формате RAL **** цвета имеют близкое соответствие шкале RAL.

ПРОФИЛИ ДЛЯ ПОЛОТНА ВОРОТ

УСТАНОВКА ФАЛЬШПАНЕЛИ

Пластина

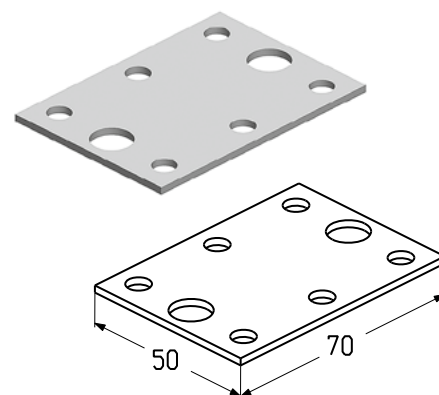
Предназначена для крепления фальшпанели к верхней перемычке высотой свыше 65 мм и боковым стенкам проема.

Используется:

- в гаражных воротах с пружинами растяжения и торсионными пружинами всех типов монтажа;
- в промышленных воротах всех типов монтажа.

Материал оцинкованная сталь
 Вес, кг/шт. 0,05
 Единица измерения шт.
 Норма поставки, шт. 300

Артикул	Код
FPP5008	401830100



Кронштейн

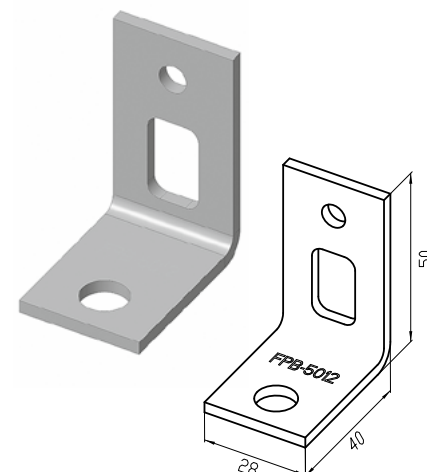
Предназначен для крепления фальшпанели к боковым стенкам проема.

Используется:

- в гаражных воротах с пружинами растяжения и торсионными пружинами всех типов монтажа;
- в промышленных воротах всех типов монтажа.

Материал оцинкованная сталь
 Вес, кг/шт. 0,05
 Единица измерения шт.
 Норма поставки, шт. 300

Артикул	Код
FPB-5012	406136755



Кронштейн

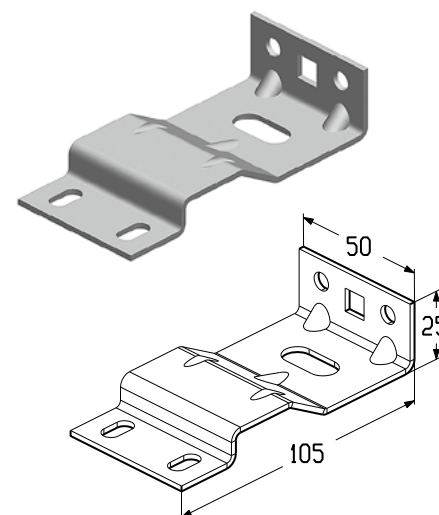
Предназначен для крепления фальшпанели к боковым стенкам проема. Устанавливается совместно с угловым профилем (PRG32H, PRG02H, PRG01).

Используется:

- в гаражных воротах высокого типа монтажа;
- в промышленных воротах высоких и вертикальных типов монтажа.

Материал оцинкованная сталь
 Вес, кг/шт. 0,10
 Единица измерения шт.
 Норма поставки, шт. 160

Артикул	Код
FPB5010	401820300



ПРОФИЛИ ДЛЯ ПОЛОТНА ВОРОТ

УСТАНОВКА ПРОФИЛЯ УСИЛИВАЮЩЕГО



Профиль усиливающий

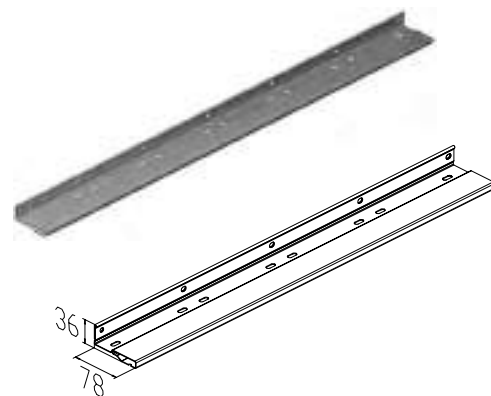
Используется в гаражных воротах:

- стандартного и низкого типа шириной от 5000 мм включительно (в качестве опции может применяться при ширине до 5000 мм);
- высокого типа монтажа при ширине более 4500 мм (в качестве опции может применяться при ширине до 4500 мм включительно).

Используется в промышленных воротах:

- всех типов монтажа (кроме высоких и вертикальных) при ширине от 5000 мм включительно (в качестве опции может применяться при ширине до 5000 мм);
- высоких и вертикальных типов монтажа при ширине более 4500 мм (в качестве опции может применяться при ширине до 4500 мм включительно).

Материал оцинкованная сталь
 Вес, кг/м 1,52
 Единица измерения м



Артикул	Код	Длина, мм	Норма поставки, м	Норма поставки, шт.
PRG-19	401437900	4290	257,40	60
		4620	277,20	
		4950	297,00	
		5610	366,60	
		6600	396,00	

Профиль усиливающий

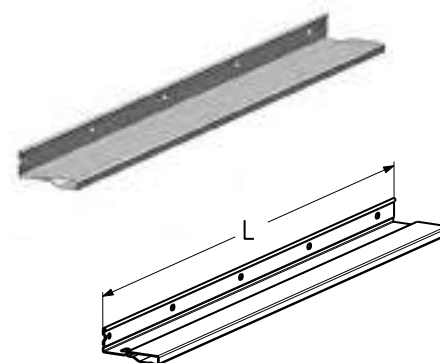
Используется в гаражных воротах с торсионными пружинами с панорамным остеклением (серия ПО):

- стандартного и низкого типа монтажа шириной более 5000 мм (в качестве опции может применяться при ширине до 5000 мм включительно);
- высокого типа монтажа при ширине более 4500 мм (в качестве опции может применяться при ширине до 4500 мм включительно).

Используется в промышленных воротах с панорамным остеклением (серий АЛП, АЛПС, ПО):

- всех типов монтажа (кроме высоких и вертикальных) шириной более 5000 мм (в качестве опции может применяться при ширине до 5000 мм включительно);
- высоких и вертикальных типах монтажа шириной более 4500 мм (в качестве опции может применяться при ширине до 4500 мм включительно).

Материал оцинкованная сталь
 Вес, кг/м 1,52
 Единица измерения м



Артикул	Код	Длина, мм	Норма поставки, м	Норма поставки, шт.
PRG-20	401438000	4620	277,20	60
		4950	297,00	
		5610	336,60	
		6600	396,00	

ПРОФИЛИ ДЛЯ ПОЛОТНА ВОРОТ

УСТАНОВКА ПРОФИЛЯ УСИЛИВАЮЩЕГО

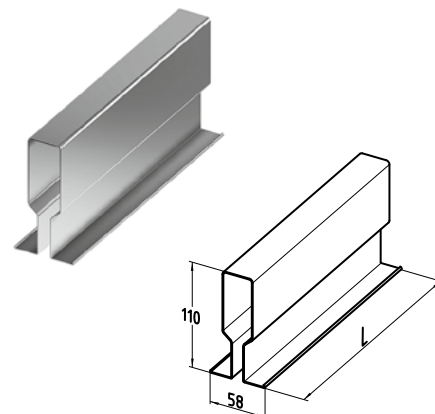
Профиль усиливающий

Используется:

- в стандартном комплекте промышленных ворот всех типов монтажа шириной >7000 мм;
- в качестве опции в промышленных воротах всех типов монтажа шириной ≥5000 мм.

Материал	оцинкованная сталь
Длина, мм	8020
Вес, кг/м	2,33
Единица измерения	м

Артикул	Код	Норма поставки, м	Норма поставки, шт.
PRG110-8020	401436000	200,20	25

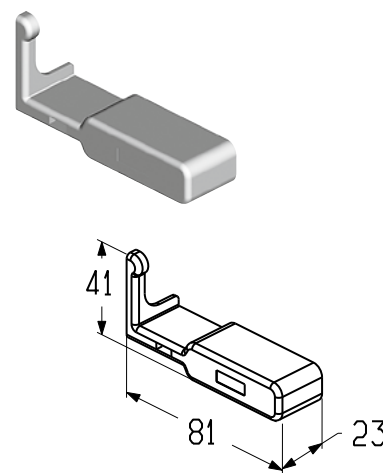


Заглушка

Устанавливается совместно с профилем усиливающим (PRG-19 и PRG-20).

Материал	ABS
Вес, кг/шт.	0,01
Единица измерения	шт.
Норма поставки, шт.	630

Артикул	Код	Примечание
P19R	401530500	Левая
P19L	401530400	Правая

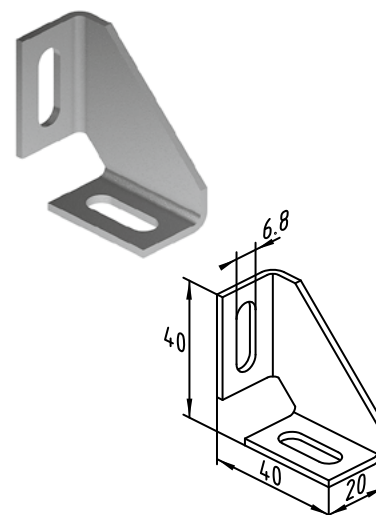


Кронштейн крепления усиливающего профиля

Используется в гаражных и промышленных воротах для крепления усиливающего профиля (PRG-19, PRG-20).

Материал	оцинкованная сталь
Вес, кг/шт.	0,03
Единица измерения	шт.
Норма поставки, шт.	300

Артикул	Код	Цвет*
B-1015	401200900	—
	401201000	RAL 9002



* Указанные в формате RAL **** цвета имеют близкое соответствие шкале RAL.

УПЛОТНИТЕЛИ РЕЗИНОВЫЕ

УСТАНОВКА ВСТАВКИ УПЛОТНИТЕЛЬНОЙ



Вставка уплотнительная нижняя



Вставка уплотнительная верхняя

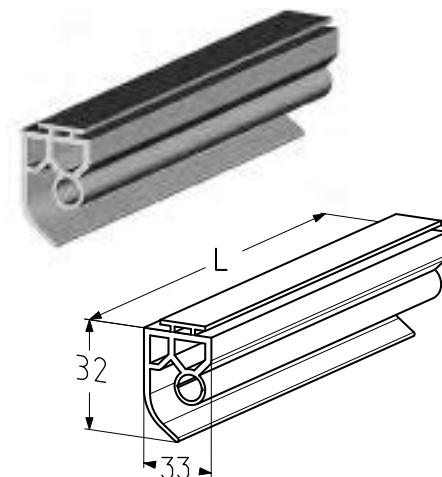
Вставка уплотнительная (нижняя)

Предназначена для герметизации нижней части проема. Устанавливается в профиль концевой нижней (PRG-11).

Используется:

- в гаражных воротах с пружинами растяжения и торсионными пружинами всех типов монтажа;
- в промышленных воротах всех типов монтажа.

Материал EPDM
 Вес, кг/м 0,50
 Единица измерения м
 Норма поставки, м 60



Артикул	Код
RSB20	417500204

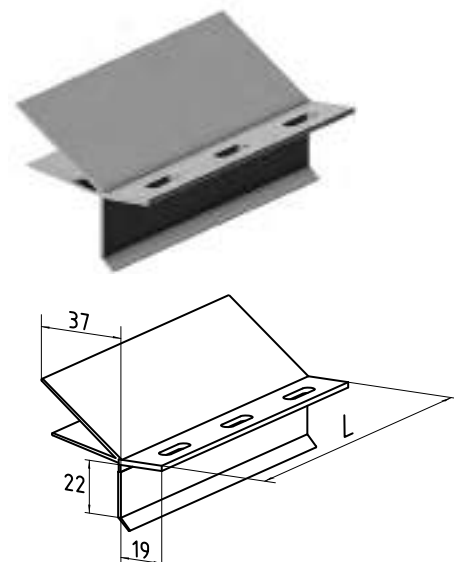
Вставка уплотнительная (верхняя)

Предназначена для герметизации верхней части проема. Устанавливается совместно с профилем концевым верхним (PRG-14, PRG-15).

Используется:

- в гаражных воротах высокого типа монтажа;
- в промышленных воротах всех типов монтажа, кроме низких (низкого, наклонного низкого, низкого с передним расположением вала, низкого с передним расположением вала (тип 2)).

Материал RPVC + TPE
 Вес, кг/м 0,30
 Единица измерения м
 Норма поставки, м 180



Артикул	Код
RST01	401520100

АКСЕССУАРЫ ДЛЯ СЕКЦИОННЫХ ВОРОТ

УСТАНОВКА РУЧКИ



Ручка HG1009
Внешняя сторона



Ручка HG1009
Внутренняя сторона

Ручка

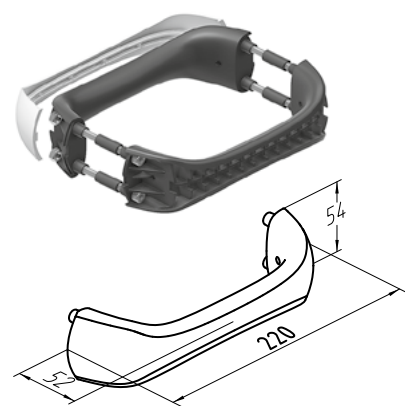
Предназначена для подъема полотна гаражных ворот с пружинами растяжения и торсионными пружинами всех типов монтажа, кроме высокого.

В комплект входит:

- двухсторонняя ручка;
- крышка для внутренней ручки, цвет близкий к RAL 9002.

Материал полиамид
Цвет черный
Вес, кг/шт. 0,24
Единица измерения шт.
Норма поставки, шт. 1

Артикул	Код
HG1009	418700072

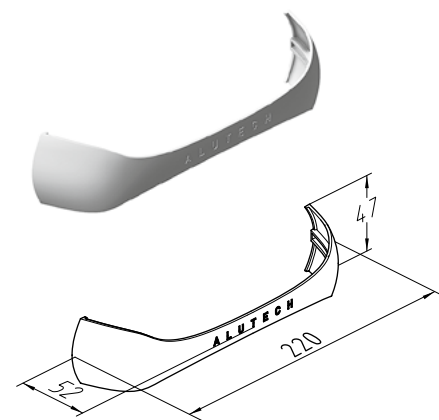


Крышка

Используется совместно с ручкой (HG1009).

Материал ABS
Вес, кг/шт. 0,02
Единица измерения шт.
Норма поставки, шт. 1

Артикул	Код	Цвет*
HG1009.002.01	418700100	RAL 9016
HG1009.002.02	418700101	RAL 8014
HG1009.002.03	418700102	RAL 9006
HG1009.002.04	418700103	RAL 5010
HG1009.002.09	418700104	RAL 6005
HG1009.002.10	418700105	RAL 1015
HG1009.002.12	418700106	RAL 3004
HG1009.002.15	418700107	RAL 9002
HG1009.002.16	418700108	RAL 7016
HG1009.002.17	418700109	RAL 8017
HG1009.002.18	418700110	RAL 9005
HG1009.002.19	418700111	Gold
HG1009.002.20	418700112	Silver
HG1009.002.22	418700192	Black chrome



* Указанные в формате RAL **** цвета имеют близкое соответствие шкале RAL.

АКСЕССУАРЫ ДЛЯ СЕКЦИОННЫХ ВОРОТ

УСТАНОВКА РУЧКИ



Ручка HG008
Внутренняя сторона



Ручка HGI007
Внешняя сторона

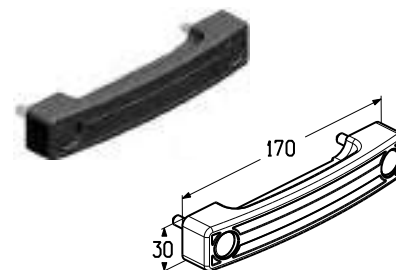


Ручка HGI007
Внутренняя сторона

Ручка

Предназначена для подъема полотна гаражных и промышленных ворот с пружинами растяжения и торсионными пружинами всех типов монтажа без встроенной калитки или усиливающих профилей. Устанавливается с внутренней стороны ворот.

Материал ABC
Цвет черный
Вес, кг/шт. 0,08
Единица измерения шт.
Норма поставки, шт. 1

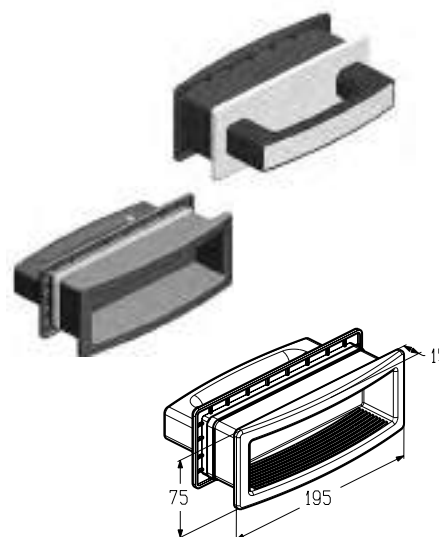


Артикул	Код
HG008	407410300

Ручка

Предназначена для подъема полотна промышленных ворот всех типов монтажа и гаражных высокого типа монтажа.

Материал полипропилен
Цвет черный
Вес, кг/шт. 0,59
Единица измерения шт.
Норма поставки, шт. 1



Артикул	Код
HGI007	407410200

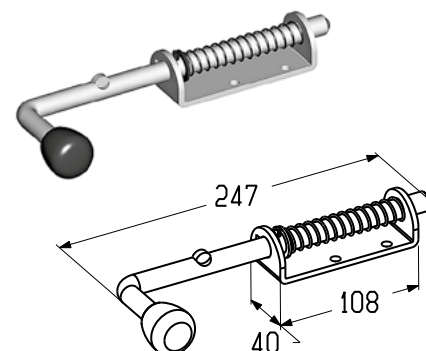
АКСЕССУАРЫ ДЛЯ СЕКЦИОННЫХ ВОРОТ

Засов

Предназначен для запираения гаражных ворот с торсионными пружинами и промышленных ворот всех типов монтажа.

Материал оцинкованная сталь
 Вес, кг/шт. 0,51
 Единица измерения шт.
 Норма поставки, шт. 20

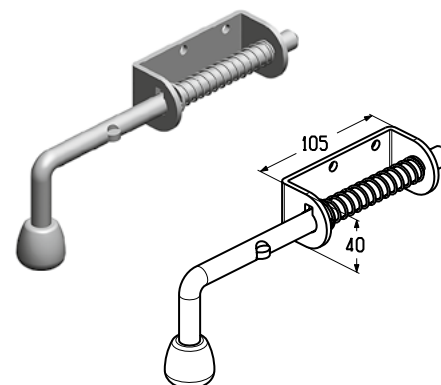
Артикул	Код
SB0100	401960000

**Засов**

Предназначен для запираения гаражных ворот с пружинами растяжения.

Материал оцинкованная сталь
 Вес, кг/шт. 0,58
 Единица измерения шт.
 Норма поставки, шт. 50

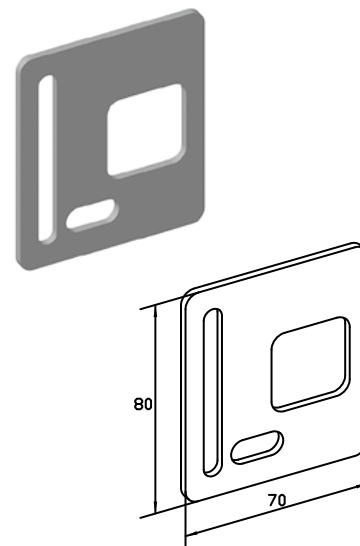
Артикул	Код
SB0101S	401960100

**Кронштейн**

Предназначен для установки совместно с профилем угловым и засовами (SB0100 и SB0101S).
 Используется в гаражных воротах с пружинами растяжения и торсионными пружинами всех типов монтажа, промышленных воротах всех типов монтажа.

Материал оцинкованная сталь
 Вес, кг/шт. 0,10
 Единица измерения шт.
 Норма поставки, шт. 200

Артикул	Код
LP-3009H	406136775



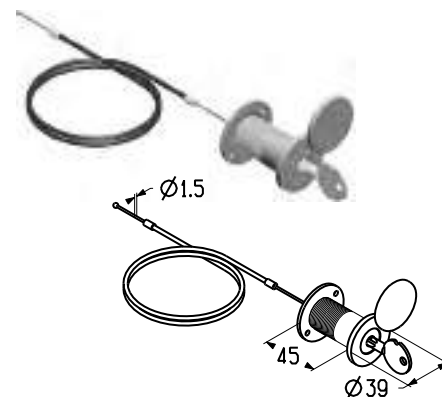
АКСЕССУАРЫ ДЛЯ СЕКЦИОННЫХ ВОРОТ

Комплект механизма разблокировки

Предназначен для разблокировки электропривода реечного типа.
Используется в гаражных воротах с пружинами растяжения и торсионными пружинами всех типов монтажа.

Единица измерения	шт.
Длина троса, мм	4500
Вес, кг/шт.	0,52
Норма поставки, шт.	4

Артикул	Код
RM0104-4500	401971800



Трос разблокировки

Предназначен для разблокировки электропривода реечного типа.
Используется совместно с комплектом замка RLG004-01P.

Состав:

- трос разблокировки;
- комплект крепежа (винты самонарезающие, скобы, хомуты).

Единица измерения	шт.
Норма поставки, шт.	1

Артикул	Код	Длина, мм	Вес, кг/шт.
RK-4500	401971600	4500	0,56
RK-6000	401971700	6000	0,65

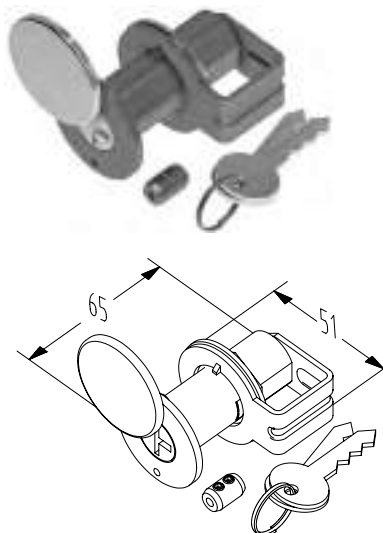


Механизм разблокировки

Предназначен для разблокировки электропривода реечного типа.
Входит в состав комплекта механизма разблокировки арт. RM0104-4500.

Вес, кг/шт.	0,19
Единица измерения	шт.
Норма поставки, шт.	1

Артикул	Код
RM0104	401971500



АКСЕССУАРЫ ДЛЯ СЕКЦИОННЫХ ВОРОТ

УСТАНОВКА УСТРОЙСТВА ЗАПИРАЮЩЕГО ДЛЯ ГАРАЖНЫХ ВОРОТ



Внешняя сторона



Внутренняя сторона

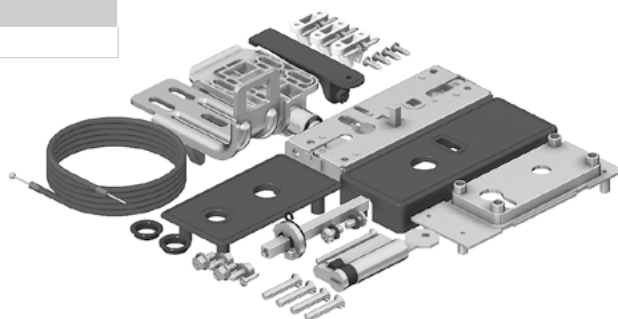
Комплект замка

Предназначен для запираения гаражных ворот с пружинами растяжения и торсионными пружинами стандартного и низкого типов монтажа.

Используется совместно с комплектом ручек (RLG004-02P).

Вес, кг/шт.	2,23
Единица измерения	шт.
Норма поставки, шт.	1

Артикул	Код
RLG004-01P	415700108



Комплект ручек

Предназначен для запираения гаражных ворот с пружинами растяжения и торсионными пружинами.

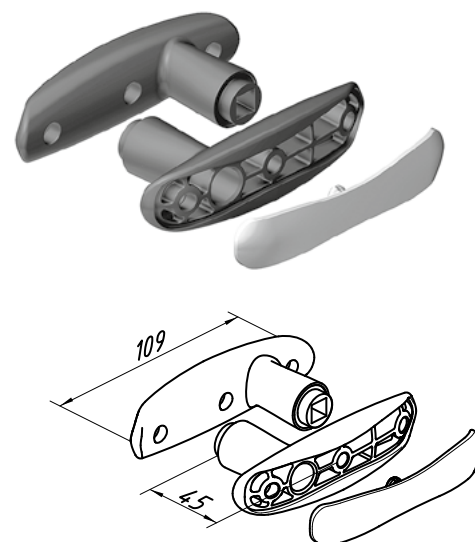
Используется совместно с комплектом замка (RLG004-01P).

В комплект входит:

- двухсторонняя ручка;
- крышка для внутренней ручки, цвет близкий к RAL 9002.

Вес, кг/шт.	0,36
Единица измерения	шт.
Норма поставки, шт.	1

Артикул	Код
RLG004-02P	415700109



АКСЕССУАРЫ ДЛЯ СЕКЦИОННЫХ ВОРОТ

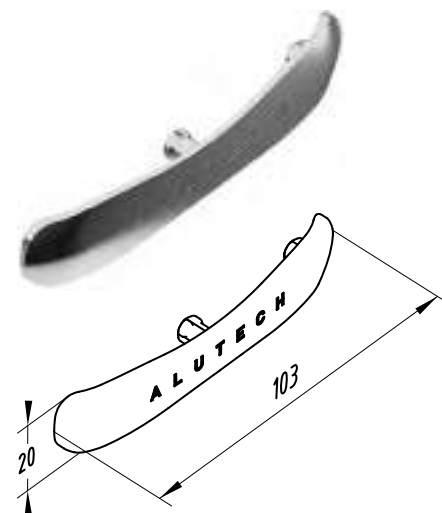
УСТАНОВКА УСТРОЙСТВА ЗАПИРАЮЩЕГО ДЛЯ ГАРАЖНЫХ ВОРОТ

Крышка

Используется совместно с комплектом ручек (RLG004-02P).

Материал ABS
 Вес, кг/шт. 0,01
 Единица измерения шт.
 Норма поставки, шт. 1

Артикул	Код	Цвет*
RLG004.226.01	418700074	RAL 9016
RLG004.226.02	418700075	RAL 8014
RLG004.226.03	418700076	RAL 9006
RLG004.226.04	418700077	RAL 5010
RLG004.226.09	418700078	RAL 6005
RLG004.226.10	418700079	RAL 1015
RLG004.226.12	418700080	RAL 3004
RLG004.226.15	418700081	RAL 9002
RLG004.226.16	418700082	RAL 7016
RLG004.226.17	418700083	RAL 8017
RLG004.226.18	418700084	RAL 9005
RLG004.226.19	418700085	Gold
RLG004.226.20	418700086	Silver
RLG004.226.22	418700195	Black chrome

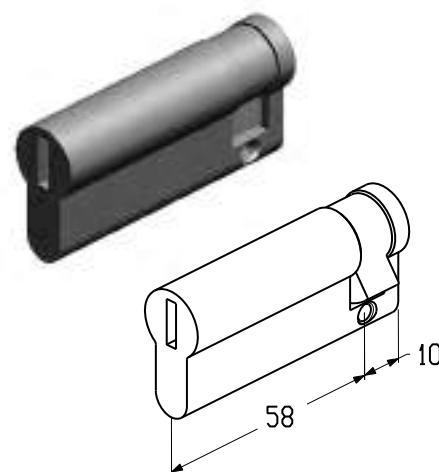


Цилиндрический механизм 10/58 мм

Используется совместно с комплектом замка (RLG004-01P).

Вес, кг/шт. 0,20
 Единица измерения шт.
 Норма поставки, шт. 1

Артикул	Код
C-10/58	418700053



* Указанные в формате RAL **** цвета имеют близкое соответствие шкале RAL.

АКСЕССУАРЫ ДЛЯ СЕКЦИОННЫХ ВОРОТ

УСТАНОВКА ЗАМКА РИГЕЛЬНОГО ДЛЯ ПРОМЫШЛЕННЫХ ВОРОТ



Внешняя сторона



Внутренняя сторона

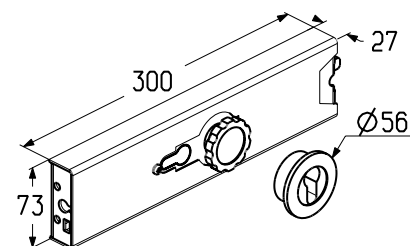
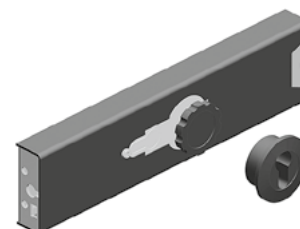
Замок ригельный

Предназначен для запирания промышленных ворот всех типов монтажа, кроме низкого с передним расположением вала (тип 2).

Используется совместно с цилиндрическим механизмом 9/57 мм (C-9/57).

Вес, кг/шт. 1,85
 Единица измерения шт.
 Норма поставки, шт. 3

Артикул	Код
RLI0103	401970600

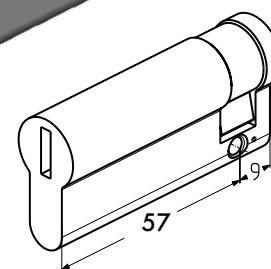
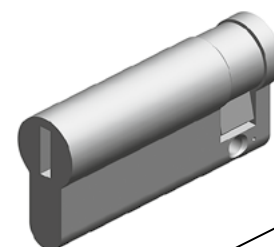
**Цилиндрический механизм 9/57 мм**

Предназначен для запирания промышленных ворот всех типов монтажа.

Используется совместно с замком ригельным (RLI0103).

Вес, кг/шт. 0,25
 Единица измерения шт.
 Норма поставки, шт. 3

Артикул	Код
C-9/57	401970700



АКСЕССУАРЫ ДЛЯ СЕКЦИОННЫХ ВОРОТ

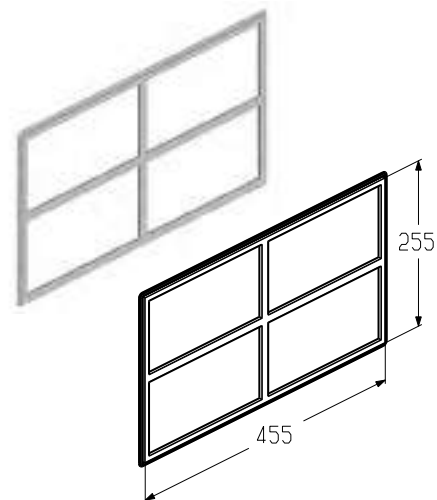
Вставка декоративная Cross

Предназначена для установки совместно с заполнением светопрозрачным и комплектом рамок в составе вставок светопрозрачных (W043WH-CG, W043WH-TG, W043WH-MG, W043WH-GG, W043BR-CG, W043BR-TG, W043BR-MG, W043BR-GG).

Используется для остекления гаражных и промышленных ворот с рисунком полотна микроволна, S-, M-, L-гофр.

Вес, кг/шт. 1,10
Единица измерения шт.
Норма поставки, шт. 80

Артикул	Код	Примечание
DIC043WH	401983400	Белый
DIC043BR	401983500	Коричневый



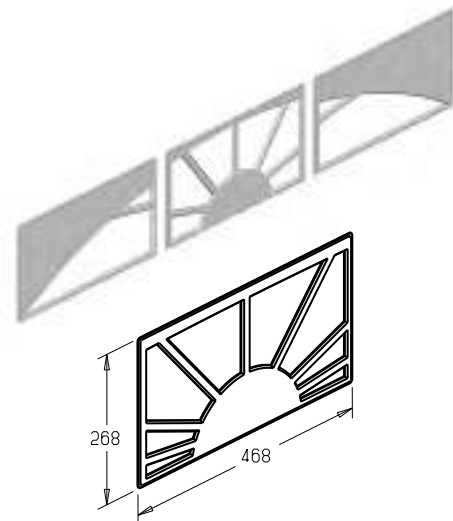
Комплект вставок декоративных Sunrise 3

Предназначена для установки совместно с заполнением светопрозрачным и комплектом рамок в составе вставок светопрозрачных (W043WH-CG, W043WH-TG, W043WH-MG, W043WH-GG, W043BR-CG, W043BR-TG, W043BR-MG, W043BR-GG).

Используется для остекления гаражных и промышленных ворот с рисунком полотна микроволна, S-, M-, L-гофр.

Вес, кг/шт. 0,49
Единица измерения шт.
Норма поставки, шт. 20

Артикул	Код	Примечание
DIS043WH-3	401982500	Белый
DIS043BR-3	401981900	Коричневый



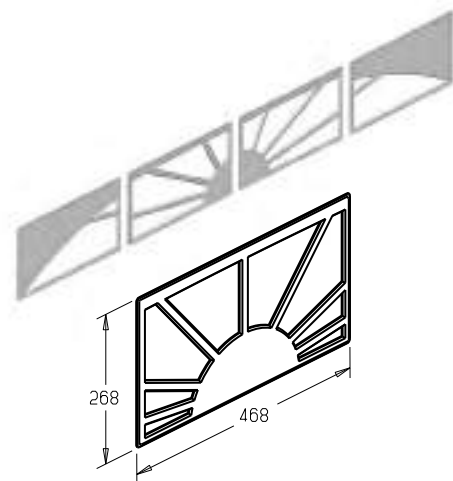
Комплект вставок декоративных Sunrise 4

Предназначена для установки совместно с заполнением светопрозрачным и комплектом рамок в составе вставок светопрозрачных (W043WH-CG, W043WH-TG, W043WH-MG, W043WH-GG, W043BR-CG, W043BR-TG, W043BR-MG, W043BR-GG).

Используется для остекления гаражных и промышленных ворот с рисунком полотна микроволна, S-, M-, L-гофр.

Вес, кг/шт. 0,58
Единица измерения шт.
Норма поставки, шт. 20

Артикул	Код	Примечание
DIS043WH-4	401981500	Белый
DIS043BR-4	401982600	Коричневый



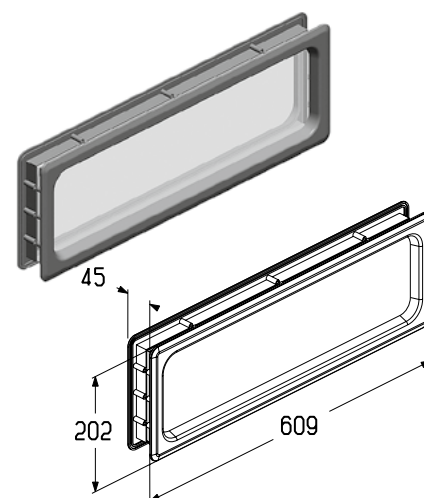
АКСЕССУАРЫ ДЛЯ СЕКЦИОННЫХ ВОРОТ

Вставка светопрозрачная

Используется в гаражных и промышленных воротах с рисунком полотна микроволна, S-, M-, L-гофр.

Материал акрил
 Вес, кг/шт. 1,30
 Единица измерения шт.
 Норма поставки, шт. 12

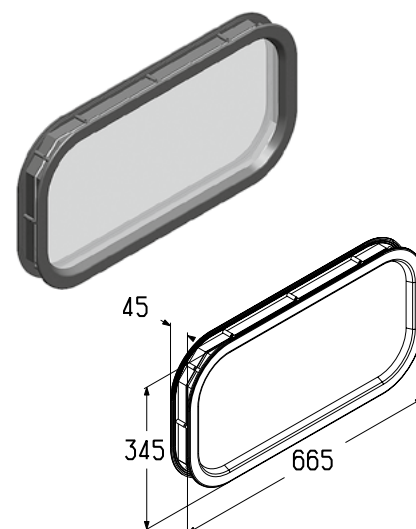
Артикул	Код
W085	401980400

**Вставка светопрозрачная**

Используется в гаражных и промышленных воротах с рисунком полотна микроволна, S-, M-, L-гофр.

Материал акрил
 Вес, кг/шт. 2,10
 Единица измерения шт.
 Норма поставки, шт. 8

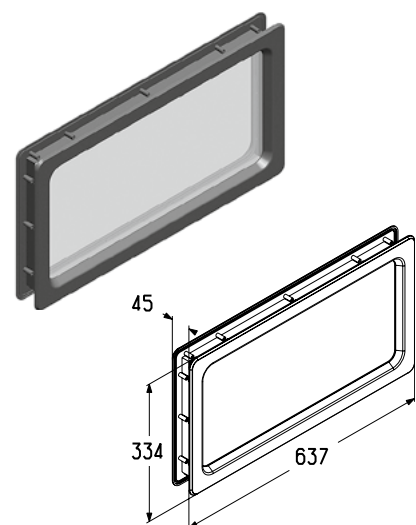
Артикул	Код
W095	401980500

**Вставка светопрозрачная**

Используется в гаражных и промышленных воротах с рисунком полотна микроволна, S-, M-, L-гофр.

Материал акрил
 Вес, кг/шт. 2,30
 Единица измерения шт.
 Норма поставки, шт. 8

Артикул	Код
W046	401980100



1.1

1.2

1.3

1.4

1.5

2

3

4

АКСЕССУАРЫ ДЛЯ СЕКЦИОННЫХ ВОРОТ

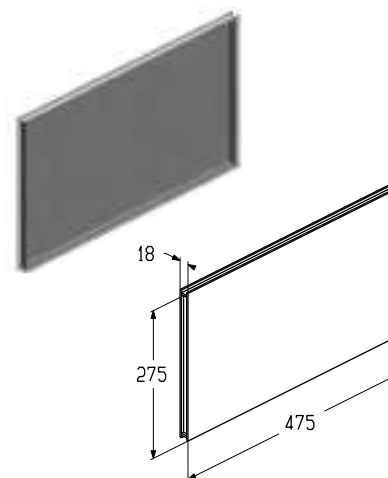
Заполнение светопрозрачное

Используется для остекления гаражных и промышленных ворот с рисунком полотна микроволна, S-, M-, L-гофр, филенка в составе вставок светопрозрачных арт. **W043WH-CG, W043BR-CG, W043WH-TG, W043BR-TG, W043WH-MG, W043BR-MG, W043WH-GG, W043BR-GG.**

Применяется совместно с комплектом рамок оконных **W043-WH, W043-BR.**

Материал	SAN
Вес, кг/шт.	1,15
Единица измерения	шт.
Норма поставки, шт.	10

Артикул	Код	Тип остекления
W043-CG	401985900	SAN-остекление кристаллическое
W043-TG	401986000	SAN-остекление прозрачное
W043-MG	417500275	SAN-остекление опаловое матовое
W043-GG	417500325	SAN-остекление серое прозрачное



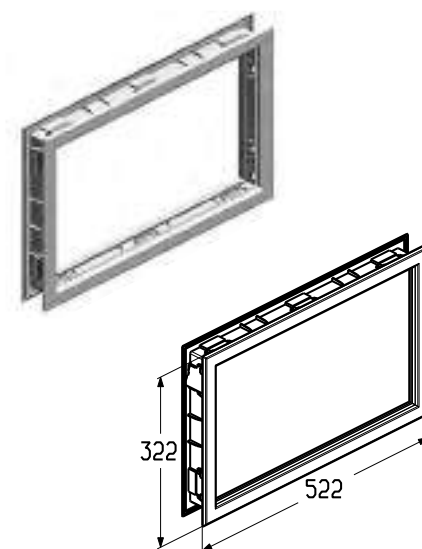
Комплект рамок

Используется для остекления гаражных и промышленных ворот с рисунком полотна микроволна, S-, M-, L-гофр, филенка в составе вставок светопрозрачных арт. **W043WH-CG, W043BR-CG, W043WH-TG, W043BR-TG, W043WH-MG, W043BR-MG, W043WH-GG, W043BR-GG.**

Применяется совместно с заполнением светопрозрачным арт. **W043-CG, W043-TG, W043-MG, W043-GG.**

Материал	ABS
Вес, кг/шт.	1,95
Толщина, мм	45
Единица измерения	шт.
Норма поставки, шт.	10

Артикул	Код	Цвет рамы с наружной стороны
W043-WH	401986500	Белый
W043-BR	401986600	Коричневый



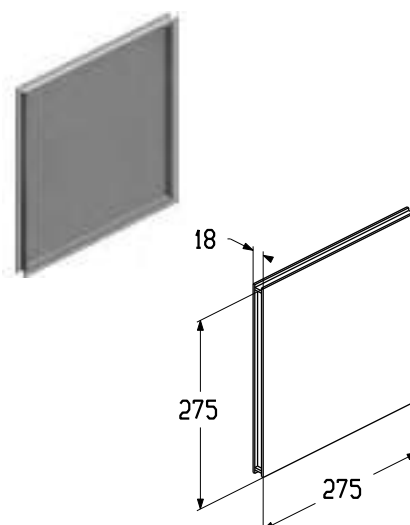
Заполнение светопрозрачное

Используется для остекления гаражных и промышленных ворот с рисунком полотна микроволна, S-, M-, L-гофр в составе вставок светопрозрачных арт. **W050WH-CG, W050BR-CG, W050WH, W050BR, W050WH-MG, W050BR-MG, W050WH-GG, W050BR-GG.**

Применяется совместно с комплектом рамок оконных **W050-WH, W050-BR.**

Материал	SAN
Вес, кг/шт.	0,97
Единица измерения	шт.
Норма поставки, шт.	10

Артикул	Код	Тип остекления
W050-CG	401986300	SAN-остекление кристаллическое
W050-TG	401986100	SAN-остекление прозрачное
W050-MG	417500276	SAN-остекление опаловое матовое
W050-GG	417500326	SAN-остекление серое прозрачное



АКСЕССУАРЫ ДЛЯ СЕКЦИОННЫХ ВОРОТ

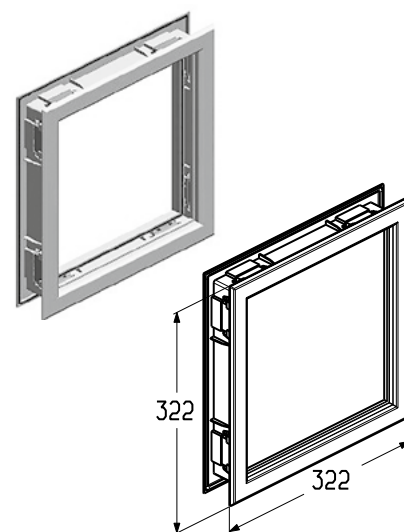
Комплект рамок

Используется для остекления гаражных и промышленных ворот с рисунком полотна микроволна, S-, M-, L-гофр в составе вставок светопрозрачных арт. W050WH-CG, W050BR-CG, W050WH, W050BR, W050WH-MG, W050BR-MG, W050WH-GG, W050BR-GG.

Применяется совместно с заполнением светопрозрачным арт. W050-CG, W050-TG, W050-MG, W050-GG.

Материал	ABS
Вес, кг/шт.	1,59
Толщина, мм	45
Единица измерения	шт.
Норма поставки, шт.	10

Артикул	Код	Цвет рамы с наружной стороны
W050-WH	401986700	Белый
W050-BR	401986800	Коричневый



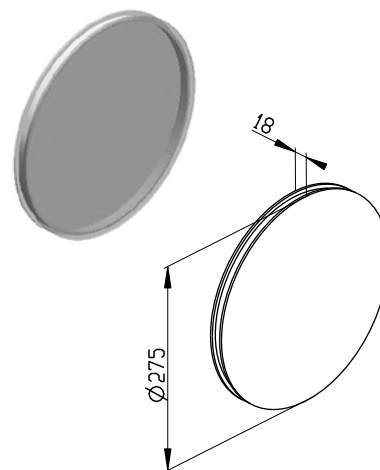
Заполнение светопрозрачное

Используется для остекления гаражных и промышленных ворот с рисунком полотна микроволна, S-, M-, L-гофр в составе вставок светопрозрачных арт. W060WH-CG, W060BR-CG, W060WH, W060BR, W060WH-MG, W060BR-MG, W060WH-GG, W060BR-GG.

Применяется совместно с комплектом рамок оконных W060-WH, W060-BR.

Материал	SAN
Вес, кг/шт.	0,98
Единица измерения	шт.
Норма поставки, шт.	10

Артикул	Код	Тип остекления
W060-CG	401986400	SAN-остекление кристаллическое
W060-TG	401986200	SAN-остекление прозрачное
W060-MG	417500277	SAN-остекление опаловое матовое
W060-GG	417500327	SAN-остекление серое прозрачное



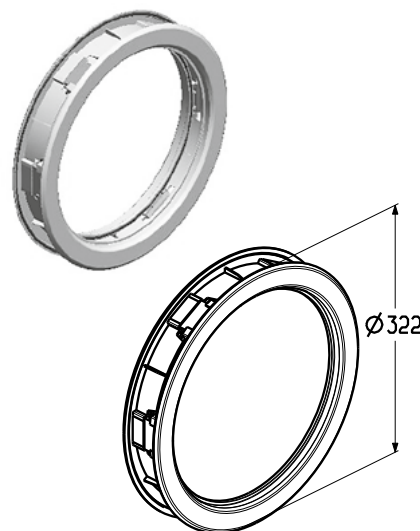
Комплект рамок

Используется для остекления гаражных и промышленных ворот с рисунком полотна микроволна, S-, M-, L-гофр в составе вставок светопрозрачных арт. W060WH-CG, W060BR-CG, W060WH, W060BR, W060WH-MG, W060BR-MG, W060WH-GG, W060BR-GG.

Применяется совместно с заполнением светопрозрачным арт. W060-CG, W060-TG, W060-MG, W060-GG.

Материал	ABS
Вес, кг/шт.	1,47
Толщина, мм	45
Единица измерения	шт.
Норма поставки, шт.	10

Артикул	Код	Цвет рамы с наружной стороны
W060-WH	401986900	Белый
W060-BR	401987000	Коричневый



АКСЕССУАРЫ ДЛЯ СЕКЦИОННЫХ ВОРОТ

УСТАНОВКА ЗАГЛУШКИ И ЗАГЛУШКИ МЕЖПАНЕЛЬНОЙ



**Заглушка межпанельная
P-1501**



**Заглушка
P-1502**

Заглушка межпанельная

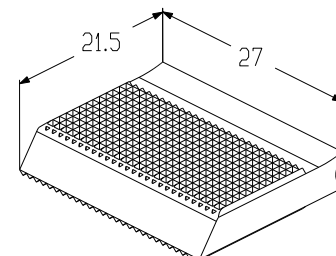
Устанавливается совместно с боковой накладкой (EC-45.450R/L, EC-45.500R/L, EC-45.625R/L, EC-45.450DR/L, EC-45.500DR/L, EC-45.625DR/L).

Используется в гаражных и промышленных воротах с рисунками полотна S-, M- и L-гофр.

Материал	TPER
Вес, кг/шт.	0,003
Единица измерения	шт.
Норма поставки, шт	5000



Артикул	Код
P-1501	401990100



Заглушка

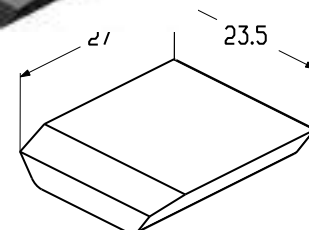
Устанавливается совместно с боковой накладкой (EC-45.450R/L, EC-45.500R/L, EC-45.625R/L, EC-45.450DR/L, EC-45.500DR/L, EC-45.625DR/L).

Используется в гаражных и промышленных воротах с рисунками полотна S- и M-гофр.

Материал	TPER
Вес, кг/шт.	0,001
Единица измерения	шт.
Норма поставки, шт	5000

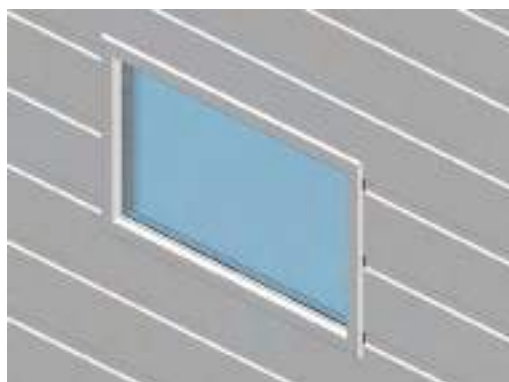


Артикул	Код
P-1502	401990200



АКСЕССУАРЫ ДЛЯ СЕКЦИОННЫХ ВОРОТ

УСТАНОВКА ЗАГЛУШКИ ОКОННОЙ



Заглушка оконная

Заглушка оконная

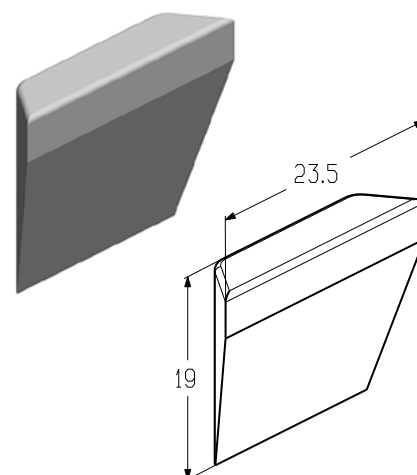
Устанавливается совместно со вставками светопрозрачными:

- W085, W095, W046;
- W043WH-TG, W043WH-CG, W043WH-MG, W043WH-GG, W043BR-TG, W043BR-CG, W043BR-MG, W043BR-GG;
- W050WH, W050WH-CG, W050WH-MG, W050WH-GG, W050BR, W050BR-CG, W050BR-MG, W050WH-GG;
- W060WH, W060WH-CG, W060WH-MG, W060WH-GG, W060BR, W060BR-CG, W060BR-MG, W060BR-GG.

Применяется в гаражных и промышленных воротах рисунками полотна S- и М-гофр.

Материал полиуретан
 Вес, кг/шт. 0,002
 Единица измерения шт.
 Норма поставки, шт 6000

Артикул	Код
P1012	401982400



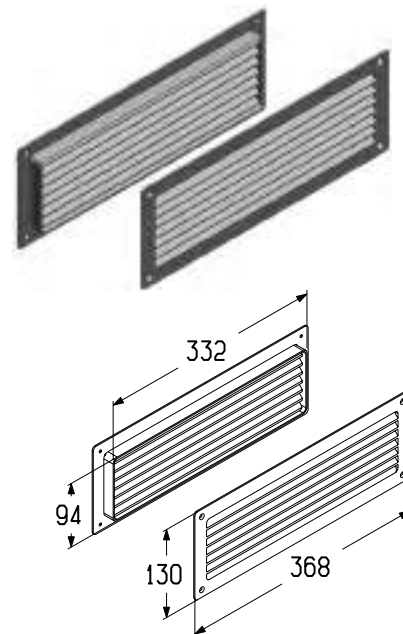
АКСЕССУАРЫ ДЛЯ СЕКЦИОННЫХ ВОРОТ

Решетка вентиляционная

Используется в гаражных и промышленных воротах с рисунками полотна микроволна, S-, M- и L-гофр.

Материал пластмасса
 Вес, кг/к-т 0,48
 Единица измерения к-т
 Норма поставки, к-т 10

Артикул	Код	Тип	Цвет с наружной стороны	Состав комплекта		
				Артикул	Код	Количество
VG-368RWH	401900000	регулируемая	Белый	MV350Rs-W	4000358	1
				MV350s-W	4000357	1
			3,9×19 сверл.	1598	8	
VG-368RBK	401900100		Черный	MV350Rs-W	4000358	1
				MV350s-B	4000359	1
			3,9×19 сверл.	1598	8	
VG-368WH	401900200	нерегулируемая	Белый	MV350s-W	4000357	2
				3,9×19 сверл.	1598	8
VG-368BK	401900300		Черный	MV350s-W	4000357	1
				MV350s-B	4000359	1
3,9×19 сверл.	1598		8			



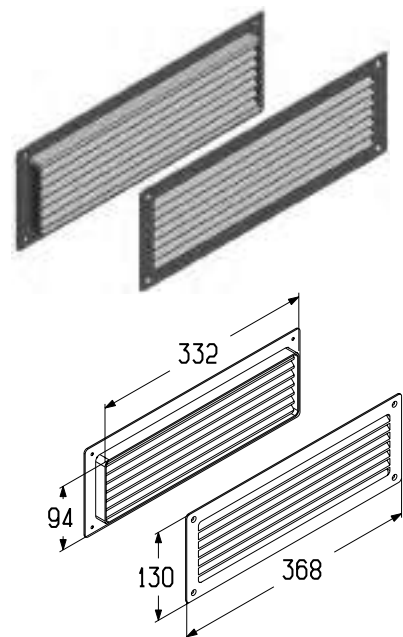
Решетка вентиляционная регулируемая (белая)

Решетка вентиляционная нерегулируемая (белая/черная)

Используется в гаражных и промышленных воротах с рисунками полотна микроволна, S-, M- и L-гофр.

Материал пластмасса
 Единица измерения шт.
 Норма поставки, шт. 10

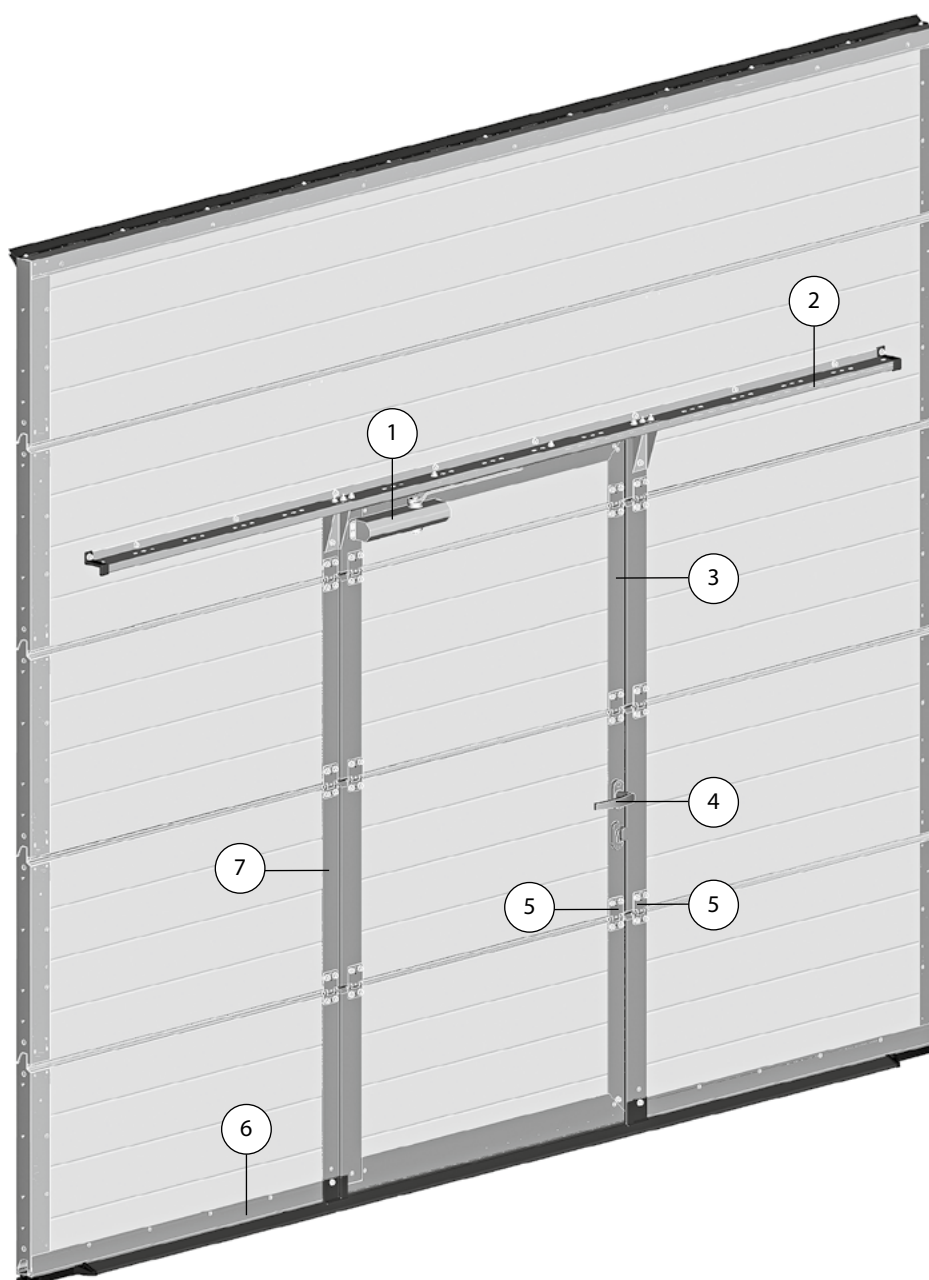
Артикул	Код	Тип решетки	Вес, кг	Цвет
MV350Rs-W	4000358	регулируемая	0,24	Белый
MV350s-W	4000357	нерегулируемая	0,16	
MV350s-B	4000359			0,17



1.3

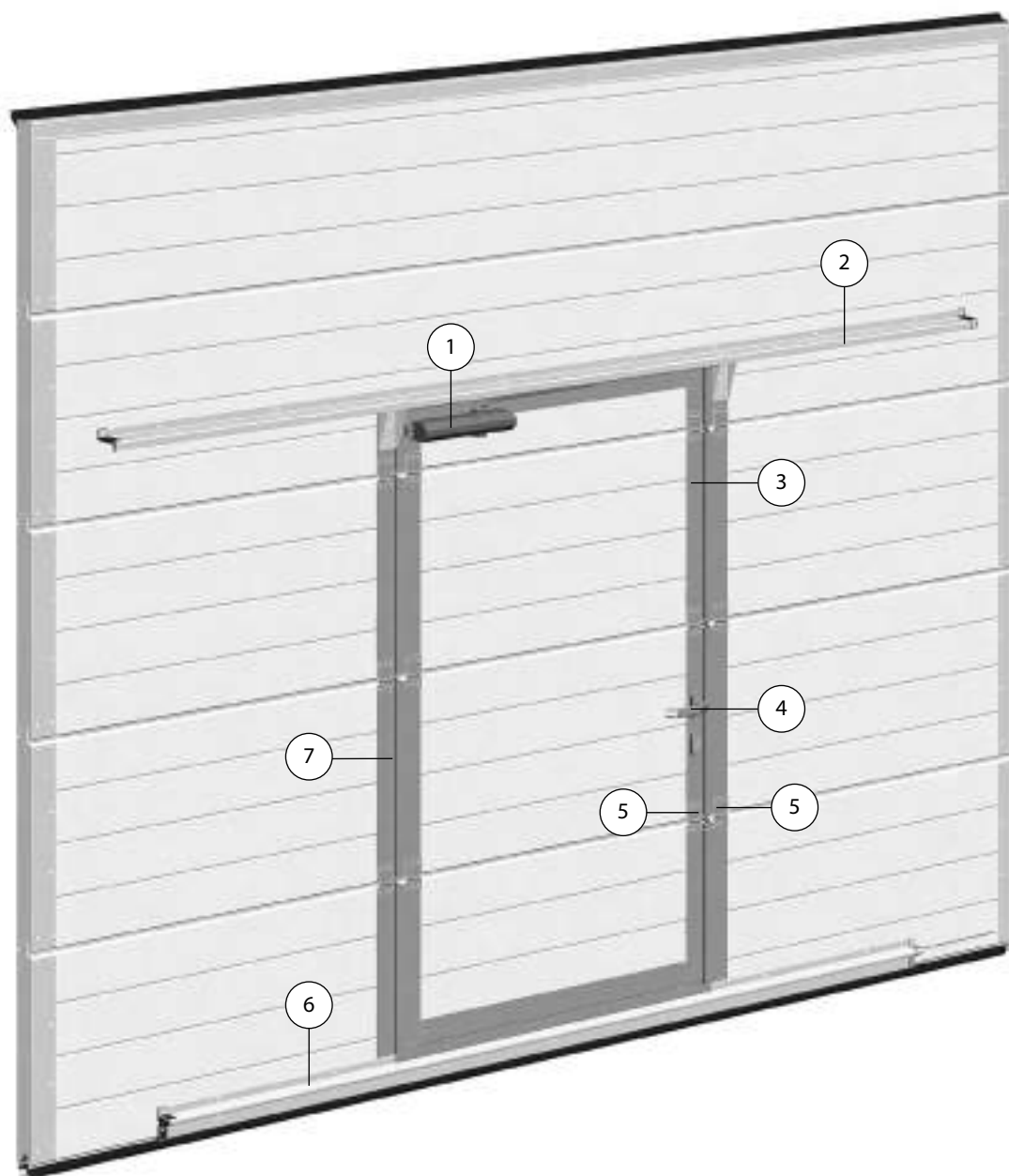
Встроенная калитка

ТИПОВАЯ КОНСТРУКЦИЯ КАЛИТКИ С ПЛОСКИМ ПОРОГОМ ВЫСОТОЙ 20 ММ



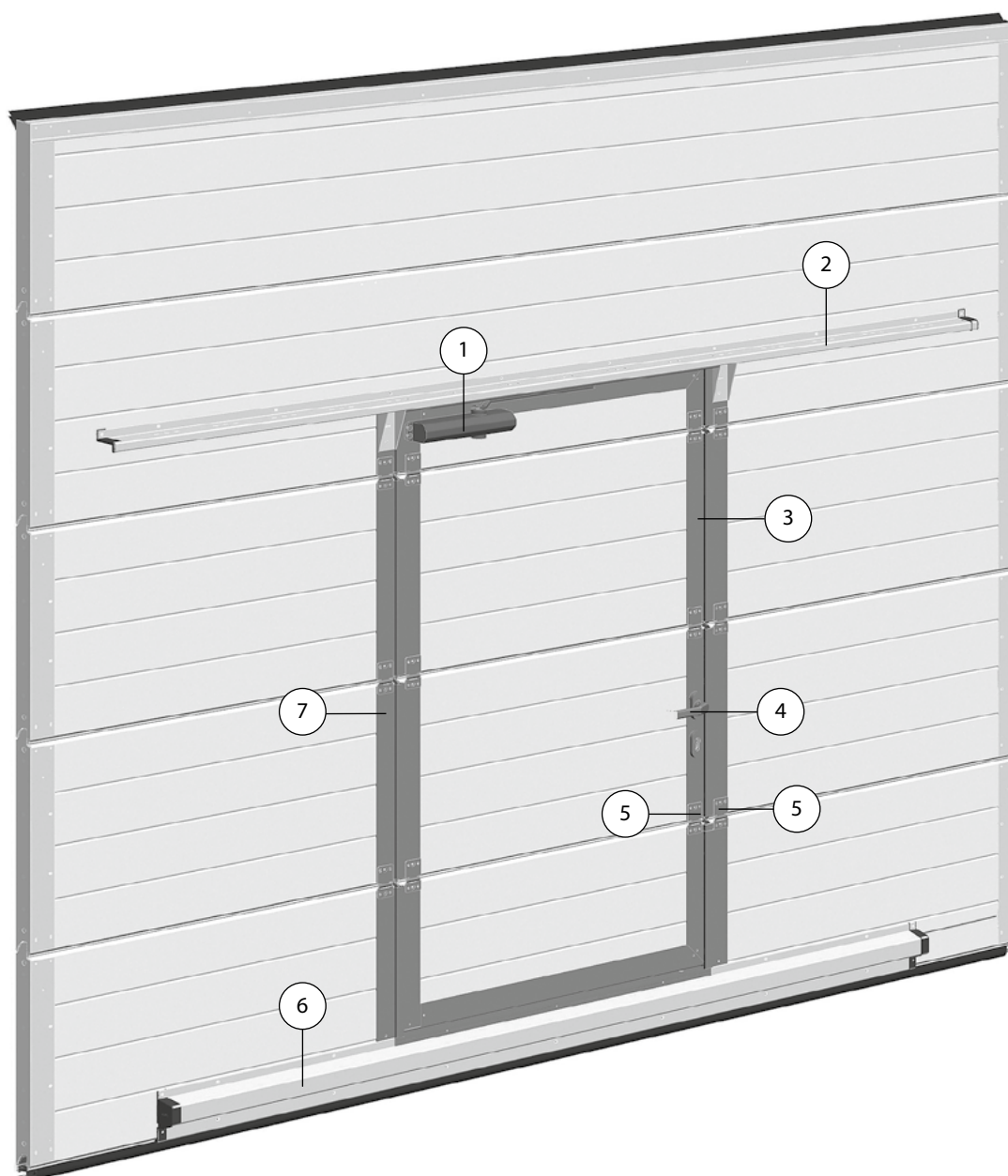
№	Наименование
1	Доводчик дверной
2	Профиль усиливающий (PRG-17)
3	Обрамление калитки
4	Комплект ручек
5	Петля промежуточная
6	Профиль воротный (PRD70)
7	Обрамление проема

ТИПОВАЯ КОНСТРУКЦИЯ КАЛИТКИ С НИЗКИМ ПОРОГОМ ВЫСОТОЙ 100 ММ



№	Наименование
1	Доводчик дверной
2	Профиль усиливающий (PRG-17)
3	Обрамление калитки
4	Комплект ручек
5	Петля промежуточная
6	Профиль усиливающий (PRG-12)
7	Обрамление проема

ТИПОВАЯ КОНСТРУКЦИЯ КАЛИТКИ СО СТАНДАРТНЫМ ПОРОГОМ ВЫСОТОЙ 145 ММ



№	Наименование
1	Доводчик дверной
2	Профиль усиливающий (PRG-17)
3	Обрамление калитки
4	Комплект ручек
5	Петля промежуточная
6	Профиль усиливающий (PRG-13)
7	Обрамление проема

1.1

1.2

1.3

1.4

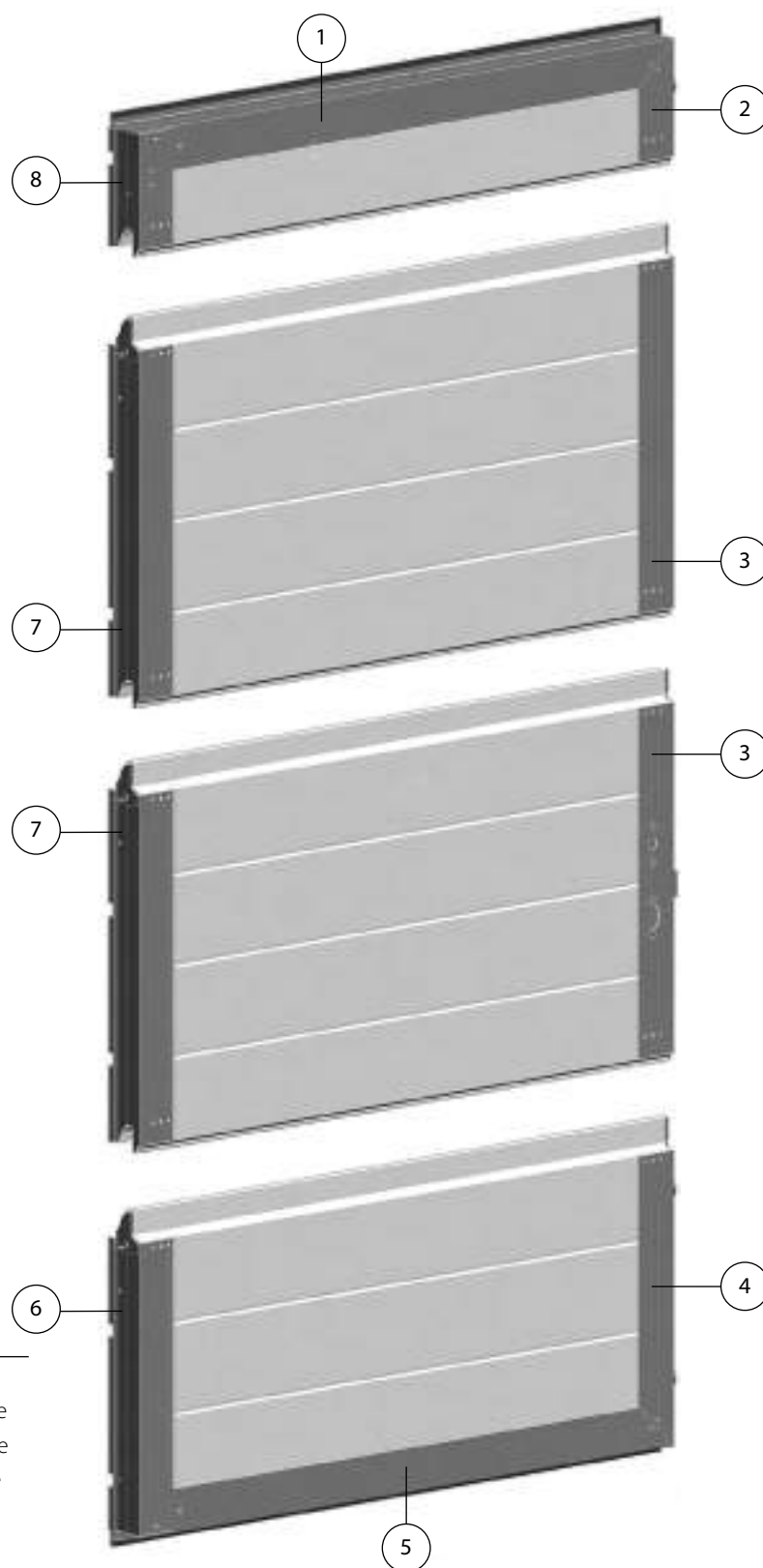
1.5

2

3

4

ОБРАМЛЕНИЕ КАЛИТКИ



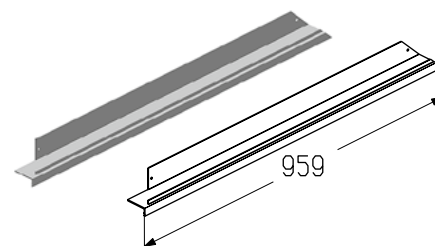
№	Наименование
1	Обрамление верха калитки
2	Обрамление калитки верхнее
3	Обрамление калитки среднее
4	Обрамление калитки нижнее
5	Обрамление низа калитки
6	Петля калитки нижняя
7	Петля калитки средняя
8	Петля калитки верхняя

ОБРАМЛЕНИЕ КАЛИТКИ

Обрамление верха калитки

Предназначено для обрамления верхней калиточной панели.
Используется в калитке с плоским, низким и стандартным порогом.

Длина, мм	959
Материал	алюминий
Вес, кг/шт.	0,751
Единица измерения	шт.
Норма поставки, шт.	10

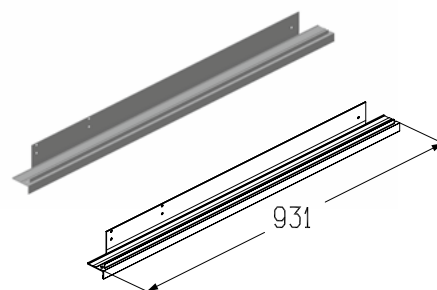


Артикул	Код	Покрытие	Цвет*	Применение
WD403R.203	404010891	Анодированное	A00-D6 (серебро)	Для ворот с правой калиткой
	404011333	Порошковое	RAL 8019	
WD403L.203	404010991	Анодированное	A00-D6 (серебро)	Для ворот с левой калиткой
	404011433	Порошковое	RAL 8019	

Обрамление верха калитки

Предназначено для обрамления верхней калиточной панели.
Используется в калитке с плоским, низким и стандартным порогом совместно с петлями арт. WH-100.

Длина, мм	931
Материал	алюминий
Вес, кг/шт.	0,686
Единица измерения	шт.
Норма поставки, шт.	10

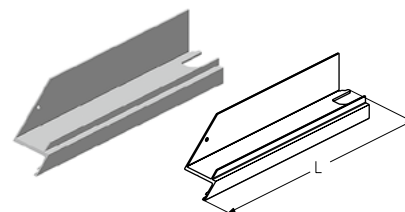


Артикул	Код	Покрытие	Цвет* Степень блеска	Применение
WDE403R.203H	407912379	Анодированное	A00-D6 (серебро)	Для ворот с правой калиткой
	407912380	Порошковое	RAL 8019 30	
WDE403L.203H	407912376	Анодированное	A00-D6 (серебро)	Для ворот с левой калиткой
	407912377	Порошковое	RAL 8019 30	

Обрамление калитки верхнее

Предназначено для обрамления верхней калиточной панели.
Используется в калитке с плоским, низким и стандартным порогом.

Материал	алюминий
Единица измерения	шт.
Норма поставки, шт.	10



Артикул	Код	Покрытие	Цвет*	Длина, мм	Вес, кг/шт.	Применение
WD403R.202	404010491	Анодированное	A00-D6 (серебро)	191	0,136	Для ворот с правой калиткой
	404011033	Порошковое	RAL 8019			
WD404R.202	404010691	Анодированное	A00-D6 (серебро)	316	0,225	
	404011133	Порошковое	RAL 8019			
WD403L.202	404010591	Анодированное	A00-D6 (серебро)	191	0,136	Для ворот с левой калиткой
	404011533	Порошковое	RAL 8019			
WD404L.202	404010791	Анодированное	A00-D6 (серебро)	316	0,225	
	404011233	Порошковое	RAL 8019			

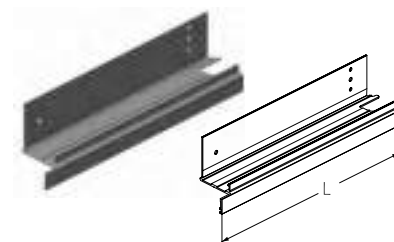
* Указанные в формате RAL **** цвета имеют близкое соответствие шкале RAL.

ОБРАМЛЕНИЕ КАЛИТКИ

Обрамление калитки верхнее

Предназначено для обрамления верхней калиточной панели.
Используется в калитке с плоским, низким и стандартным порогом совместно с петлями арт. WH-100.

Материал алюминий
 Единица измерения шт.
 Норма поставки, шт. 10

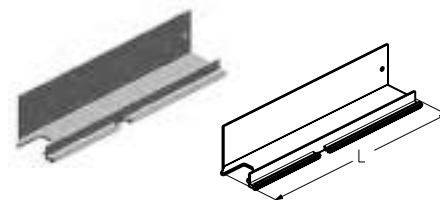


Артикул	Код	Покрытие	Цвет* Степень блеска	Длина, мм	Вес, кг/шт.	Применение
WDE403R.202	407912361	Анодированное	A00-D6 (серебро)	191	0,122	Для ворот с правой калиткой
	407912362	Порошковое	RAL 8019 30			
WDE404R.202	407912367	Анодированное	A00-D6 (серебро)	316	0,218	
	407912368	Порошковое	RAL 8019 30			
WDE403L.202	407912358	Анодированное	A00-D6 (серебро)	191	0,122	Для ворот с левой калиткой
	407912359	Порошковое	RAL 8019 30			
WDE404L.202	407912364	Анодированное	A00-D6 (серебро)	316	0,218	
	407912365	Порошковое	RAL 8019 30			

Петля калитки верхняя

Предназначена для обрамления верхней калиточной панели.
Используется в калитке с плоским, низким и стандартным порогом.

Материал алюминий
 Единица измерения шт.
 Норма поставки, шт. 10

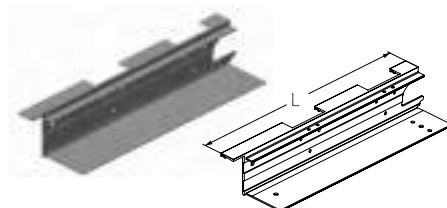


Артикул	Код	Покрытие	Цвет*	Длина, мм	Вес, кг/шт.	Применение
WD403R.201	404010091	Анодированное	A00-D6 (серебро)	169	0,129	Для ворот с правой калиткой
	404010633	Порошковое	RAL 8019			
WD404R.201	404010291	Анодированное	A00-D6 (серебро)	294	0,225	
	404010833	Порошковое	RAL 8019			
WD403L.201	404010191	Анодированное	A00-D6 (серебро)	169	0,129	Для ворот с левой калиткой
	404010733	Порошковое	RAL 8019			
WD404L.201	404010391	Анодированное	A00-D6 (серебро)	294	0,225	
	404010933	Порошковое	RAL 8019			

Петля калитки верхняя

Предназначена для обрамления верхней калиточной панели.
Используется в калитке с плоским, низким и стандартным порогом совместно с петлями арт. WH-100.

Материал алюминий
 Единица измерения шт.
 Норма поставки, шт. 10



Артикул	Код	Покрытие	Цвет* Степень блеска	Длина, мм	Вес, кг/шт.	Применение
WDE403R.201	407911818	Анодированное	A00-D6 (серебро)	191	0,116	Для ворот с правой калиткой
	407911819	Порошковое	RAL 8019 30			
WDE404R.201	407912583	Анодированное	A00-D6 (серебро)	316	0,206	
	407912584	Порошковое	RAL 8019 30			
WDE403L.201	407911815	Анодированное	A00-D6 (серебро)	191	0,116	Для ворот с левой калиткой
	407911816	Порошковое	RAL 8019 30			
WDE404L.201	407911821	Анодированное	A00-D6 (серебро)	316	0,206	
	407911822	Порошковое	RAL 8019 30			

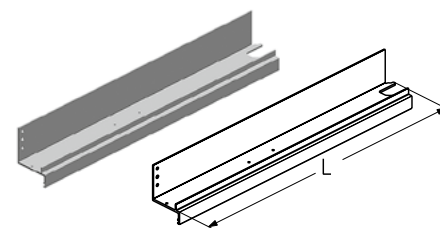
* Указанные в формате RAL **** цвета имеют близкое соответствие шкале RAL.

ОБРАМЛЕНИЕ КАЛИТКИ

Обрамление калитки среднее

Предназначено для обрамления третьей или четвертой калиточной панели.
Используется в калитке с плоским, низким и стандартным порогом.

Материал алюминий
Единица измерения шт.
Норма поставки, шт. 10

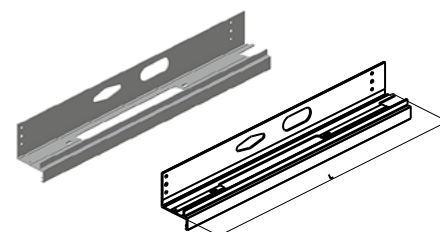


Артикул	Код	Покрытие	Цвет*	Длина, мм	Вес, кг/шт.	Применение
WD350R.202	404021291	Анодированное	A00-D6 (серебро)	490,5	0,393	Для ворот с правой калиткой
	404021833	Порошковое	RAL 8019			
WD360R.202	404021491	Анодированное	A00-D6 (серебро)	615,5	0,493	
	404022033	Порошковое	RAL 8019			
WD350L.202	404021391	Анодированное	A00-D6 (серебро)	490,5	0,393	Для ворот с левой калиткой
	404021933	Порошковое	RAL 8019			
WD360L.202	404021591	Анодированное	A00-D6 (серебро)	615,5	0,493	
	404022133	Порошковое	RAL 8019			

Обрамление калитки среднее

Предназначено для обрамления второй или третьей калиточной панели.
Используется в калитке с плоским, низким и стандартным порогом совместно с ручками WL2021-SL, WL2021-BR, WL2021-BK, WL2022-SL, WL2022-BR, WL2022-BK, PED-2040R, PED-2040L.

Материал алюминий
Единица измерения шт.
Норма поставки, шт. 10

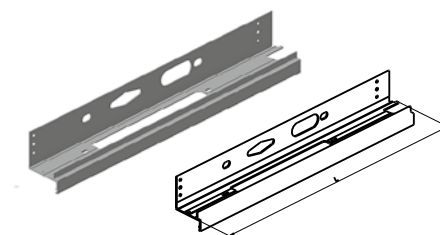


Артикул	Код	Покрытие	Цвет* Степень блеска	Длина, мм	Вес, кг/шт.	Применение
WD250R.202KFV	407910265	Анодированное	A00-D6 (серебро)	490,5	0,362	Для ворот с правой калиткой
	407910264	Порошковое	RAL 8019 30			
WD260R.202KFV	407910269	Анодированное	A00-D6 (серебро)	615,5	0,454	
	407910268	Порошковое	RAL 8019 30			
WD250L.202KFV	407910319	Анодированное	A00-D6 (серебро)	490,5	0,362	Для ворот с левой калиткой
	407910318	Порошковое	RAL 8019 30			
WD260L.202KFV	407910323	Анодированное	A00-D6 (серебро)	615,5	0,454	
	407910322	Порошковое	RAL 8019 30			

Обрамление калитки среднее

Предназначено для обрамления второй или третьей калиточной панели.
Используется в калитке с плоским, низким и стандартным порогом совместно с ручками FLGU.400.1008, FLGU.400.1009, 11042511, 11042512, 11042513.

Материал алюминий
Единица измерения шт.
Норма поставки, шт. 10



Артикул	Код	Покрытие	Цвет* Степень блеска	Длина, мм	Вес, кг/шт.	Применение
WD250R.202KFV-01	407910247	Анодированное	A00-D6 (серебро)	490,5	0,362	Для ворот с правой калиткой
	407910246	Порошковое	RAL 8019 30			
WD260R.202KFV-01	407910251	Анодированное	A00-D6 (серебро)	615,5	0,454	
	407910250	Порошковое	RAL 8019 30			
WD250L.202KFV-01	407910301	Анодированное	A00-D6 (серебро)	490,5	0,362	Для ворот с левой калиткой
	407910300	Порошковое	RAL 8019 30			
WD260L.202KFV-01	407910305	Анодированное	A00-D6 (серебро)	615,5	0,454	
	407910304	Порошковое	RAL 8019 30			

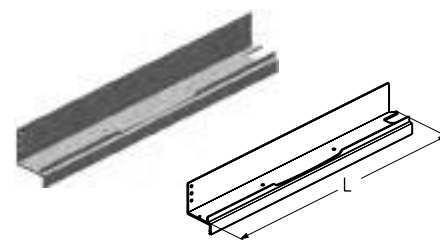
* Указанные в формате RAL **** цвета имеют близкое соответствие шкале RAL.

ОБРАМЛЕНИЕ КАЛИТКИ

Обрамление калитки среднее

Предназначено для обрамления второй или третьей калиточной панели.
Используется в калитке с плоским, низким и стандартным порогом с замком «Анти-паник» арт. PED20.

Материал алюминий
 Единица измерения шт.
 Норма поставки, шт. 10

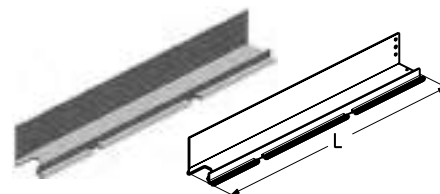


Артикул	Код	Покрытие	Цвет*	Длина, мм	Вес, кг/шт.	Применение
WD250RA.202	404020891	Анодированное	A00-D6 (серебро)	490,5	0,387	Для ворот с правой калиткой
	404021433	Порошковое	RAL 8019			
WD260RA.202	404021091	Анодированное	A00-D6 (серебро)	615,5	0,485	
	404021633	Порошковое	RAL 8019			
WD250LA.202	404020991	Анодированное	A00-D6 (серебро)	490,5	0,387	Для ворот с левой калиткой
	404021533	Порошковое	RAL 8019			
WD260LA.202	404021191	Анодированное	A00-D6 (серебро)	615,5	0,485	
	404021733	Порошковое	RAL 8019			

Петля калитки средняя

Предназначена для обрамления четвертой, третьей и второй калиточной панели.
Используется в калитке с плоским, низким и стандартным порогом.

Материал алюминий
 Единица измерения шт.
 Норма поставки, шт. 10

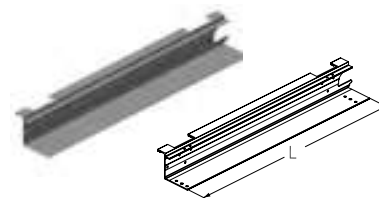


Артикул	Код	Покрытие	Цвет*	Длина, мм	Вес, кг/шт.	Применение
WD250R.201	404020091	Анодированное	A00-D6 (серебро)	490,5	0,385	Для ворот с правой калиткой
	404020633	Порошковое	RAL 8019			
WD260R.201	404020291	Анодированное	A00-D6 (серебро)	615,5	0,483	
	404020833	Порошковое	RAL 8019			
WD250L.201	404020191	Анодированное	A00-D6 (серебро)	490,5	0,385	Для ворот с левой калиткой
	404020733	Порошковое	RAL 8019			
WD260L.201	404020391	Анодированное	A00-D6 (серебро)	615,5	0,483	
	404020933	Порошковое	RAL 8019			

Петля калитки средняя

Предназначена для обрамления четвертой, третьей и второй калиточной панели.
Используется в калитке с плоским, низким и стандартным порогом совместно с петлями арт. WH-100.

Материал алюминий
 Единица измерения шт.
 Норма поставки, шт. 10



Артикул	Код	Покрытие	Цвет* Степень блеска	Длина, мм	Вес, кг/шт.	Применение
WDE250R.201	407911989	Анодированное	A00-D6 (серебро)	490,5	0,354	Для ворот с правой калиткой
	407911990	Порошковое	RAL 8019 30			
WDE260R.201	407911995	Анодированное	A00-D6 (серебро)	615,5	0,444	
	407911996	Порошковое	RAL 8019 30			
WDE250L.201	407911986	Анодированное	A00-D6 (серебро)	490,5	0,354	Для ворот с левой калиткой
	407911987	Порошковое	RAL 8019 30			
WDE260L.201	407911992	Анодированное	A00-D6 (серебро)	615,5	0,444	
	407911993	Порошковое	RAL 8019 30			

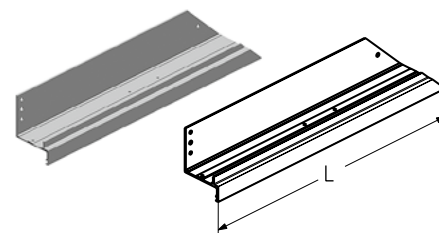
* Указанные в формате RAL **** цвета имеют близкое соответствие шкале RAL.

ОБРАМЛЕНИЕ КАЛИТКИ

Обрамление калитки нижнее

Предназначено для обрамления нижней калиточной панели.
Используется в калитке со стандартным порогом.

Материал алюминий
Единица измерения шт.
Норма поставки, шт. 10

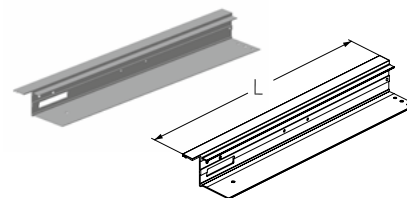


Артикул	Код	Покрытие	Цвет*	Длина, мм	Вес, кг/шт.	Применение
WD152R.202	404031091	Анодированное	A00-D6 (серебро)	377	0,291	Для ворот с правой калиткой
	404031633	Порошковое	RAL 8019			
WD162R.202	404031491	Анодированное	A00-D6 (серебро)	502	0,388	
	404032033	Порошковое	RAL 8019			
WD152L.202	404031191	Анодированное	A00-D6 (серебро)	377	0,291	Для ворот с левой калиткой
	404031733	Порошковое	RAL 8019			
WD162L.202	404031591	Анодированное	A00-D6 (серебро)	502	0,388	
	404032133	Порошковое	RAL 8019			

Обрамление калитки нижнее

Предназначено для обрамления нижней калиточной панели.
Используется в калитке со стандартным порогом совместно с петлями арт. WH-100.

Материал алюминий
Единица измерения шт.
Норма поставки, шт. 10

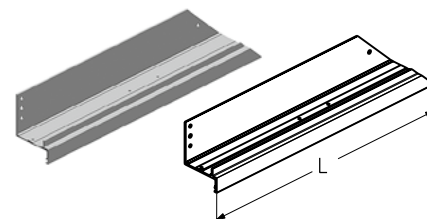


Артикул	Код	Покрытие	Цвет* Степень блеска	Длина, мм	Вес, кг/шт.	Применение
WDE152R.202	407912340	Анодированное	A00-D6 (серебро)	377	0,277	Для ворот с правой калиткой
	407912341	Порошковое	RAL 8019 30			
WDE162R.202	407912403	Анодированное	A00-D6 (серебро)	502	0,367	
	407912404	Порошковое	RAL 8019 30			
WDE152L.202	407912337	Анодированное	A00-D6 (серебро)	377	0,277	Для ворот с левой калиткой
	407912338	Порошковое	RAL 8019 30			
WDE162L.202	407912400	Анодированное	A00-D6 (серебро)	502	0,367	
	407912401	Порошковое	RAL 8019 30			

Обрамление калитки нижнее

Предназначено для обрамления нижней калиточной панели.
Используется в калитке с низким порогом.

Материал алюминий
Единица измерения шт.
Норма поставки, шт. 10



Артикул	Код	Покрытие	Цвет*	Длина, мм	Вес, кг/шт.	Применение
WD151R.202	404030891	Анодированное	A00-D6 (серебро)	422	0,326	Для ворот с правой калиткой
	404031433	Порошковое	RAL 8019			
WD161R.202	404031291	Анодированное	A00-D6 (серебро)	547	0,470	
	404031833	Порошковое	RAL 8019			
WD151L.202	404030991	Анодированное	A00-D6 (серебро)	422	0,326	Для ворот с левой калиткой
	404031533	Порошковое	RAL 8019			
WD161L.202	404031391	Анодированное	A00-D6 (серебро)	547	0,470	
	404031933	Порошковое	RAL 8019			

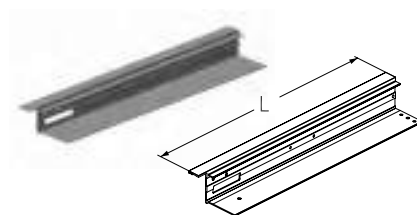
* Указанные в формате RAL **** цвета имеют близкое соответствие шкале RAL.

ОБРАМЛЕНИЕ КАЛИТКИ

Обрамление калитки нижнее

Предназначено для обрамления нижней калиточной панели.
Используется в калитке с низким порогом совместно с петлями арт. WH-100.

Материал алюминий
Единица измерения шт.
Норма поставки, шт. 10

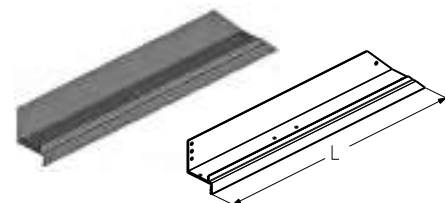


Артикул	Код	Покрытие	Цвет* Степень блеска	Длина, мм	Вес, кг/шт.	Применение
WDE151R.202	407912334	Анодированное	A00-D6 (серебро)	422	0,312	Для ворот с правой калиткой
	407912335	Порошковое	RAL 8019 30			
WDE161R.202	407912391	Анодированное	A00-D6 (серебро)	547	0,404	
	407912392	Порошковое	RAL 8019 30			
WDE151L.202	407912331	Анодированное	A00-D6 (серебро)	422	0,312	Для ворот с левой калиткой
	407912332	Порошковое	RAL 8019 30			
WDE161L.202	407912388	Анодированное	A00-D6 (серебро)	547	0,404	
	407912389	Порошковое	RAL 8019 30			

Обрамление калитки нижнее

Предназначено для обрамления нижней калиточной панели.
Используется в калитке с плоским порогом.

Материал алюминий
Единица измерения шт.
Норма поставки, шт. 10

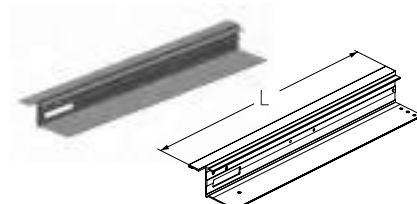


Артикул	Код	Покрытие	Цвет*	Длина, мм	Вес, кг/шт.	Применение
WD-153R.202	404232891	Анодированное	A00-D6 (серебро)	488,5	0,379	Для ворот с правой калиткой
	404232833	Порошковое	RAL 8019			
WD-163R.202	404232991	Анодированное	A00-D6 (серебро)	613,5	0,483	
	404232933	Порошковое	RAL 8019			
WD-153L.202	404032191	Анодированное	A00-D6 (серебро)	488,5	0,379	Для ворот с левой калиткой
	404032733	Порошковое	RAL 8019			
WD-163L.202	404031991	Анодированное	A00-D6 (серебро)	613,5	0,483	
	404032533	Порошковое	RAL 8019			

Обрамление калитки нижнее

Предназначено для обрамления нижней калиточной панели.
Используется в калитке с плоским порогом совместно с петлями арт. WH-100.

Материал алюминий
Единица измерения шт.
Норма поставки, шт. 10



Артикул	Код	Покрытие	Цвет* Степень блеска	Длина, мм	Вес, кг/шт.	Применение
WDE153R.202	407912346	Анодированное	A00-D6 (серебро)	489	0,364	Для ворот с правой калиткой
	407912347	Порошковое	RAL 8019 30			
WDE163R.202	407912457	Анодированное	A00-D6 (серебро)	614	0,457	
	407912458	Порошковое	RAL 8019 30			
WDE153L.202	407912343	Анодированное	A00-D6 (серебро)	489	0,364	Для ворот с левой калиткой
	407912344	Порошковое	RAL 8019 30			
WDE163L.202	407912454	Анодированное	A00-D6 (серебро)	614	0,457	
	407912455	Порошковое	RAL 8019 30			

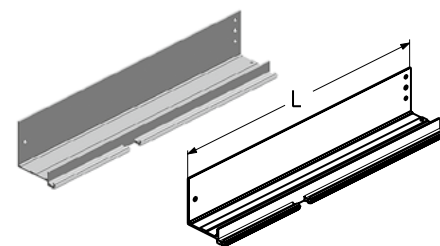
* Указанные в формате RAL **** цвета имеют близкое соответствие шкале RAL.

ОБРАМЛЕНИЕ КАЛИТКИ

Петля калитки нижняя

Предназначена для обрамления нижней калиточной панели.
Используется в калитке со стандартным порогом.

Материал алюминий
Единица измерения шт.
Норма поставки, шт. 10

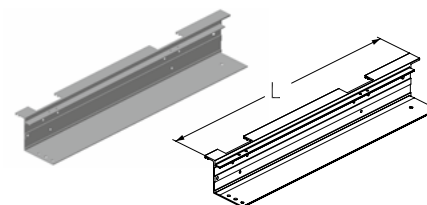


Артикул	Код	Покрытие	Цвет*	Длина, мм	Вес, кг/шт.	Применение
WD152R.201	404030291	Анодированное	A00-D6 (серебро)	355	0,287	Для ворот с правой калиткой
	404030833	Порошковое	RAL 8019			
WD162R.201	404030691	Анодированное	A00-D6 (серебро)	480	0,387	
	404031233	Порошковое	RAL 8019			
WD152L.201	404030391	Анодированное	A00-D6 (серебро)	355	0,287	Для ворот с левой калиткой
	404030933	Порошковое	RAL 8019			
WD162L.201	404030791	Анодированное	A00-D6 (серебро)	480	0,387	
	404031333	Порошковое	RAL 8019			

Петля калитки нижняя

Предназначена для обрамления нижней калиточной панели.
Используется в калитке со стандартным порогом совместно с петлями арт. WH-100.

Материал алюминий
Единица измерения шт.
Норма поставки, шт. 10

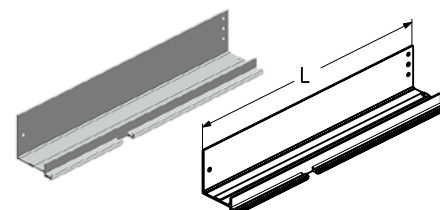


Артикул	Код	Покрытие	Цвет* Степень блеска	Длина, мм	Вес, кг/шт.	Применение
WDE152R.201	407911845	Анодированное	A00-D6 (серебро)	377	0,265	Для ворот с правой калиткой
	407911846	Порошковое	RAL 8019 30			
WDE162R.201	407911857	Анодированное	A00-D6 (серебро)	502	0,353	
	407911858	Порошковое	RAL 8019 30			
WDE152L.201	407911842	Анодированное	A00-D6 (серебро)	377	0,265	Для ворот с левой калиткой
	407911843	Порошковое	RAL 8019 30			
WDE162L.201	407911854	Анодированное	A00-D6 (серебро)	502	0,353	
	407911855	Порошковое	RAL 8019 30			

Петля калитки нижняя

Предназначена для обрамления нижней калиточной панели.
Используется в калитке с низким порогом.

Материал алюминий
Единица измерения шт.
Норма поставки, шт. 10



Артикул	Код	Покрытие	Цвет*	Длина, мм	Вес, кг/шт.	Применение
WD151R.201	404030091	Анодированное	A00-D6 (серебро)	400	0,323	Для ворот с правой калиткой
	404030633	Порошковое	RAL 8019			
WD161R.201	404030491	Анодированное	A00-D6 (серебро)	525	0,424	
	404031033	Порошковое	RAL 8019			
WD151L.201	404030191	Анодированное	A00-D6 (серебро)	400	0,323	Для ворот с левой калиткой
	404030733	Порошковое	RAL 8019			
WD161L.201	404030591	Анодированное	A00-D6 (серебро)	525	0,424	
	404031133	Порошковое	RAL 8019			

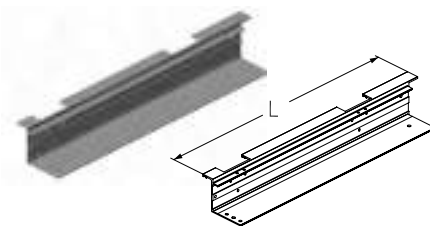
* Указанные в формате RAL **** цвета имеют близкое соответствие шкале RAL.

ОБРАМЛЕНИЕ КАЛИТКИ

Петля калитки нижняя

Предназначено для обрамления нижней калиточной панели.
Используется в калитке с низким порогом совместно с петлями арт. WH-100.

Материал алюминий
 Единица измерения шт.
 Норма поставки, шт. 10

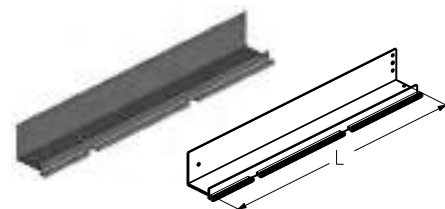


Артикул	Код	Покрытие	Цвет* Степень блеска	Длина, мм	Вес, кг/шт.	Применение
WDE151R.201	407911839	Анодированное	A00-D6 (серебро)	422	0,301	Для ворот с правой калиткой
	407911840	Порошковое	RAL 8019 30			
WDE161R.201	407911851	Анодированное	A00-D6 (серебро)	547	0,390	
	407911852	Порошковое	RAL 8019 30			
WDE151L.201	407911836	Анодированное	A00-D6 (серебро)	422	0,301	Для ворот с левой калиткой
	407911837	Порошковое	RAL 8019 30			
WDE161L.201	407911848	Анодированное	A00-D6 (серебро)	547	0,390	
	407911849	Порошковое	RAL 8019 30			

Петля калитки нижняя

Предназначена для обрамления нижней калиточной панели.
Используется в калитке с плоским порогом.

Материал алюминий
 Единица измерения шт.
 Норма поставки, шт. 10

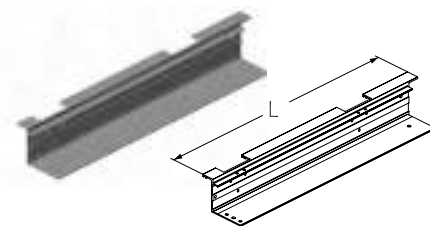


Артикул	Код	Покрытие	Цвет*	Длина, мм	Вес, кг/шт.	Применение
WD-153R.201	404232691	Анодированное	A00-D6 (серебро)	466,5	0,418	Для ворот с правой калиткой
	404232633	Порошковое	RAL 8019			
WD-163R.201	404232791	Анодированное	A00-D6 (серебро)	591,5	0,532	
	404232733	Порошковое	RAL 8019			
WD-153L.201	404233191	Анодированное	A00-D6 (серебро)	466,5	0,418	Для ворот с левой калиткой
	404233133	Порошковое	RAL 8019			
WD-163L.201	404233291	Анодированное	A00-D6 (серебро)	591,5	0,532	
	404233233	Порошковое	RAL 8019			

Петля калитки нижняя

Предназначено для обрамления нижней калиточной панели.
Используется в калитке с плоским порогом совместно с петлями арт. WH-100.

Материал алюминий
 Единица измерения шт.
 Норма поставки, шт. 10



Артикул	Код	Покрытие	Цвет* Степень блеска	Длина, мм	Вес, кг/шт.	Применение
WDE153R.201	407911866	Анодированное	A00-D6 (серебро)	489	0,351	Для ворот с правой калиткой
	407911867	Порошковое	RAL 8019 30			
WDE163R.201	407911872	Анодированное	A00-D6 (серебро)	614	0,441	
	407911873	Порошковое	RAL 8019 30			
WDE153R.201	407911866	Анодированное	A00-D6 (серебро)	489	0,351	Для ворот с левой калиткой
	407911867	Порошковое	RAL 8019 30			
WDE163R.201	407911872	Анодированное	A00-D6 (серебро)	614	0,441	
	407911873	Порошковое	RAL 8019 30			

* Указанные в формате RAL **** цвета имеют близкое соответствие шкале RAL.

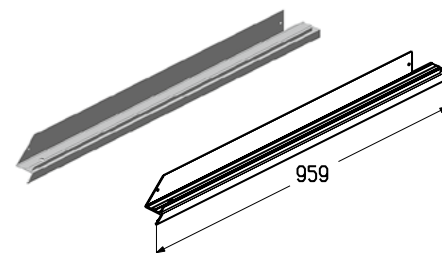
ОБРАМЛЕНИЕ КАЛИТКИ

Обрамление низа калитки

Предназначено для обрамления нижней калиточной панели.
Используется в калитке с низким и стандартным порогом.

Длина, мм	959
Вес, кг/шт.	0,692
Материал	алюминий
Единица измерения	шт.
Норма поставки, шт.	10

Артикул	Код	Покрытие	Цвет*	Применение
WD151R.203	404031691	Анодированное	A00-D6 (серебро)	Для ворот с правой калиткой
	404032233	Порошковое	RAL 8019	
WD151L.203	404031791	Анодированное	A00-D6 (серебро)	Для ворот с левой калиткой
	404032333	Порошковое	RAL 8019	

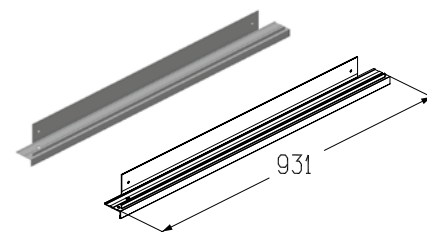


Обрамление низа калитки

Предназначено для обрамления нижней калиточной панели.
Используется в калитке с низким и стандартным порогом совместно с петлями арт. WH-100.

Длина, мм	931
Вес, кг/шт.	0,685
Материал	алюминий
Единица измерения	шт.
Норма поставки, шт.	10

Артикул	Код	Покрытие	Цвет* Степень блеска	Применение
WDE151R.203	407912328	Анодированное	A00-D6 (серебро)	Для ворот с правой калиткой
	407912329	Порошковое	RAL 8019 30	
WDE151L.203	407912592	Анодированное	A00-D6 (серебро)	Для ворот с левой калиткой
	407912593	Порошковое	RAL 8019 30	

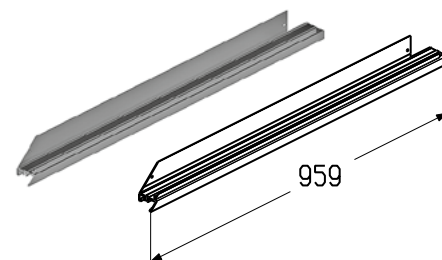


Обрамление низа калитки

Предназначено для обрамления нижней калиточной панели.
Используется в калитке с плоским порогом.

Длина, мм	959
Вес, кг/шт.	0,934
Материал	алюминий
Единица измерения	шт.
Норма поставки, шт.	10

Артикул	Код	Покрытие	Цвет*	Применение
WD-153R.203	404233091	Анодированное	A00-D6 (серебро)	Для ворот с правой калиткой
	404233033	Порошковое	RAL 8019	
WD-153L.203	404032091	Анодированное	A00-D6 (серебро)	Для ворот с левой калиткой
	404032633	Порошковое	RAL 8019	



* Указанные в формате RAL **** цвета имеют близкое соответствие шкале RAL.

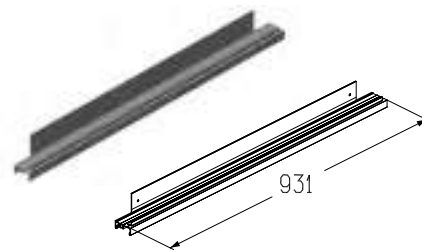
ОБРАМЛЕНИЕ КАЛИТКИ

Обрамление низа калитки

Предназначено для обрамления нижней калиточной панели.

Используется в калитке с плоским порогом совместно с петлями арт. WH-100.

Длина, мм	931
Вес, кг/шт.	0,907
Материал	алюминий
Единица измерения	шт.
Норма поставки, шт.	10



Артикул	Код	Покрытие	Цвет Степень блеска	Применение
WDE153R.203	407912349	Анодированное	A00-D6 (серебро)	Для ворот с правой или левой калиткой
	407912350	Порошковое	RAL 8019 30	

* Указанные в формате RAL **** цвета имеют близкое соответствие шкале RAL.

УСТАНОВКА ПЕТЕЛЬ КАЛИТОЧНЫХ

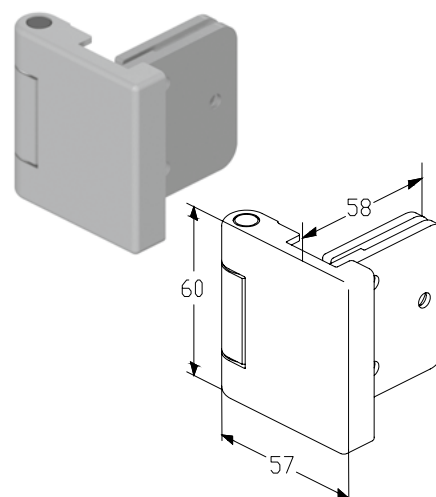


Петля калиточная

Предназначена для соединения секций калитки с проемом в полотне ворот.
Используется в калитке с плоским, низким и стандартным порогом.

Материал цинковый сплав
Вес, кг 0,33
Единица измерения шт.
Норма поставки, шт. 1

Артикул	Код	Цвет*
WH-100	404912348	Silver
	404912347	RAL 7016 30
	404912346	RAL 8019 30



* Указанные в формате RAL **** цвета имеют близкое соответствие шкале RAL.

УСТАНОВКА ПЕТЕЛЬ КАЛИТОЧНЫХ

УСТАНОВКА ВСТАВКИ-ЩЕТКИ

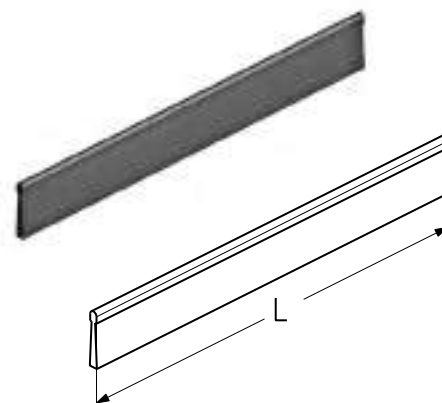


Вставка-щетка

Предназначена для герметизации нижней части проема калитки.
Используется в калитке с плоским порогом.

Вес, кг/м 0,023
Единица измерения м
Норма поставки, м 300

Артикул	Код
BS11	404407000



УСТАНОВКА ПЕТЕЛЬ КАЛИТОЧНЫХ

УСТАНОВКА ЗАГЛУШКИ

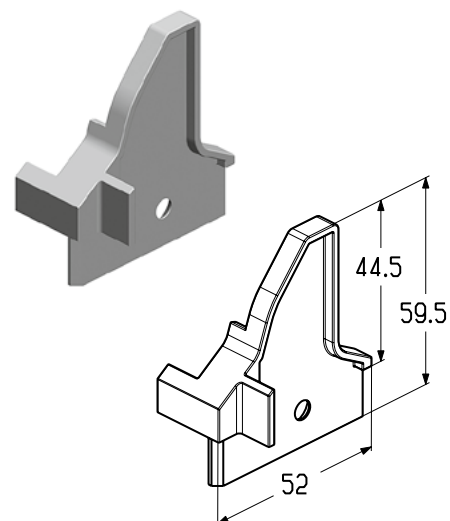


Заглушка

Устанавливается совместно с обрамлением калитки в нижней и промежуточных панелях. Используется в калитке с плоским, низким и стандартным порогом.

Материал	PA
Вес, кг/шт.	0,015
Единица измерения	шт.
Норма поставки, шт.	90

Артикул	Код	Цвет	Применение
WD22R-GR	401711300	Серый	Для ворот с правой калиткой
WD22R-BR	401711400	Коричневый	
WD22L-GR	401711500	Серый	Для ворот с левой калиткой
WD22L-BR	401711600	Коричневый	

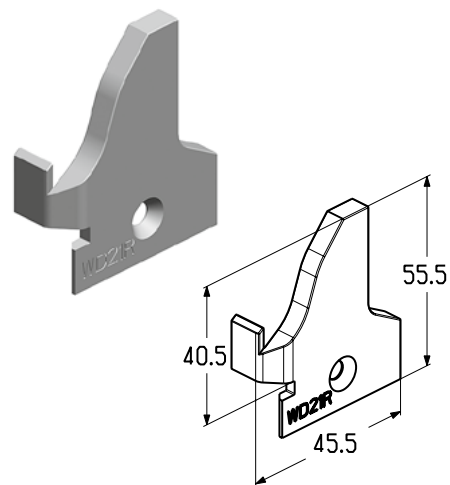


Заглушка

Устанавливается совместно с петлей калитки в нижней и промежуточных панелях. Используется в калитке с плоским, низким и стандартным порогом.

Материал	PA
Вес, кг/шт.	0,006
Единица измерения	шт.
Норма поставки, шт.	90

Артикул	Код	Цвет	Применение
WD21R-GR	401710900	Серый	Для ворот с правой калиткой
WD21R-BR	401711000	Коричневый	
WD21L-GR	401711100	Серый	Для ворот с левой калиткой
WD21L-BR	401711200	Коричневый	



УСТАНОВКА ПЕТЕЛЬ КАЛИТОЧНЫХ

УСТАНОВКА ЛОВИТЕЛЯ

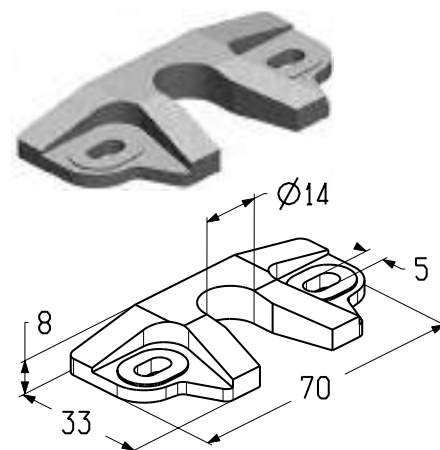


Ловитель

Устанавливается на обрамление калитки в первой и третьей (или четвертой) панелях. Используется в калитке с плоским, низким и стандартным порогом.

Материал	PA
Вес, кг/шт.	0,006
Единица измерения	шт.
Норма поставки, шт.	80

Артикул	Код
WD2011	401730100

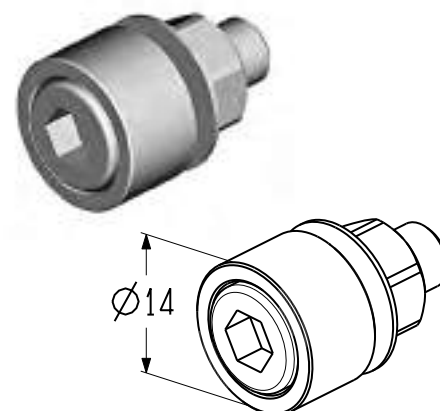


Комплект опоры ловителя

Применяется совместно с ловителем (WD2011). Устанавливается на обрамление проема в первой и третьей (или четвертой) панелях. Используется в калитке с плоским, низким и стандартным порогом.

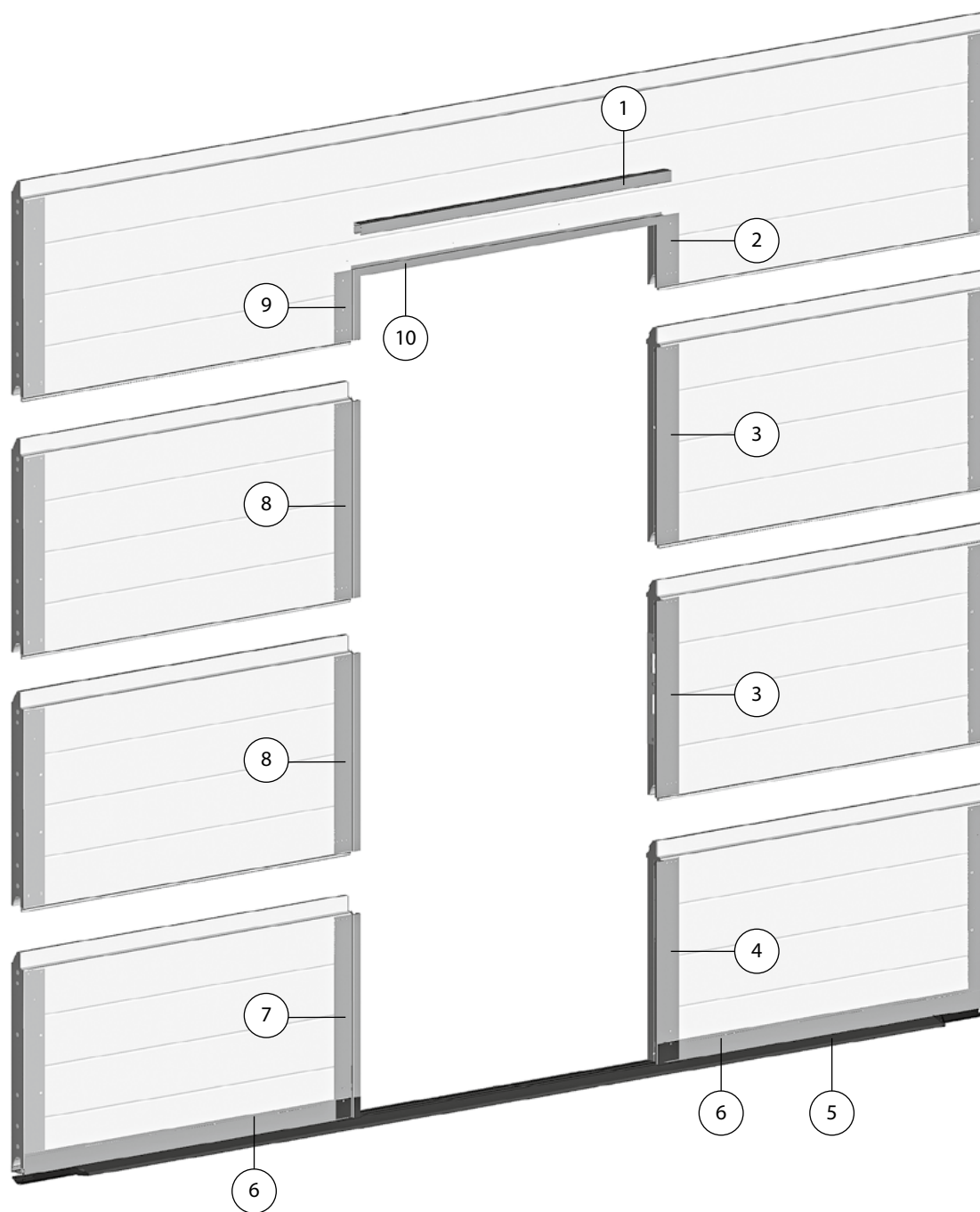
Материал	нержавеющая сталь
Вес, кг/шт.	0,010
Единица измерения	шт.
Норма поставки, шт.	1000

Артикул	Код
WD2031	401730200



УСТАНОВКА ПРОФИЛЕЙ ОБРАМЛЕНИЯ ПРОЕМА

КАЛИТКА С ПЛОСКИМ ПОРОГОМ 20 ММ



№	Наименование	№	Наименование
1	Шина доводчика	6	Профиль воротный (PRD71)
2	Обрамление проема верхнее	7	Петля проема нижняя
3	Обрамление проема среднее	8	Петля проема средняя
4	Обрамление проема нижнее	9	Петля проема верхняя
5	Профиль воротный (PRD70)	10	Обрамление верха проема

1.1

1.2

1.3

1.4

1.5

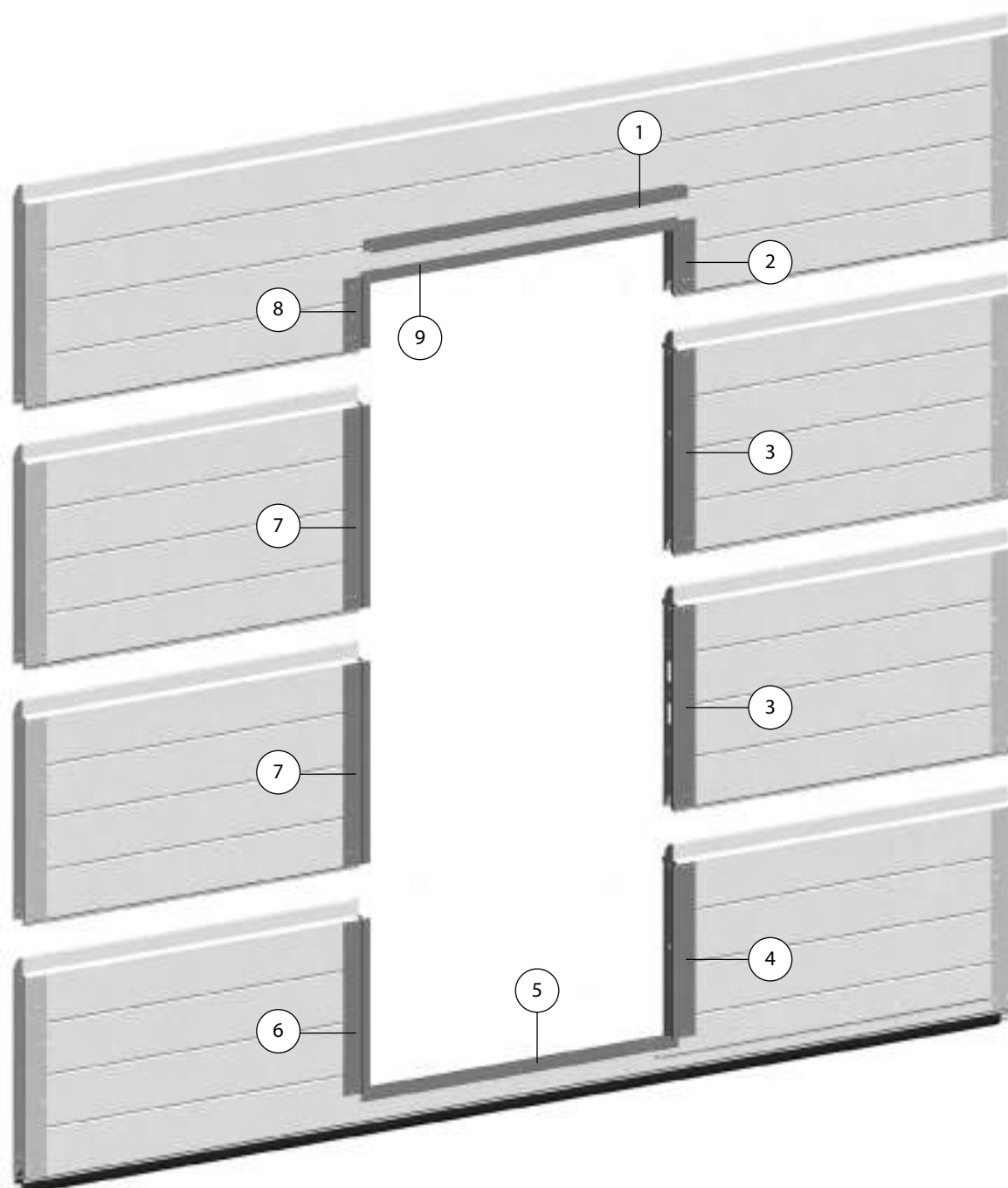
2

3

4

УСТАНОВКА ПРОФИЛЕЙ ОБРАМЛЕНИЯ ПРОЕМА

КАЛИТКА С НИЗКИМ (ВЫСОТОЙ 100 ММ) И СТАНДАРТНЫМ (ВЫСОТОЙ 145 ММ) ПОРОГОМ



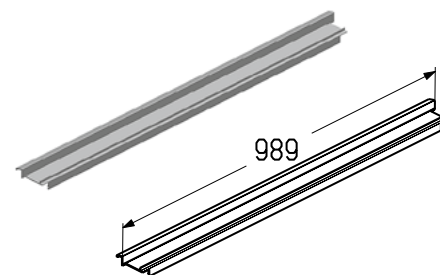
№	Наименование	№	Наименование
1	Шина доводчика	6	Петля проема нижняя
2	Обрамление проема верхнее	7	Петля проема средняя
3	Обрамление проема среднее	8	Петля проема верхняя
4	Обрамление проема нижнее	9	Обрамление верха проема
5	Обрамление низа проема		

ОБРАМЛЕНИЕ ПРОЕМА

Обрамление верха проема

Предназначено для обрамления проема верхней панели.
Используется в калитке с плоским, низким и стандартным порогом.

Длина, мм	989
Материал	алюминий
Вес, кг/шт.	0,654
Единица измерения	шт.
Норма поставки, шт.	10

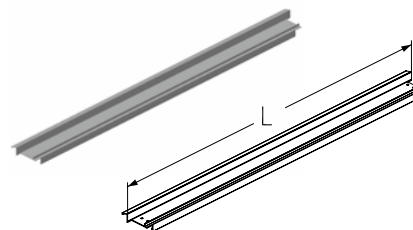


Артикул	Код	Покрытие	Цвет*	Применение
WD403R.103	404110491	Анодированное	A00-D6 (серебро)	Для ворот с правой калиткой
	404110933	Порошковое	RAL 8019	
WD403L.103	404110591	Анодированное	A00-D6 (серебро)	Для ворот с левой калиткой
	404111033	Порошковое	RAL 8019	

Обрамление проема верхнее

Предназначено для обрамления проема верхней панели.
Используется в калитке с плоским, низким и стандартным порогом совместно с петлями арт. WH-100.

Длина	993
Материал	алюминий
Вес	0,640
Единица измерения	шт.
Норма поставки, шт.	10

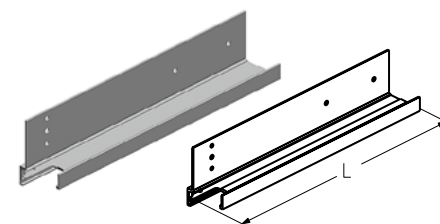


Артикул	Код	Покрытие	Цвет* Степень блеска	Применение
WDE403R.103	407912595	Анодированное	A00-D6 (серебро)	Для ворот с правой калиткой
	407912596	Порошковое	RAL 8019 30	
WDE403L.103	407912598	Анодированное	A00-D6 (серебро)	Для ворот с левой калиткой
	407912599	Порошковое	RAL 8019 30	

Обрамление проема верхнее

Предназначено для обрамления проема верхней панели.
Используется в калитке с плоским, низким и стандартным порогом.

Материал	алюминий
Единица измерения	шт.
Норма поставки, шт.	10



Артикул	Код	Покрытие	Цвет*	Длина, мм	Вес, кг/шт.	Применение
WD403R.302	404110691	Анодированное	A00-D6 (серебро)	183	0,143	Для ворот с правой калиткой
	404111133	Порошковое	RAL 8019			
WD404R.302	404110891	Анодированное	A00-D6 (серебро)	308	0,241	
	404111333	Порошковое	RAL 8019			
WD403L.302	404110791	Анодированное	A00-D6 (серебро)	183	0,143	Для ворот с левой калиткой
	404111233	Порошковое	RAL 8019			
WD404L.302	404110991	Анодированное	A00-D6 (серебро)	308	0,241	
	404111433	Порошковое	RAL 8019			

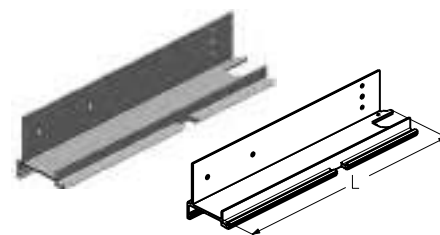
* Указанные в формате RAL **** цвета имеют близкое соответствие шкале RAL.

ОБРАМЛЕНИЕ ПРОЕМА

Петля проема верхняя

Предназначена для обрамления проема верхней панели.
Используется в калитке с плоским, низким и стандартным порогом.

Материал алюминий
 Единица измерения шт.
 Норма поставки, шт. 10

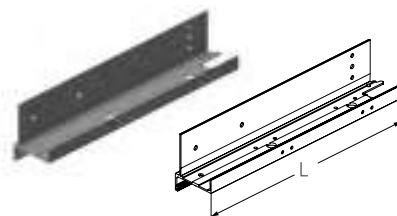


Артикул	Код	Покрытие	Цвет*	Длина, мм	Вес, кг/шт.	Применение
WD403R.101	404110091	Анодированное	A00-D6 (серебро)	183	0,167	Для ворот с правой калиткой
	404110533	Порошковое	RAL 8019			
WD404R.101	404110291	Анодированное	A00-D6 (серебро)	308	0,282	
	404110733	Порошковое	RAL 8019			
WD403L.101	404110191	Анодированное	A00-D6 (серебро)	183	0,167	Для ворот с левой калиткой
	404110633	Порошковое	RAL 8019			
WD404L.101	404110391	Анодированное	A00-D6 (серебро)	308	0,282	
	404110833	Порошковое	RAL 8019			

Петля проема верхняя

Предназначена для обрамления проема верхней панели.
Используется в калитке с плоским, низким и стандартным порогом совместно с петлями арт. WH-100.

Материал алюминий
 Единица измерения шт.
 Норма поставки, шт. 10

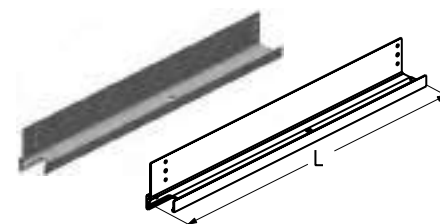


Артикул	Код	Покрытие	Цвет* Степень блеска	Длина, мм	Вес, кг/шт.	Применение
WDE403R.101	407912055	Анодированное	A00-D6 (серебро)	181,5	0,127	Для ворот с правой калиткой
	407912056	Порошковое	RAL 8019 30			
WDE404R.101	407912580	Анодированное	A00-D6 (серебро)	306,5	0,222	
	407912581	Порошковое	RAL 8019 30			
WDE403L.101	407912052	Анодированное	A00-D6 (серебро)	181,5	0,127	Для ворот с левой калиткой
	407912053	Порошковое	RAL 8019 30			
WDE404L.101	407912058	Анодированное	A00-D6 (серебро)	306,5	0,222	
	407912059	Порошковое	RAL 8019 30			

Обрамление проема среднее

Предназначено для обрамления проема третьей или четвертой панели.
Используется в калитке с плоским, низким и стандартным порогом.

Материал алюминий
 Единица измерения шт.
 Норма поставки, шт. 10



Артикул	Код	Покрытие	Цвет*	Длина, мм	Вес, кг/шт.	Применение
WD350R.302	404121291	Анодированное	A00-D6 (серебро)	490,5	0,391	Для ворот с правой калиткой
	404121833	Порошковое	RAL 8019			
WD360R.302	404121491	Анодированное	A00-D6 (серебро)	615,5	0,490	
	404122033	Порошковое	RAL 8019			
WD350L.302	404121391	Анодированное	A00-D6 (серебро)	490,5	0,391	Для ворот с левой калиткой
	404121933	Порошковое	RAL 8019			
WD360L.302	404121591	Анодированное	A00-D6 (серебро)	615,5	0,490	
	404122133	Порошковое	RAL 8019			

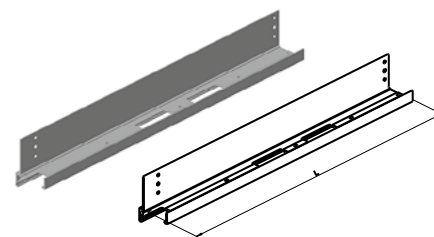
* Указанные в формате RAL **** цвета имеют близкое соответствие шкале RAL.

ОБРАМЛЕНИЕ ПРОЕМА

Обрамление проема среднее

Предназначено для обрамления проема второй или третьей панели.
Используется в калитке с плоским, низким и стандартным порогом.

Материал алюминий
Единица измерения шт.
Норма поставки, шт. 10

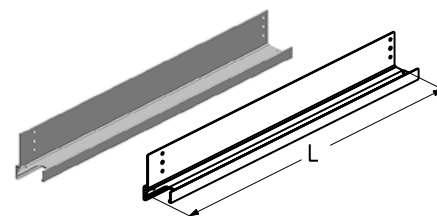


Артикул	Код	Покрытие	Цвет* Степень блеска	Длина, мм	Вес, кг/шт.	Применение
WD250R.302KFV	407910229	Анодированное	A00-D6 (серебро)	490,5	0,377	Для ворот с правой калиткой
	407910228	Порошковое	RAL 8019 30			
WD260R.302KFV	407910233	Анодированное	A00-D6 (серебро)	615,5	0,473	
	407910232	Порошковое	RAL 8019 30			
WD250L.302KFV	407910283	Анодированное	A00-D6 (серебро)	490,5	0,377	Для ворот с левой калиткой
	407910282	Порошковое	RAL 8019 30			
WD260L.302KFV	407910287	Анодированное	A00-D6 (серебро)	615,5	0,473	
	407910286	Порошковое	RAL 8019 30			

Обрамление проема среднее

Предназначено для обрамления проема второй или третьей панели.
Используется в калитке с плоским, низким и стандартным порогом с замком «Анти-паник» арт. PED20.

Материал алюминий
Единица измерения шт.
Норма поставки, шт. 10

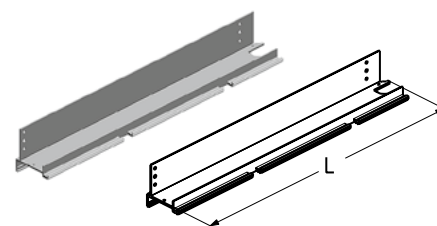


Артикул	Код	Покрытие	Цвет*	Длина, мм	Вес, кг/шт.	Применение
WD250RA.302	404120891	Анодированное	A00-D6 (серебро)	490,5	0,391	Для ворот с правой калиткой
	404120433	Порошковое	RAL 8019			
WD260RA.302	404121091	Анодированное	A00-D6 (серебро)	615,5	0,490	
	404121633	Порошковое	RAL 8019			
WD250LA.302	404120991	Анодированное	A00-D6 (серебро)	490,5	0,391	Для ворот с левой калиткой
	404121533	Порошковое	RAL 8019			
WD260LA.302	404121191	Анодированное	A00-D6 (серебро)	615,5	0,490	
	404121733	Порошковое	RAL 8019			

Петля проема средняя

Предназначена для обрамления проема четвертой, третьей и второй панелей.
Используется в калитке с плоским, низким и стандартным порогом.

Материал алюминий
Единица измерения шт.
Норма поставки, шт. 10



Артикул	Код	Покрытие	Цвет*	Длина, мм	Вес, кг/шт.	Применение
WD250R.101	404120091	Анодированное	A00-D6 (серебро)	490,5	0,458	Для ворот с правой калиткой
	404120633	Порошковое	RAL 8019			
WD260R.101	404120291	Анодированное	A00-D6 (серебро)	615,5	0,575	
	404120833	Порошковое	RAL 8019			
WD250L.101	404120191	Анодированное	A00-D6 (серебро)	490,5	0,458	Для ворот с левой калиткой
	404120733	Порошковое	RAL 8019			
WD260L.101	404120391	Анодированное	A00-D6 (серебро)	615,5	0,575	
	404120933	Порошковое	RAL 8019			

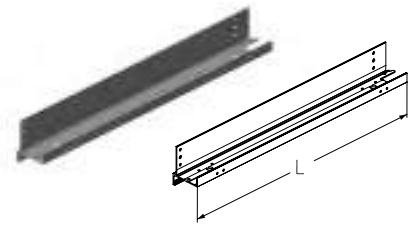
* Указанные в формате RAL **** цвета имеют близкое соответствие шкале RAL.

ОБРАМЛЕНИЕ ПРОЕМА

Петля проема средняя

Предназначена для обрамления проема четвертой, третьей и второй панелей.
Используется в калитке с плоским, низким и стандартным порогом совместно с петлями арт. WH-100.

Материал алюминий
Единица измерения шт.
Норма поставки, шт. 10

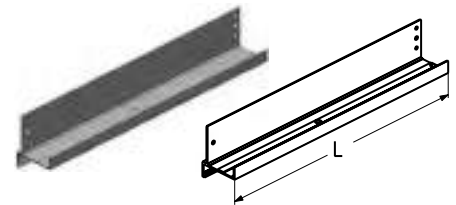


Артикул	Код	Покрытие	Цвет* Степень блеска	Длина, мм	Вес, кг/шт.	Применение
WDE250R.101	407912226	Анодированное	A00-D6 (серебро)	490,5	0,365	Для ворот с правой калиткой
	407912227	Порошковое	RAL 8019 30			
WDE260R.101	407912232	Анодированное	A00-D6 (серебро)	615,5	0,458	
	407912233	Порошковое	RAL 8019 30			
WDE250L.101	407912223	Анодированное	A00-D6 (серебро)	490,5	0,365	Для ворот с левой калиткой
	407912224	Порошковое	RAL 8019 30			
WDE260L.101	407912229	Анодированное	A00-D6 (серебро)	615,5	0,458	
	407912230	Порошковое	RAL 8019 30			

Обрамление проема ниже

Предназначено для обрамления проема нижней панели.
Используется в калитке со стандартным порогом.

Материал алюминий
Единица измерения шт.
Норма поставки, шт. 10

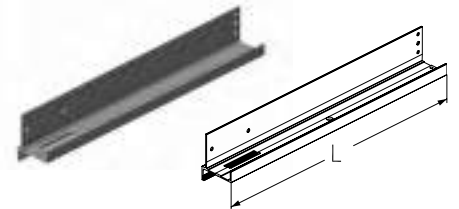


Артикул	Код	Покрытие	Цвет*	Длина, мм	Вес, кг/шт.	Применение
WD152R.302	404131291	Анодированное	A00-D6 (серебро)	369	0,305	Для ворот с правой калиткой
	404132033	Порошковое	RAL 8019			
WD162R.302	404131691	Анодированное	A00-D6 (серебро)	494	0,409	
	404132433	Порошковое	RAL 8019			
WD152L.302	404131391	Анодированное	A00-D6 (серебро)	369	0,305	Для ворот с левой калиткой
	404132133	Порошковое	RAL 8019			
WD162L.302	404131791	Анодированное	A00-D6 (серебро)	494	0,409	
	404132533	Порошковое	RAL 8019			

Обрамление проема ниже

Предназначено для обрамления проема нижней панелей.
Используется в калитке со стандартным порогом совместно с петлями арт. WH-100.

Материал алюминий
Единица измерения шт.
Норма поставки, шт. 10



Артикул	Код	Покрытие	Цвет* Степень блеска	Длина, мм	Вес, кг/шт.	Применение
WDE152R.302	407912433	Анодированное	A00-D6 (серебро)	368	0,305	Для ворот с правой калиткой
	407912434	Порошковое	RAL 8019 30			
WDE162R.302	407912439	Анодированное	A00-D6 (серебро)	493	0,409	
	407912440	Порошковое	RAL 8019 30			
WDE152L.302	407912430	Анодированное	A00-D6 (серебро)	368	0,305	Для ворот с левой калиткой
	407912431	Порошковое	RAL 8019 30			
WDE162L.302	407912436	Анодированное	A00-D6 (серебро)	493	0,409	
	407912437	Порошковое	RAL 8019 30			

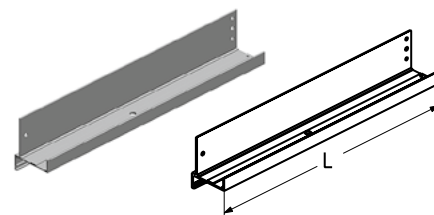
* Указанные в формате RAL **** цвета имеют близкое соответствие шкале RAL.

ОБРАМЛЕНИЕ ПРОЕМА

Обрамление проема ниже

Предназначено для обрамления проема нижней панели.
Используется в калитке с низким порогом.

Материал алюминий
Единица измерения шт.
Норма поставки, шт. 10

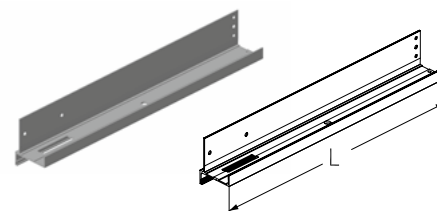


Артикул	Код	Покрытие	Цвет*	Длина, мм	Вес, кг/шт.	Применение
WD151R.302	404131091	Анодированное	A00-D6 (серебро)	414	0,343	Для ворот с правой калиткой
	404131833	Порошковое	RAL 8019			
WD161R.302	404131491	Анодированное	A00-D6 (серебро)	539	0,446	
	404132233	Порошковое	RAL 8019			
WD151L.302	404131191	Анодированное	A00-D6 (серебро)	414	0,343	Для ворот с левой калиткой
	404131933	Порошковое	RAL 8019			
WD161L.302	404131591	Анодированное	A00-D6 (серебро)	539	0,446	
	404132333	Порошковое	RAL 8019			

Обрамление проема ниже

Предназначено для обрамления проема второй или третьей панели.
Используется в калитке с плоским, низким и стандартным порогом с замком «Анти-паник» арт. PED20.

Материал алюминий
Единица измерения шт.
Норма поставки, шт. 10

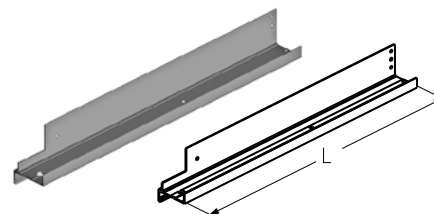


Артикул	Код	Покрытие	Цвет* Степень блеска	Длина, мм	Вес, кг/шт.	Применение
WDE151R.302	407912415	Анодированное	A00-D6 (серебро)	413	0,343	Для ворот с правой калиткой
	407912416	Порошковое	RAL 8019 30			
WDE161R.302	407912421	Анодированное	A00-D6 (серебро)	538	0,446	
	407912422	Порошковое	RAL 8019 30			
WDE151L.302	407912412	Анодированное	A00-D6 (серебро)	413	0,343	Для ворот с левой калиткой
	407912413	Порошковое	RAL 8019 30			
WDE161L.302	407912418	Анодированное	A00-D6 (серебро)	538	0,446	
	407912419	Порошковое	RAL 8019 30			

Обрамление проема ниже

Предназначено для обрамления проема нижней панели.
Используется в калитке с плоским порогом.

Материал алюминий
Единица измерения шт.
Норма поставки, шт. 10



Артикул	Код	Покрытие	Цвет*	Длина, мм	Вес, кг/шт.	Применение
WD-153R.302	404232491	Анодированное	A00-D6 (серебро)	493	0,394	Для ворот с правой калиткой
	404232433	Порошковое	RAL 8019			
WD-163R.302	404232591	Анодированное	A00-D6 (серебро)	618	0,497	
	404232533	Порошковое	RAL 8019			
WD-153L.302	404131891	Анодированное	A00-D6 (серебро)	493	0,394	Для ворот с левой калиткой
	404132633	Порошковое	RAL 8019			
WD-163L.302	404132091	Анодированное	A00-D6 (серебро)	618	0,497	
	404132833	Порошковое	RAL 8019			

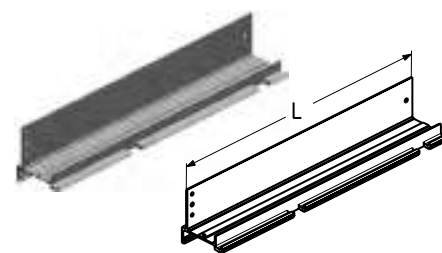
* Указанные в формате RAL **** цвета имеют близкое соответствие шкале RAL.

ОБРАМЛЕНИЕ ПРОЕМА

Петля проема нижняя

Предназначена для обрамления проема нижней панели.
Используется в калитке со стандартным порогом.

Материал алюминий
 Единица измерения шт.
 Норма поставки, шт. 10

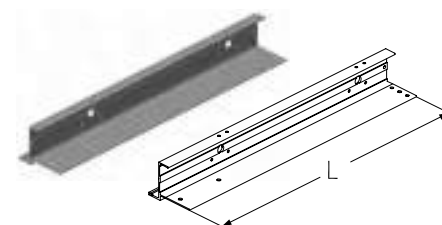


Артикул	Код	Покрытие	Цвет*	Длина, мм	Вес, кг/шт.	Применение
WD152R.101	404130291	Анодированное	A00-D6 (серебро)	369	0,355	Для ворот с правой калиткой
		Порошковое	RAL 8019			
WD162R.101	404131433	Анодированное	A00-D6 (серебро)	494	0,475	
		Порошковое	RAL 8019			
WD152L.101	404130391	Анодированное	A00-D6 (серебро)	369	0,355	Для ворот с левой калиткой
		Порошковое	RAL 8019			
WD162L.101	404131533	Анодированное	A00-D6 (серебро)	494	0,475	
		Порошковое	RAL 8019			

Петля проема нижняя

Предназначено для обрамления проема нижней панелей.
Используется в калитке со стандартным порогом совместно с петлями арт. WH-100.

Материал алюминий
 Единица измерения шт.
 Норма поставки, шт. 10

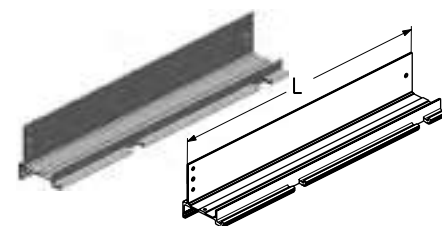


Артикул	Код	Покрытие	Цвет* Степень блеска	Длина, мм	Вес, кг/шт.	Применение
WDE152R.101	407912082	Анодированное	A00-D6 (серебро)	368	0,284	Для ворот с правой калиткой
	407912083	Порошковое	RAL 8019 30			
WDE162R.101	407912094	Анодированное	A00-D6 (серебро)	493	0,377	
	407912095	Порошковое	RAL 8019 30			
WDE152L.101	407912079	Анодированное	A00-D6 (серебро)	368	0,284	Для ворот с левой калиткой
	407912080	Порошковое	RAL 8019 30			
WDE162L.101	407912091	Анодированное	A00-D6 (серебро)	493	0,377	
	407912092	Порошковое	RAL 8019 30			

Петля проема нижняя

Предназначена для обрамления проема нижней панели.
Используется в калитке с низким порогом.

Материал алюминий
 Единица измерения шт.
 Норма поставки, шт. 10



Артикул	Код	Покрытие	Цвет*	Длина, мм	Вес, кг/шт.	Применение
WD151R.101	404130091	Анодированное	A00-D6 (серебро)	414	0,398	Для ворот с правой калиткой
	404130833	Порошковое	RAL 8019			
WD161R.101	404130491	Анодированное	A00-D6 (серебро)	539	0,518	
	404131233	Порошковое	RAL 8019			
WD151L.101	404130191	Анодированное	A00-D6 (серебро)	414	0,398	Для ворот с левой калиткой
	404130933	Порошковое	RAL 8019			
WD161L.101	404130591	Анодированное	A00-D6 (серебро)	539	0,518	
	404131333	Порошковое	RAL 8019			

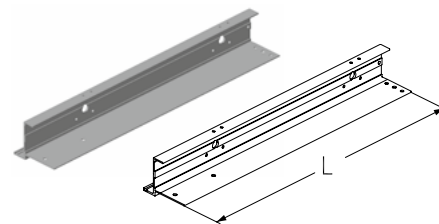
* Указанные в формате RAL **** цвета имеют близкое соответствие шкале RAL.

ОБРАМЛЕНИЕ ПРОЕМА

Петля проема нижняя

Предназначена для обрамления проема нижней панели.
Используется в калитке с низким порогом совместно с петлями арт. WH-100.

Материал алюминий
Единица измерения шт.
Норма поставки, шт. 10

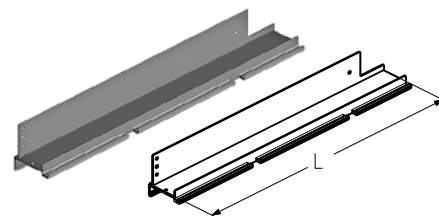


Артикул	Код	Покрытие	Цвет* Степень блеска	Длина, мм	Вес, кг/шт.	Применение
WDE151R.101	407912076	Анодированное	A00-D6 (серебро)	413	0,318	Для ворот с правой калиткой
	407912077	Порошковое	RAL 8019 30			
WDE161R.101	407912088	Анодированное	A00-D6 (серебро)	538	0,413	
	407912089	Порошковое	RAL 8019 30			
WDE151L.101	407912073	Анодированное	A00-D6 (серебро)	413	0,318	Для ворот с левой калиткой
	407912074	Порошковое	RAL 8019 30			
WDE161L.101	407912085	Анодированное	A00-D6 (серебро)	538	0,413	
	407912086	Порошковое	RAL 8019 30			

Петля проема нижняя

Предназначена для обрамления проема нижней панели.
Используется в калитке с плоским порогом.

Материал алюминий
Единица измерения шт.
Норма поставки, шт. 10

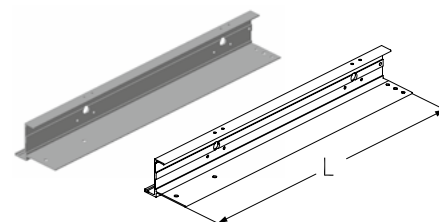


Артикул	Код	Покрытие	Цвет*	Длина, мм	Вес, кг/шт.	Применение
WD-153R.101	404232291	Анодированное	A00-D6 (серебро)	493	0,520	Для ворот с правой калиткой
	404232233	Порошковое	RAL 8019			
WD-153L.101	404233391	Анодированное	A00-D6 (серебро)	493	0,520	
	404233333	Порошковое	RAL 8019			
WD-163R.101	404232391	Анодированное	A00-D6 (серебро)	618	0,653	Для ворот с левой калиткой
	404232333	Порошковое	RAL 8019			
WD-163L.101	404233491	Анодированное	A00-D6 (серебро)	618	0,653	
	404233433	Порошковое	RAL 8019			

Петля проема нижняя

Предназначено для обрамления проема нижней панелей.
Используется в калитке с плоским порогом совместно с петлями арт. WH-100.

Материал алюминий
Единица измерения шт.
Норма поставки, шт. 10



Артикул	Код	Покрытие	Цвет* Степень блеска	Длина, мм	Вес, кг/шт.	Применение
WDE153R.101	407912103	Анодированное	A00-D6 (серебро)	434	0,369	Для ворот с правой калиткой
	407912104	Порошковое	RAL 8019 30			
WDE163R.101	407912109	Анодированное	A00-D6 (серебро)	619	0,462	
	407912110	Порошковое	RAL 8019 30			
WDE153L.101	407912106	Анодированное	A00-D6 (серебро)	434	0,369	Для ворот с левой калиткой
	407912107	Порошковое	RAL 8019 30			
WDE163L.101	407912112	Анодированное	A00-D6 (серебро)	619	0,462	
	407912113	Порошковое	RAL 8019 30			

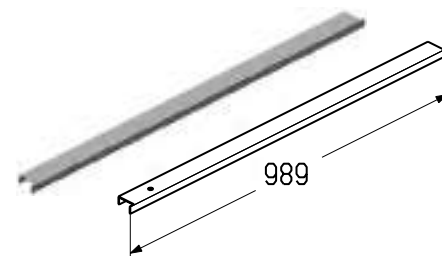
* Указанные в формате RAL **** цвета имеют близкое соответствие шкале RAL.

ОБРАМЛЕНИЕ ПРОЕМА

Порог

Предназначен для установки совместно с профилями усиливающими (PRG-12, PRG-13).
Используется в калитке с низким и стандартным порогом.

Длина, мм	989
Материал	алюминий
Вес, кг/шт.	0,442
Единица измерения	шт.
Норма поставки, шт.	10

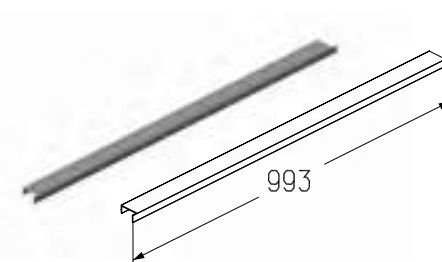


Артикул	Код	Покрытие	Цвет*	Применение
WD151R.103	404130891	Анодированное	A00-D6 (серебро)	Для ворот с правой калиткой
	404131633	Порошковое	RAL 8019	
WD151L.103	404130991	Анодированное	A00-D6 (серебро)	Для ворот с левой калиткой
	404131733	Порошковое	RAL 8019	

Порог

Предназначен для установки совместно с профилями усиливающими (PRG-12, PRG-13).
Используется в калитке с низким и стандартным порогом совместно с петлями арт. WH-100.

Длина	993
Материал	алюминий
Вес, кг/шт.	0,435
Единица измерения	шт.
Норма поставки, шт.	10

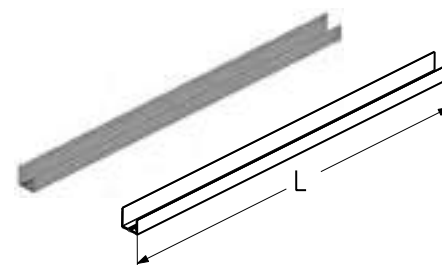


Артикул	Код	Покрытие	Цвет* Степень блеска	Применение
WDE151R.103	407912370	Анодированное	A00-D6 (серебро)	Для ворот с правой калиткой
	407912371	Порошковое	RAL 8019 30	
WDE151L.103	407912589	Анодированное	A00-D6 (серебро)	Для ворот с левой калиткой
	407912590	Порошковое	RAL 8019 30	

Профиль воротный

Предназначен для обрамления нижней панели.
Используется в калитке с плоским порогом.

Длина, мм	6000
Вес, кг/шт.	0,740
Материал	алюминий
Единица измерения	м



Артикул	Код	Покрытие	Цвет*	Норма поставки, м	Норма поставки, шт.
PRD71	401490291	Анодированное	A00-D6 (серебро)	24	4
	401492433	Порошковое	RAL 8019		

* Указанные в формате RAL **** цвета имеют близкое соответствие шкале RAL.

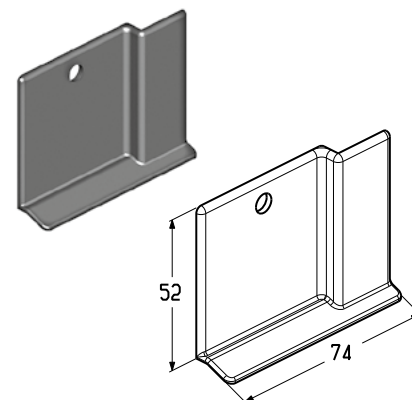
ОБРАМЛЕНИЕ ПРОЕМА

Заглушка калиточная

Устанавливается совместно с нижним профилем (PRD71).
Используется в калитке с плоским порогом.

Материал	ABS
Вес, кг/шт.	0,009
Единица измерения	шт.
Норма поставки, шт.	500

Артикул	Код	Цвет	Применение
WD2034R-GR	401713300	Серый	Правая
WD2034R-BR	401713500	Коричневый	
WD2034R-BK	401713700	Черный	
WD2034L-GR	401713200	Серый	Левая
WD2034L-BR	401713400	Коричневый	
WD2034L-BK	401713600	Черный	

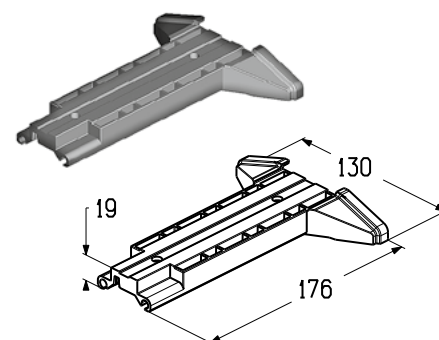


Вставка концевая

Устанавливается совместно с нижним профилем (PRD70).
Используется в калитке с плоским порогом.

Материал	PA
Вес, кг/шт.	0,064
Единица измерения	шт.
Норма поставки, шт.	60

Артикул	Код	Цвет
WD2033	401713800	Черный

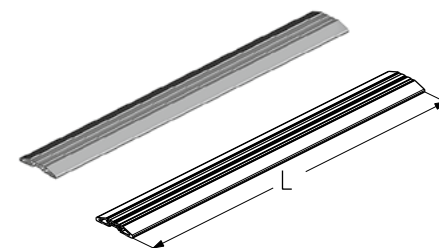


Профиль воротный

Предназначен для установки в нижнюю панель. Выполняет функцию порога калитки.
Используется в калитке с плоским порогом.

Материал	алюминий
Длина (L), мм	6000
Вес, кг/м	2,710
Единица измерения	м

Артикул	Код	Покрытие	Цвет	Норма поставки, м	Норма поставки, шт.
PRD70	401490130	Порошковое	близкий RAL 9005	12	2

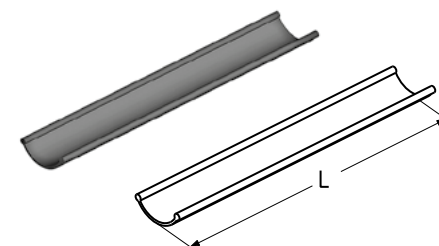


Вставка уплотнительная

Предназначена для герметизации нижней части проема. Устанавливается в профиль воротный (PRD70). Используется в калитке с плоским порогом.

Материал	EPDM
Вес, кг/м	0,110
Единица измерения	м
Норма поставки, м	125

Артикул	Код
RSB09	401510700



* Указанные в формате RAL **** цвета имеют близкое соответствие шкале RAL.

ОБРАМЛЕНИЕ ПРОЕМА

УСТАНОВКА ВСТАВКИ УПЛОТНИТЕЛЬНОЙ

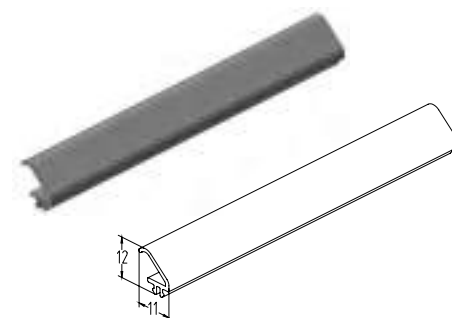


Вставка уплотнительная калиточная

Предназначена для герметизации проема калитки. Устанавливается в обрамление проема и обрамление калитки.

Используется в калитке с плоским, низким и стандартным порогом.

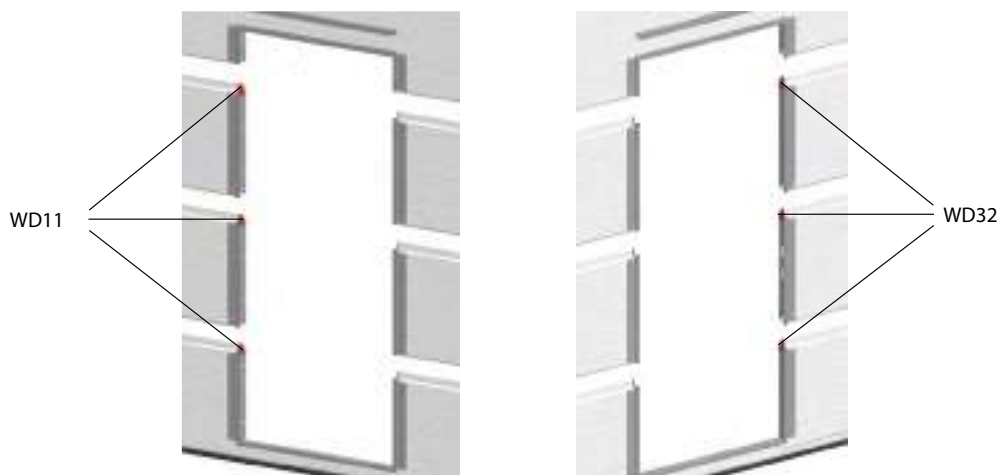
Материал	ПВХ
Вес, кг/м	0,036
Единица измерения	м
Норма поставки, м	475



Артикул	Код
RSW15	401560100

ОБРАМЛЕНИЕ ПРОЕМА

УСТАНОВКА ЗАГЛУШКИ

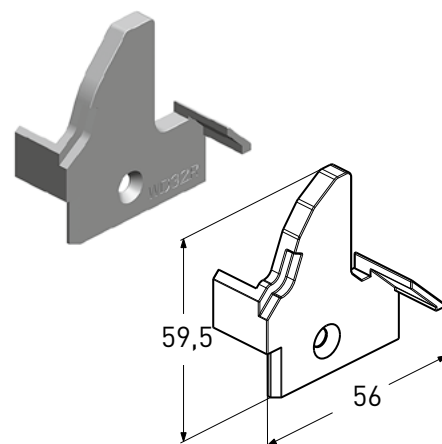


Заглушка

Устанавливается совместно с обрамлением проема в нижней и промежуточных панелях. Используется в калитке с плоским, низким и стандартным порогом.

Материал	PA
Вес, кг/шт.	0,009
Единица измерения	шт.
Норма поставки, шт.	90

Артикул	Код	Цвет	Применение
WD32R-GR	401711700	Серый	Для ворот с правой калиткой
WD32R-BR	401711800	Коричневый	
WD32L-GR	401711900	Серый	Для ворот с левой калиткой
WD32L-BR	401712000	Коричневый	

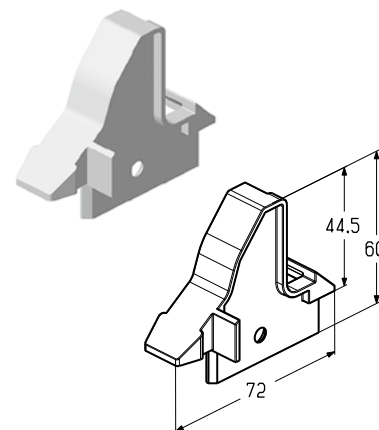


Заглушка

Устанавливается совместно с петлей проема в нижней и промежуточных панелях. Используется в калитке с плоским, низким и стандартным порогом.

Материал	PA
Вес, кг/шт.	0,015
Единица измерения	шт.
Норма поставки, шт.	90

Артикул	Код	Цвет	Применение
WD11R-GR	401710500	Серый	Для ворот с правой калиткой
WD11R-BR	401710600	Коричневый	
WD11L-GR	401710700	Серый	Для ворот с левой калиткой
WD11L-BR	401710800	Коричневый	



ОБРАМЛЕНИЕ ПРОЕМА

УСТАНОВКА ЗАГЛУШКИ

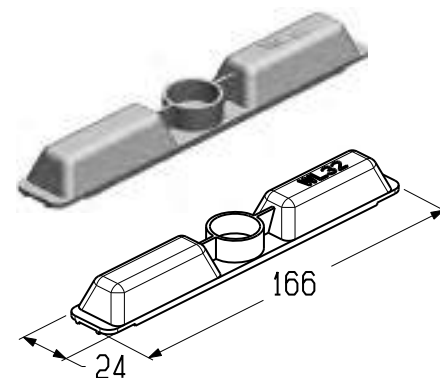


WL32

Заглушка

Предназначена для установки совместно с обрамлением проема третьей или второй панелей.
Используется в калитке с плоским, низким и стандартным порогом.

Материал PA
 Цвет черный
 Вес, кг/шт. 0,017
 Единица измерения шт.
 Норма поставки, шт. 300

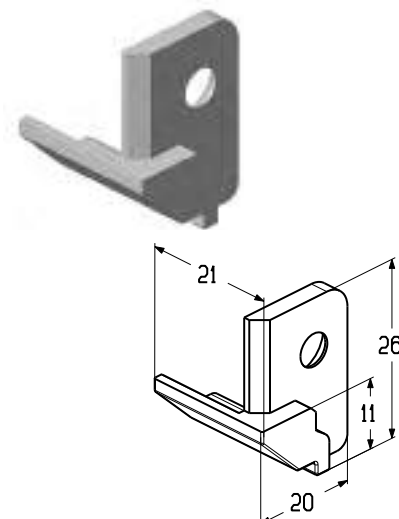


Артикул	Код
WL32	404410800

Заглушка нижняя

Устанавливается совместно с обрамлением и петель проема в верхней и промежуточных панелях.
Используется в калитке с плоским, низким и стандартным порогом.

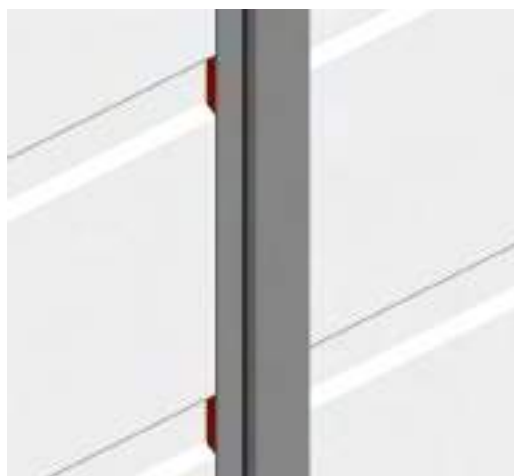
Материал PA
 Вес, кг/шт. 0,002
 Единица измерения шт.
 Норма поставки, шт. 900



Артикул	Код	Цвет
WD01R-GR	401710100	Серый
WD01R-BR	401710200	Коричневый
WD01L-GR	401710300	Серый
WD01L-BR	401710400	Коричневый

ОБРАМЛЕНИЕ ПРОЕМА

УСТАНОВКА ЗАГЛУШКИ КАЛИТОЧНОЙ

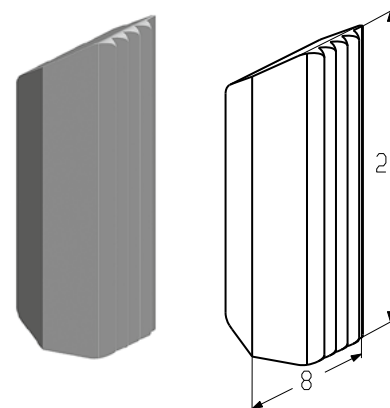


Заглушка калиточная

Предназначена для установки совместно с обрамлением проема и обрамлением калитки.
Устанавливается под обрамление в каждый зиг панелей с рисунком S-, M-, L-гофр.
Используется в калитке с плоским, низким и стандартным порогом.

Материал полиуретан
Вес, кг/шт. 0,001
Единица измерения шт.
Норма поставки, шт. 18000

Артикул	Код
WD2028	401713100



1.1

1.2

1.3

1.4

1.5

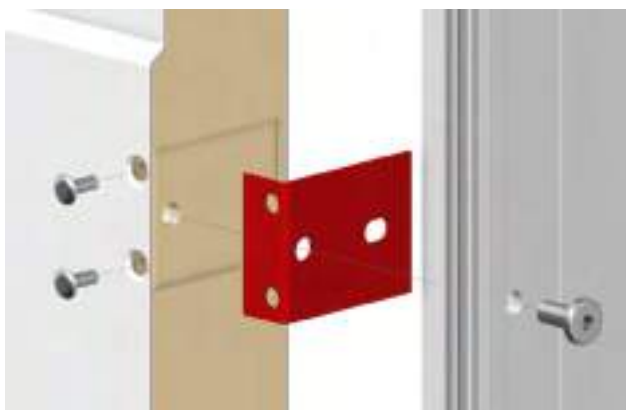
2

3

4

ОБРАМЛЕНИЕ ПРОЕМА

УСТАНОВКА СКОБЫ И КРОНШТЕЙНА



Скоба WD2013N

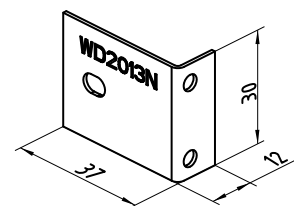


Кронштейн WD2014

Скоба

Предназначена для усиления петли проема и петли калитки по всей высоте встроенной калитки. Используется в калитке с плоским, низким и стандартным порогом.

Материал оцинкованная сталь
 Вес, кг/шт. 0,010
 Единица измерения шт.
 Норма поставки, шт. 1000

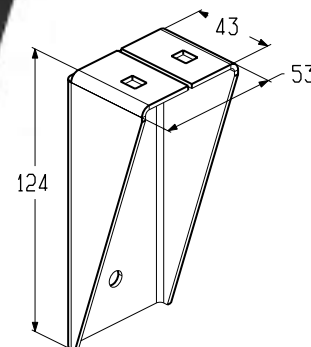


Артикул	Код
WD2013N	418700046

Кронштейн

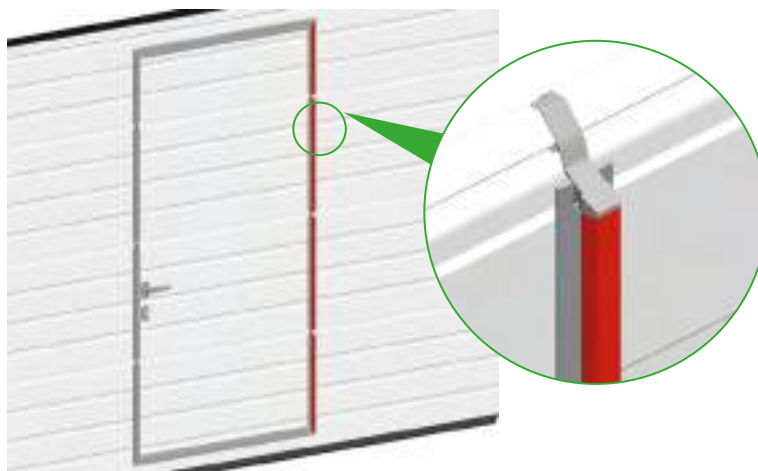
Предназначен для усиления верхней калиточной панели. Устанавливается совместно с профилем усиливающим (PRG-16, PRG-17). Используется в калитке с плоским, низким и стандартным порогом.

Материал оцинкованная сталь
 Покрытие полимерное
 Цвет бело-серый (близкий RAL 9002)
 Вес, кг/шт. 0,210
 Единица измерения шт.
 Норма поставки, шт. 40



Артикул	Код
WD2014	401750200

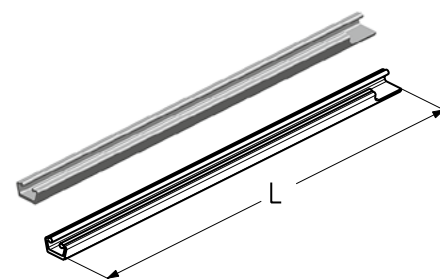
ПЕТЛЯ КАЛИТКИ



Элемент верхней петли

Предназначен для соединения петли калитки и петли проема в верхней панели.
Используется в калитке с плоским, низким и стандартным порогом.

Материал алюминий
Единица измерения шт.
Норма поставки, шт. 10

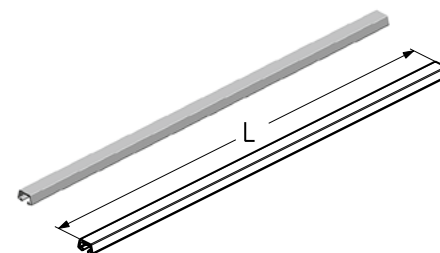


Артикул	Код	Покрытие	Цвет*	Длина, мм	Вес, кг/шт.	Применение
WD403R.001	404210091	Анодированное	A00-D6 (серебро)	181	0,041	Для ворот с правой калиткой
	404211233	Порошковое	RAL 8019			
WD404R.001	404210291	Анодированное	A00-D6 (серебро)	306	0,069	
	404211433	Порошковое	RAL 8019			
WD403L.001	404210191	Анодированное	A00-D6 (серебро)	181	0,041	Для ворот с левой калиткой
	404211333	Порошковое	RAL 8019			
WD404L.001	404210391	Анодированное	A00-D6 (серебро)	306	0,069	
	404211533	Порошковое	RAL 8019			

Элемент средней петли

Предназначен для соединения петли калитки и петли проема в промежуточных панелях.
Используется в калитке с плоским, низким и стандартным порогом.

Материал алюминий
Единица измерения шт.
Норма поставки, шт. 10



Артикул	Код	Покрытие	Цвет*	Длина, мм	Вес, кг/шт.	Применение
WD250R.001	404220091	Анодированное	A00-D6 (серебро)	481	0,116	Для ворот с правой и левой калиткой
	404221033	Порошковое	RAL 8019			
WD260R.001	404220191	Анодированное	A00-D6 (серебро)	606	0,146	
	404221133	Порошковое	RAL 8019			

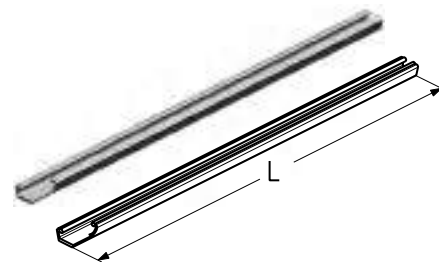
* Указанные в формате RAL **** цвета имеют близкое соответствие шкале RAL.

ПЕТЛЯ КАЛИТКИ

Элемент нижней петли

Предназначен для соединения петли калитки и петли проема в нижней панели.
Используется в калитке со стандартным порогом.

Материал алюминий
 Единица измерения шт.
 Норма поставки, шт. 10

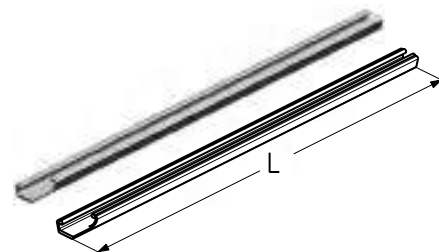


Артикул	Код	Покрытие	Цвет*	Длина, мм	Вес, кг/шт.	Применение
WD152R.001	404230291	Анодированное	A00-D6 (серебро)	377	0,165	Для ворот с правой калиткой
	404231433	Порошковое	RAL 8019			
WD162R.001	404230691	Анодированное	A00-D6 (серебро)	502	0,220	
	404231833	Порошковое	RAL 8019			
WD152L.001	404230391	Анодированное	A00-D6 (серебро)	377	0,165	Для ворот с левой калиткой
	404231533	Порошковое	RAL 8019			
WD162L.001	404230791	Анодированное	A00-D6 (серебро)	502	0,220	
	404231933	Порошковое	RAL 8019			

Элемент нижней петли

Предназначен для соединения петли калитки и петли проема в нижней панели.
Используется в калитке с низким порогом.

Материал алюминий
 Единица измерения шт.
 Норма поставки, шт. 10

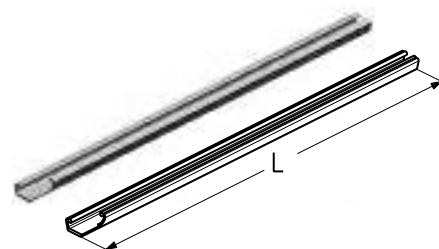


Артикул	Код	Покрытие	Цвет*	Длина, мм	Вес, кг/шт.	Применение
WD151R.001	404230091	Анодированное	A00-D6 (серебро)	422	0,185	Для ворот с правой калиткой
	404231233	Порошковое	RAL 8019			
WD161R.001	404230491	Анодированное	A00-D6 (серебро)	547	0,240	
	404231633	Порошковое	RAL 8019			
WD151L.001	404230191	Анодированное	A00-D6 (серебро)	422	0,185	Для ворот с левой калиткой
	404231333	Порошковое	RAL 8019			
WD161L.001	404230591	Анодированное	A00-D6 (серебро)	547	0,240	
	404231733	Порошковое	RAL 8019			

Элемент нижней петли

Предназначен для соединения петли калитки и петли проема в нижней панели.
Используется в калитке с плоским порогом.

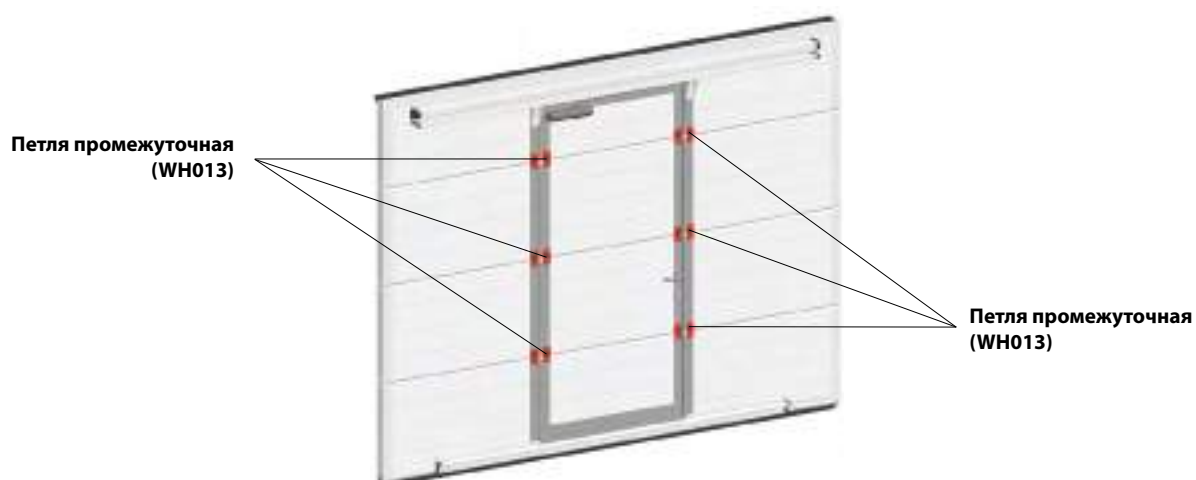
Материал алюминий
 Единица измерения шт.
 Норма поставки, шт. 10



Артикул	Код	Покрытие	Цвет*	Длина, мм	Вес, кг/шт.	Применение
WD-153R.001	404232091	Анодированное	A00-D6 (серебро)	493	0,113	Для ворот с правой калиткой
	404232033	Порошковое	RAL 8019			
WD-163R.001	404232191	Анодированное	A00-D6 (серебро)	618	0,142	
	404232133	Порошковое	RAL 8019			
WD-153L.001	404233591	Анодированное	A00-D6 (серебро)	493	0,113	Для ворот с левой калиткой
	404233533	Порошковое	RAL 8019			
WD-163L.001	404233691	Анодированное	A00-D6 (серебро)	618	0,142	
	404233633	Порошковое	RAL 8019			

* Указанные в формате RAL **** цвета имеют близкое соответствие шкале RAL.

ПЕТЛЯ ПРОМЕЖУТОЧНАЯ

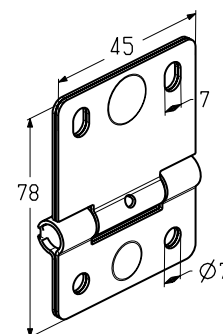
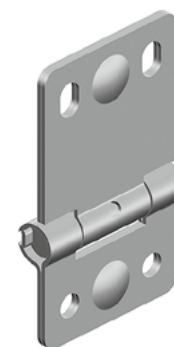


Петля промежуточная

Предназначена для соединения калиточных панелей. Устанавливается на обрамление проема и обрамление калитки.

Используется в калитке с плоским, низким и стандартным порогом.

Материал нержавеющая сталь
 Вес, кг/шт. 0,075
 Единица измерения шт.
 Норма поставки, шт. 40



Артикул	Код
WH013	404240300

СУХАРЬ

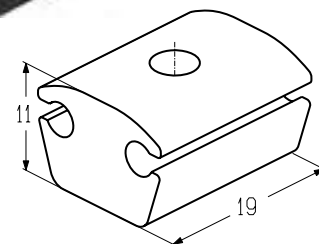


Сухарь

Предназначен для предотвращения взаимного перемещения петли проема относительно петли калитки.

Используется в калитке с плоским, низким и стандартным порогом.

Материал пластмасса
 Вес, кг/шт. 0,003
 Единица измерения шт.
 Норма поставки, шт. 100



Артикул	Код
WD100	401720100

ПРОФИЛЬ УСИЛИВАЮЩИЙ НИЖНИЙ



Профиль усиливающий PRG-12

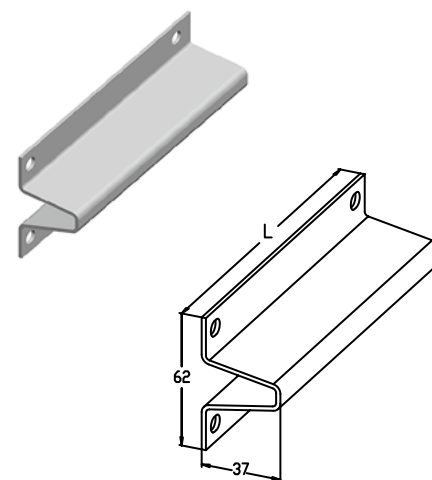


Профиль усиливающий PRG-13

Профиль усиливающий

Предназначен для усиления нижней калиточной секции.
Используется в калитке с низким порогом.

Материал оцинкованная сталь
 Покрытие полимерное
 Цвет бело-серый (близкий RAL 9002)
 Вес, кг/м 2,175
 Единица измерения м

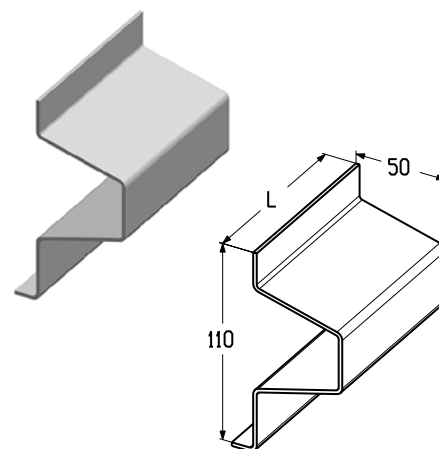


Артикул	Код	Длина, мм	Норма поставки, м	Норма поставки, шт.
PRG-12	401411110	5940	285,12	48
		6270	300,96	

Профиль усиливающий

Предназначен для усиления нижней калиточной секции.
Используется в калитке со стандартным порогом.

Материал оцинкованная сталь
 Покрытие полимерное
 Цвет бело-серый (близкий RAL 9002)
 Вес, кг/м 3,195
 Единица измерения м



Артикул	Код	Длина, мм	Норма поставки, м	Норма поставки, шт.
PRG-13	401411210	4620	92,40	20
		5610	112,2	
		6600	132,00	

ЗАГЛУШКА НИЖНЯЯ



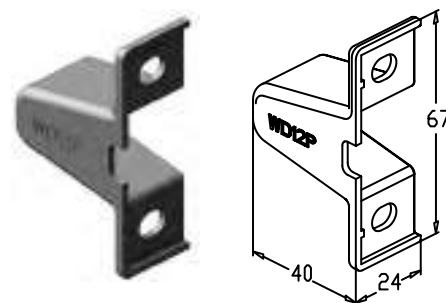
Заглушка WD12P

Заглушка WD13PR/L

Заглушка

Устанавливается совместно с профилем усиливающим (PRG-12).
Используется в калитке с низким порогом.

Материал	PA
Вес, кг/шт.	0,008
Единица измерения	шт.
Норма поставки, шт.	650

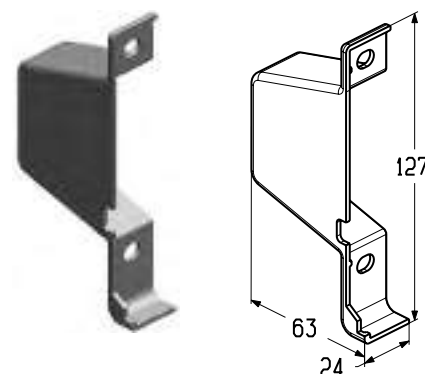


Артикул	Код	Примечание
WD12P	401716100	Универсальная

Заглушка

Устанавливается совместно с профилем усиливающим (PRG-13).
Используется в калитке со стандартным порогом.

Материал	PA
Вес, кг/шт.	0,016
Единица измерения	шт.
Норма поставки, шт.	400

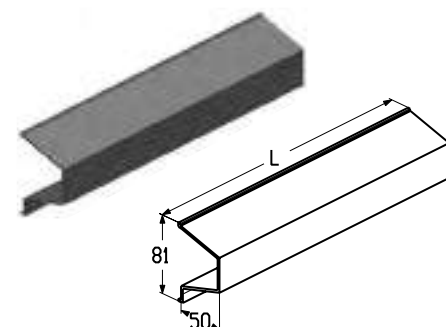


Артикул	Код	Примечание
WD13PL	401712400	Левая
WD13PR	401712300	Правая

Профиль воротный

Предназначен для усиления нижней панорамной калиточной секции.
Используется в калитке со стандартным порогом.

Материал	алюминий
Длина, мм	6000
Покрытие	анодированное
Цвет	A00-D6 (серебро)
Вес, кг/м	1,016
Единица измерения	м



Артикул	Код	Норма поставки, м	Норма поставки, шт.
PRD13	4000557	24	4

ПРОФИЛЬ УСИЛИВАЮЩИЙ ВЕРХНИЙ



Профиль усиливающий PRG-16

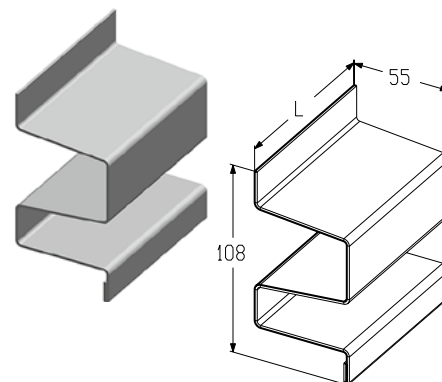


Профиль усиливающий PRG-17

Профиль усиливающий

Предназначен для усиления верхней калиточной секции. Используется при врезке калитки в последнюю воротную панель. Используется в калитке с плоским, низким и стандартным порогом.

Материал оцинкованная сталь
 Покрытие полимерное
 Цвет бело-серый (близкий RAL 9002)
 Вес, кг/м 3,20
 Единица измерения м

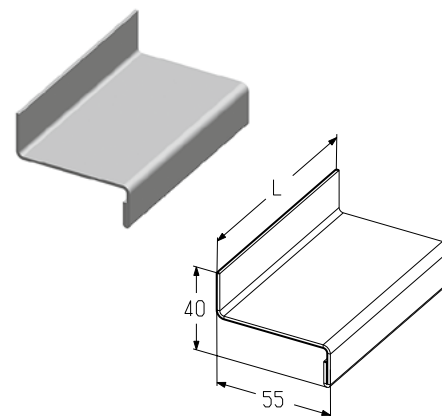


Артикул	Код	Длина, мм	Норма поставки, м	Норма поставки, шт.
PRG-16	401411510	5280	158,4	30
		6600	198,0	

Профиль усиливающий

Предназначен для усиления верхней калиточной секции. Используется при врезке калитки в ворота, в которых верхняя калиточная секция не является верхней секцией полотна ворот. Используется в калитке с плоским, низким и стандартным порогом.

Материал оцинкованная сталь
 Покрытие полимерное
 Цвет бело-серый (близкий RAL 9002)
 Вес, кг/м 1,20
 Единица измерения м



Артикул	Код	Длина, мм	Норма поставки, м	Норма поставки, шт.
PRG-17	401411610	5280	633,6	120
		6600	792,0	

ЗАГЛУШКА ВЕРХНЯЯ



Заглушка WD16PR/L

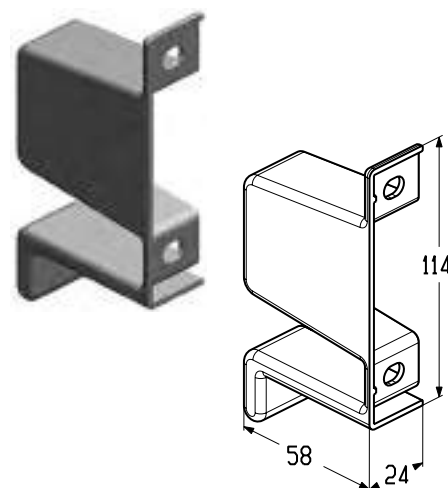
Заглушка WD17PR/L

Заглушка

Устанавливается совместно с профилем усиливающим (PRG-16).
Используется в калитке с плоским, низким и стандартным порогом.

Материал	PA
Вес, кг/шт.	0,024
Единица измерения	шт.
Норма поставки, шт.	200

Артикул	Код	Примечание
WD16PL	401712600	Левая
WD16PR	401712500	Правая

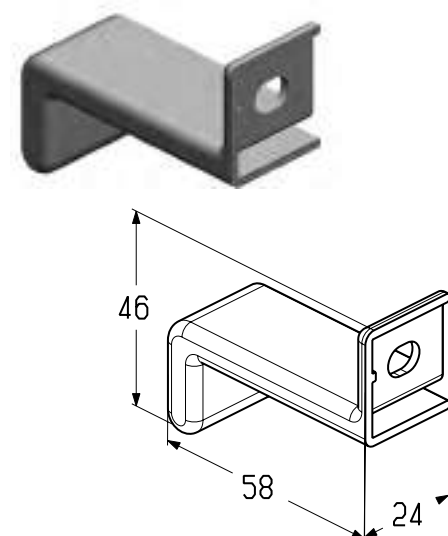


Заглушка

Устанавливается совместно с профилем усиливающим (PRG-17).
Используется в калитке с плоским, низким и стандартным порогом.

Материал	PA
Вес, кг/шт.	0,008
Единица измерения	шт.
Норма поставки, шт.	500

Артикул	Код	Примечание
WD17PL	401712800	Левая
WD17PR	401712700	Правая

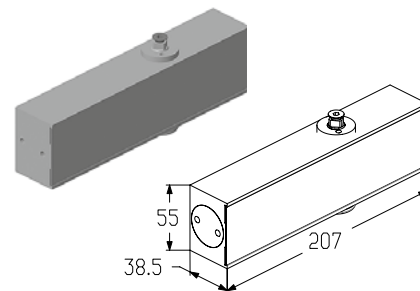


АКСЕССУАРЫ ДЛЯ ВСТРОЕННОЙ КАЛИТКИ

Доводчик дверной

Предназначен для автоматического закрывания калитки. Используется совместно с тягой для доводчика (DP2020). Используется в калитке с плоским, низким и стандартным порогом.

Вес, кг/шт. 1,97
Единица измерения шт.
Норма поставки, шт. 10

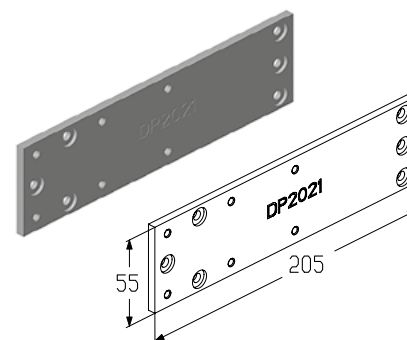


Артикул	Код
DP2022	418700290

Пластина соединительная

Используется совместно с тягой доводчика (DP2020) и доводчиком (DP2022).
Используется в калитке с плоским, низким и стандартным порогом.

Вес, кг/шт. 0,43
Единица измерения шт.
Норма поставки, шт. 10

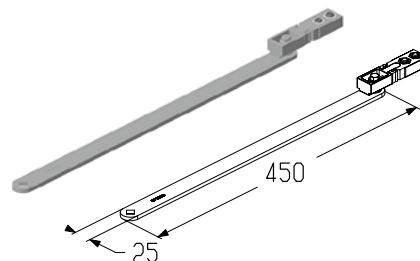


Артикул	Код	Цвет*
DP2021	405000045	RAL 9006

Тяга доводчика

Предназначена для установки совместно с доводчиком дверным (DP2022).
Используется в калитке с плоским, низким и стандартным порогом.

Вес, кг/шт. 0,43
Единица измерения шт.
Норма поставки, шт. 10



Артикул	Код	Цвет*
DP2020	418700282	RAL 9006

* Указанные в формате RAL **** цвета имеют близкое соответствие шкале RAL.

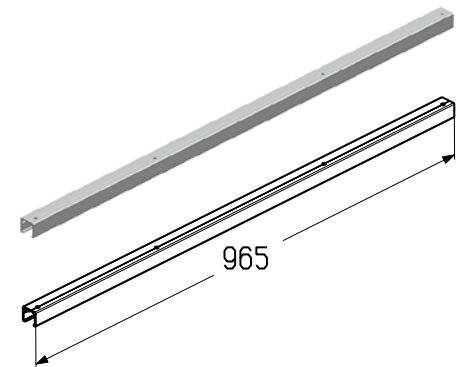
АКСЕССУАРЫ ДЛЯ ВСТРОЕННОЙ КАЛИТКИ

Шина доводчика

Предназначена для движения тяги доводчика (DP2020). Устанавливается совместно с профилем усиливающим (PRG-16, PRG-17). Используется в калитке с плоским, низким и стандартным порогом.

Длина, мм	965
Материал	алюминий
Вес, кг/шт.	0,510
Единица измерения	шт.
Норма поставки, шт.	10

Артикул	Код	Цвет
WD403R.108	404470191	A00-D6 (анодирование)
WD403R.108	404470133	RAL 8019

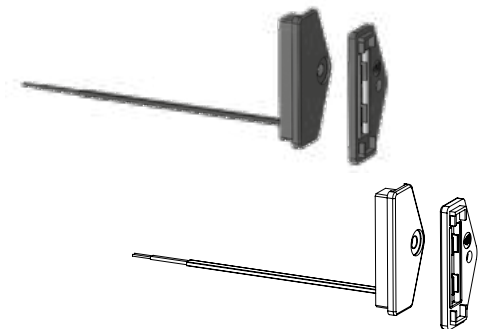


Контакт калитки

Предназначен для отключения электропривода при открытой калитке. Используется в калитке с плоским, низким и стандартным порогом.

Единица измерения	шт.
Норма поставки, шт.	10

Артикул	Код	Вес, кг	Длина кабеля, м
WSL-3	508000016	0,060	3
WSL-8	508000021	0,210	8

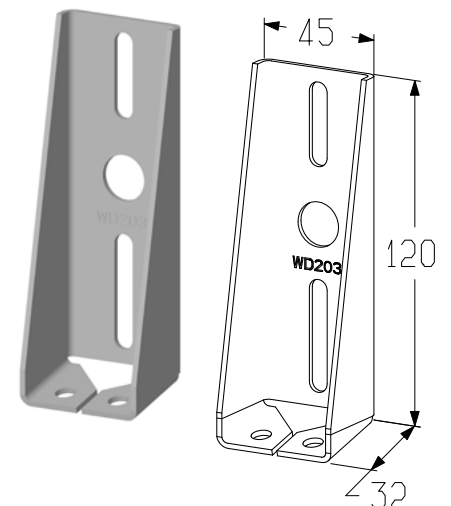


Кронштейн

Предназначен для усиления нижней секции калитки. Устанавливается совместно с профилем усиливающим (PRG-12, PRG-13). Используется в калитке с низким и стандартным порогом.

Материал	оцинкованная сталь
Вес, кг/шт.	1,570
Единица измерения	шт.
Норма поставки, шт.	1

Артикул	Код
WD2035	404400200



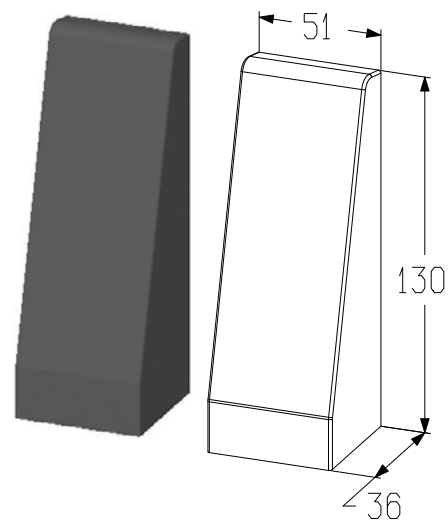
* Указанные в формате RAL **** цвета имеют близкое соответствие шкале RAL.

Крышка кронштейна

Устанавливается совместно с кронштейном (WD2035).
Используется в калитке с низким и стандартным порогом.

Материал АБС
 Вес, кг/шт. 0,040
 Единица измерения шт.
 Норма поставки, шт. 1

Артикул	Код
WD2039	404400300



1.1

1.2

1.3

1.4

1.5

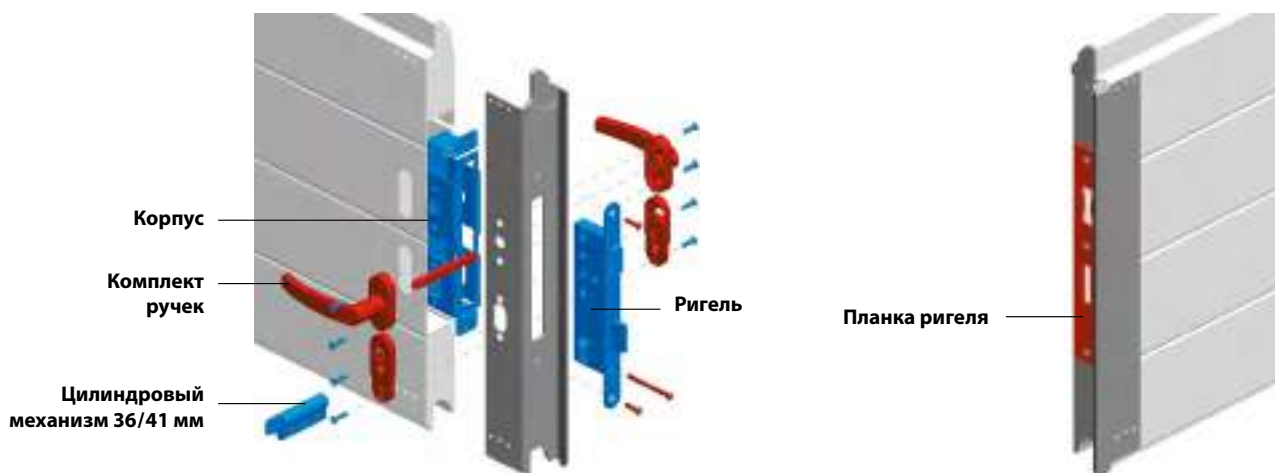
2

3

4

АКСЕССУАРЫ ДЛЯ ВСТРОЕННОЙ КАЛИТКИ

УСТАНОВКА ЗАМКА КАЛИТКИ

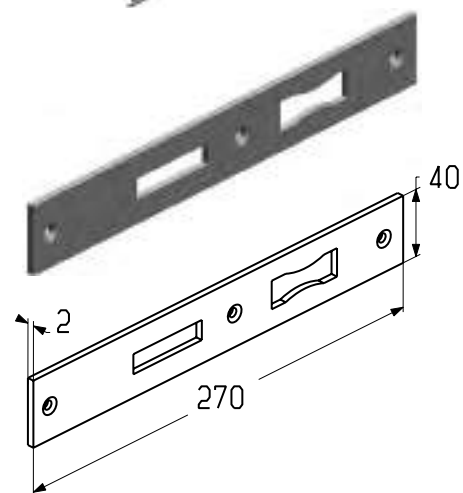


Планка ригеля

Предназначена для установки на обрамление проема среднее (WD250R.302KFV, WD250L.302KFV, WD260R.302KFV, WD260L.302KFV).

Используется в калитке с плоским, низким и стандартным порогом.

Материал нержавеющая сталь
 Вес, кг/шт. 0,130
 Единица измерения шт.
 Норма поставки, шт. 10



Артикул	Код
WD0210	418700200

АКСЕССУАРЫ ДЛЯ ВСТРОЕННОЙ КАЛИТКИ

Комплект ручек

Предназначен для установки в калитке с плоским, низким и стандартным порогом.

Материал цинковый сплав
 Вес, кг/шт. 0,885
 Единица измерения шт.
 Норма поставки, шт. 10

Используется:

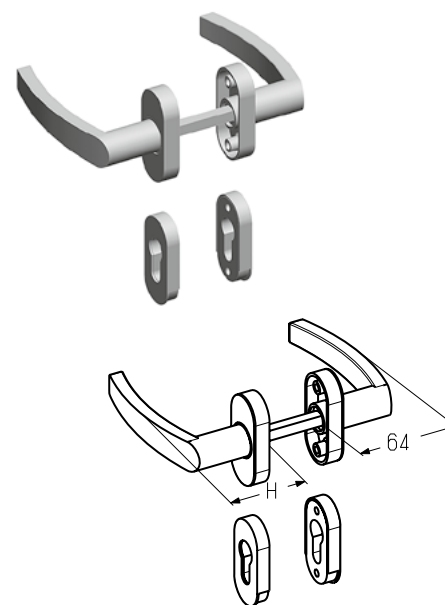
- для гаражных ворот стандартного типа монтажа;
- для промышленных ворот всех типов монтажа, кроме высоких, вертикальных и наклонных высоких.

Артикул	Код	Покрытие	Цвет*	Вылет наружной ручки от полотна ворот (H), мм	Примечание
WL2021-SL	404410191	Анодированное	A00-D6 (серебро)	64	Евроцилиндр
WL2021-BR	404410133	Порошковое	RAL 8019		
WL2021-BK	404410130	Порошковое	RAL 9005		

Используется:

- для гаражных ворот низкого и высокого типов монтажа;
- для промышленных ворот высоких, вертикальных и наклонных высоких типов монтажа с верхним и нижним расположением вала.

Артикул	Код	Покрытие	Цвет*	Вылет наружной ручки от полотна ворот (H), мм	Примечание
WL2022-SL	404410291	Анодированное	A00-D6 (серебро)	24	Евроцилиндр
WL2022-BR	404410233	Порошковое	RAL 8019		
WL2022-BK	404410230	Порошковое	RAL 9005		



Комплект ручек

Предназначен для установки в калитке с плоским, низким и стандартным порогом.

Материал цинковый сплав
 Вес, кг/шт. 0,932
 Единица измерения шт.
 Норма поставки, шт. 1

Используется:

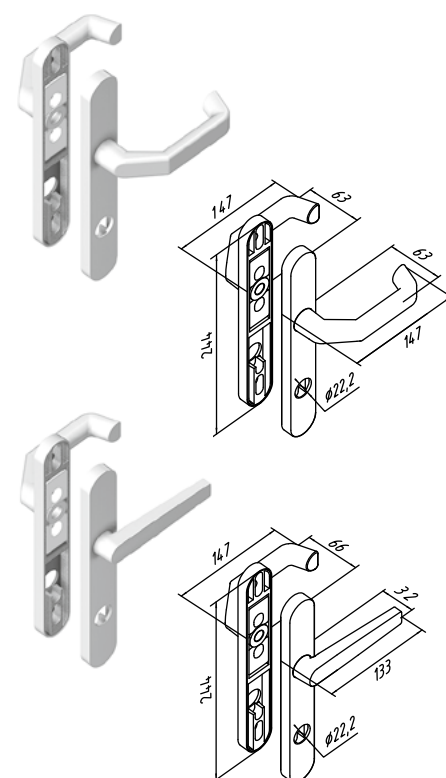
- для гаражных ворот стандартного типа монтажа;
- для промышленных ворот всех типов монтажа, кроме высоких, вертикальных и наклонных высоких.

Артикул	Код	Покрытие	Цвет	Вылет наружной ручки от полотна ворот (H), мм	Примечание
11042512	415700115	Анодированное	A00-D6 (серебро)	63	Швейцарский цилиндр

Используется:

- для гаражных ворот низкого и высокого типов монтажа;
- для промышленных ворот высоких, вертикальных и наклонных высоких типов монтажа с верхним и нижним расположением вала.

Артикул	Код	Покрытие	Цвет	Вылет наружной ручки от полотна ворот (H), мм	Примечание
11042511	415700114	Анодированное	A00-D6 (серебро)	32	Швейцарский цилиндр



* Указанные в формате RAL **** цвета имеют близкое соответствие шкале RAL.

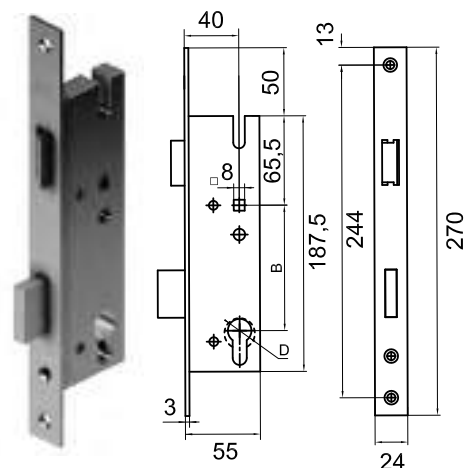
АКСЕССУАРЫ ДЛЯ ВСТРОЕННОЙ КАЛИТКИ

Ригель

Предназначен для установки совместно с корпусом вкладным (PED-2039).
Используется в калитке с плоским, низким и стандартным порогом.

Вес, кг/шт. 0,660
Единица измерения шт.
Норма поставки, шт. 10

Артикул	Код	Диаметр D, мм	Расстояние B, мм	Примечание
WL0202-PC	415700110	17,3	92	Евроцилиндр
WL0202-RC	415700111	22,4	94	Швейцарский цилиндр

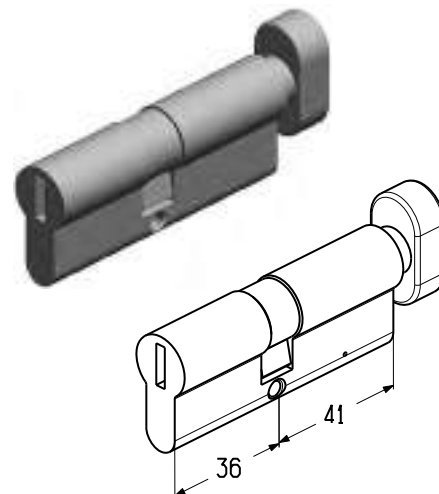


Цилиндровый механизм 36/41 мм

Предназначен для установки совместно с ригелем (WL0202-PC).
Используется в калитке с плоским, низким и стандартным порогом.

Вес, кг/шт. 0,294
Единица измерения шт.
Норма поставки, шт. 10

Артикул	Код
C-36/41M	404410700

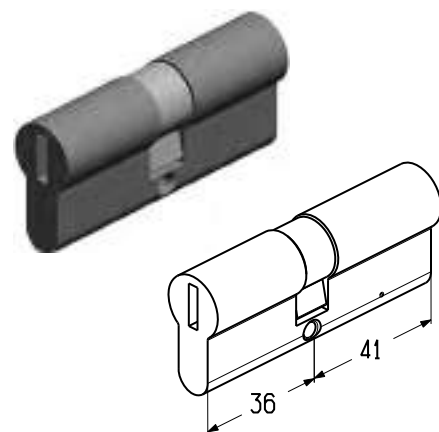


Цилиндровый механизм 36/41 мм

Предназначен для установки совместно с ригелем (WL0202-PC).
Используется в калитке с плоским, низким и стандартным порогом.

Вес, кг/шт. 0,264
Единица измерения шт.
Норма поставки, шт. 10

Артикул	Код
C-36/41	404410500



АКСЕССУАРЫ ДЛЯ ВСТРОЕННОЙ КАЛИТКИ

УСТАНОВКА УСТРОЙСТВА ЭКСТРЕННОГО ОТКРЫВАНИЯ ДВЕРЕЙ



Вид снаружи



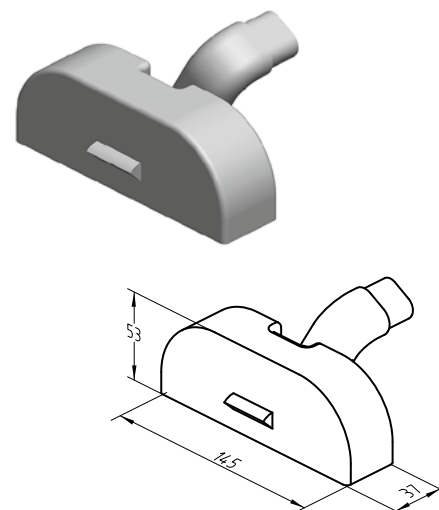
Вид изнутри

Центральный замок

Предназначен для запираения калитки.
Используется в калитке с плоским, низким и стандартным порогом.

Вес, кг/шт. 0,845
Единица измерения шт.
Норма поставки, шт. 1

Артикул	Код
PED2016	407480100

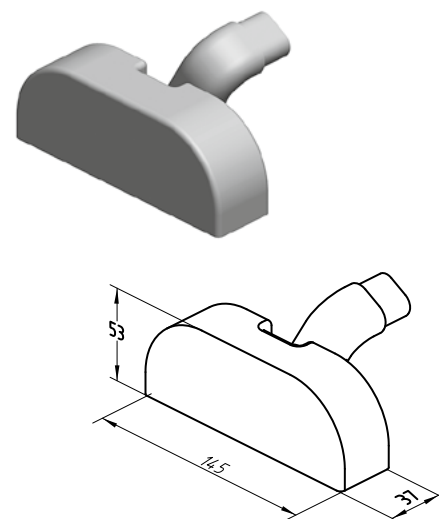


Механизм

Устанавливается совместно с центральным замком (PED2016) и нажимной штангой (PED2018).
Используется в калитке с плоским, низким и стандартным порогом.

Материал оцинкованная сталь
Вес, кг/шт. 0,790
Единица измерения шт.
Норма поставки, шт. 1

Артикул	Код
PED2017	407480200

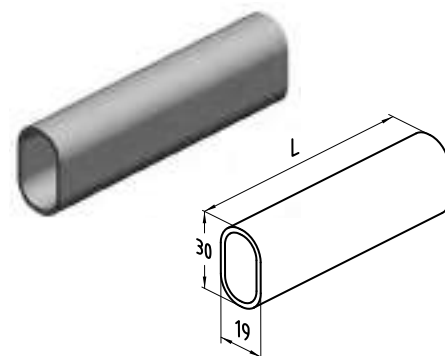


Нажимная штанга

Предназначена для открытия калитки с внутренней стороны.
Используется в калитке с плоским, низким и стандартным порогом.

Длина, мм	830
Материал	сталь
Покрытие	порошковое
Цвет	красный
Вес, кг/шт.	0,750
Единица измерения	шт.
Норма поставки, шт.	1

Артикул	Код
PED2018	407480300

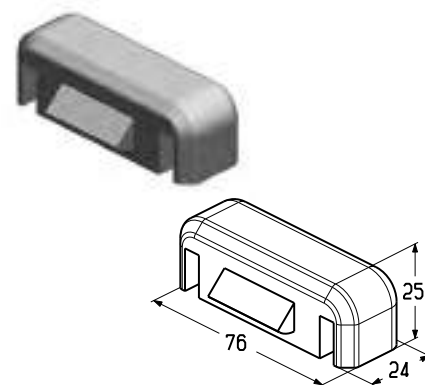


Ответная часть для центрального замка

Устанавливается совместно с механизмом (PED2017) и нажимной штангой (PED2018).
Используется в калитке с плоским, низким и стандартным порогом.

Материал	оцинкованная сталь
Вес, кг/шт.	0,164
Единица измерения	шт.
Норма поставки, шт.	1

Артикул	Код
PED2019	407480400

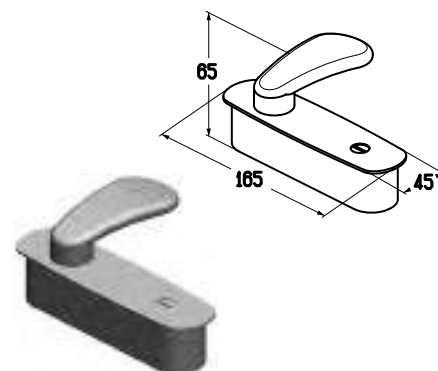


Наружная нажимная ручка

Предназначена для открытия калитки с наружной стороны.
Используется в калитке с плоским, низким и стандартным порогом.

Цвет	серебристый
Вес, кг/шт.	1,155
Единица измерения	шт.
Норма поставки, шт.	1

Артикул	Код
PED2020	407480500

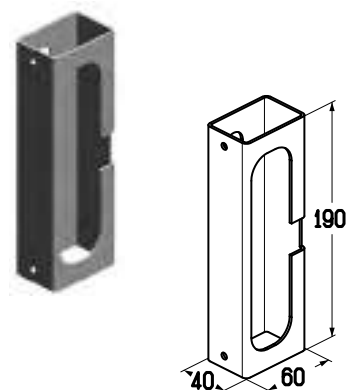


Корпус

Предназначен для установки совместно с наружной нажимной ручкой (PED2020).
Используется в калитке с плоским, низким и стандартным порогом.

Материал	сталь
Покрытие	порошковое
Цвет	бело-серый (близкий RAL 9002)
Вес, кг/шт.	0,450
Единица измерения	шт.
Норма поставки, шт.	1

Артикул	Код	Примечание
PED2025L	407480700	Левый
PED2025R	407480600	Правый



АКСЕССУАРЫ ДЛЯ ВСТРОЕННОЙ КАЛИТКИ

УСТАНОВКА УСТРОЙСТВА ЭКСТРЕННОГО ОТКРЫВАНИЯ ДВЕРЕЙ С ФУНКЦИЕЙ В



Вид снаружи



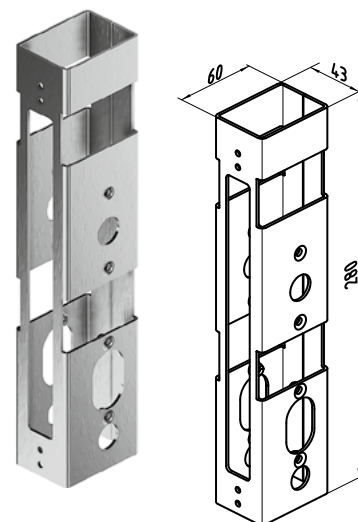
Вид изнутри

Корпус замка анти-паник В

Предназначен для установки ригеля (WL0202-PC, WL0202-RC, PED-2041-PC, PED-2041-RC).
Используется в калитке с плоским, низким и стандартным порогом. Входит в состав устройства экстренного открывания дверей функция В (PED21-45).

Материал оцинкованная сталь
Вес, кг/шт. 0,573
Единица измерения шт.
Норма поставки, шт. 10

Артикул	Код
PED-2039	401700200

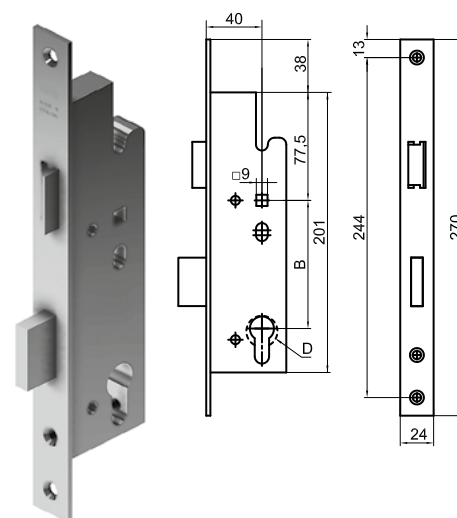


Ригель замка анти-паник В

Используется в калитке с плоским, низким и стандартным порогом.
Входит в состав устройства экстренного открывания дверей функция В (PED21-45).

Вес, кг/шт. 0,601
Единица измерения шт.
Норма поставки, шт. 1

Артикул	Код	Диаметр D, мм	Расстояние В, мм	Примечание
PED-2041-PC	418700138	17,3	92	Евроцилиндр
PED-2041-RC	418700139	22,4	94	Швейцарский цилиндр

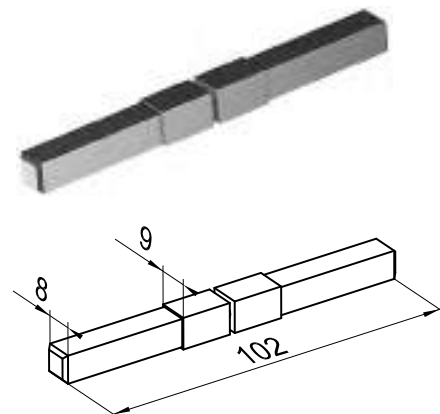


Квадрат раздельный анти-паник В

Используется в калитке с плоским, низким и стандартным порогом.
Входит в состав устройства экстренного открывания дверей функция В (PED21-45).

Материал оцинкованная сталь
Вес, кг/шт. 0,060
Единица измерения шт.
Норма поставки, шт. 10

Артикул	Код
PED-2042	401700500

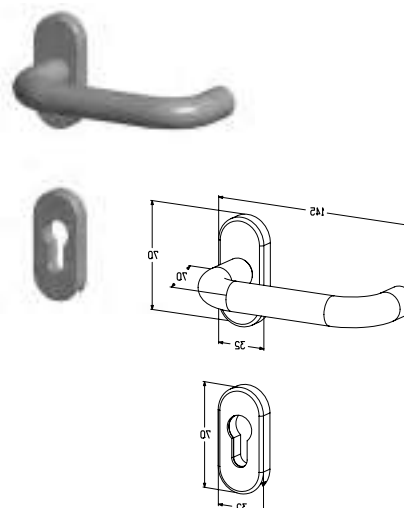


Комплект ручек анти-паник В

Используется в калитке с плоским, низким и стандартным порогом.
Входит в состав устройства экстренного открывания дверей функция В (PED21-45).

Материал нержавеющая сталь
Вес, кг/шт. 0,275
Единица измерения шт.
Норма поставки, шт. 10

Артикул	Код	Применение	Примечание
PED-2040R	401700700	Правый	Евроцилиндр
PED-2040L	401700800	Левый	



АКСЕССУАРЫ ДЛЯ ВСТРОЕННОЙ КАЛИТКИ

УСТАНОВКА УСТРОЙСТВА ЭКСТРЕННОГО ОТКРЫВАНИЯ ДВЕРЕЙ С ФУНКЦИЕЙ E



Вид снаружи



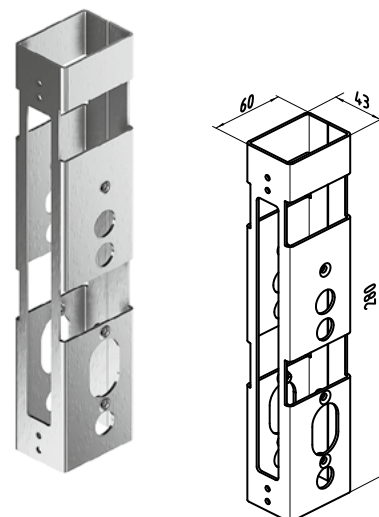
Вид изнутри

Корпус замка анти-паник E

Предназначен для установки ригеля (PED-2044-PC, PED-2044-RC).
Используется в калитке с плоским, низким и стандартным порогом. Входит в состав устройства экстренного открывания дверей функция E (PED22-45).

Материал оцинкованная сталь
Вес, кг/шт. 0,573
Единица измерения шт.
Норма поставки, шт. 10

Артикул	Код
PED-2043	401700900

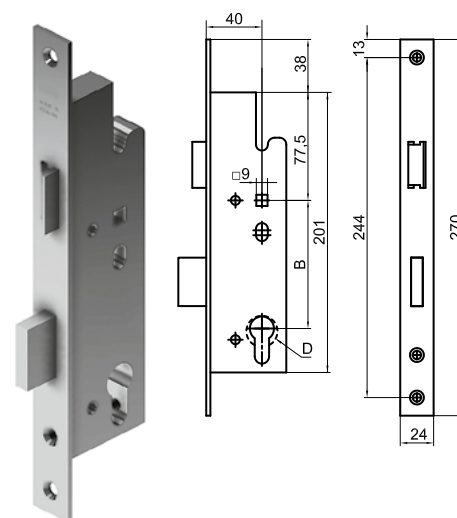


Ригель замка анти-паник E

Используется в калитке с плоским, низким и стандартным порогом.
Входит в состав устройства экстренного открывания дверей функция E (PED22-45).

Вес, кг/шт. 0,765
Единица измерения шт.
Норма поставки, шт. 10

Артикул	Код	Диаметр D, мм	Расстояние E, мм	Примечание
PED-2044-PC	418700136	17,3	92	Евроцилиндр
PED-2044-RC	418700137	22,4	94	Швейцарский цилиндр

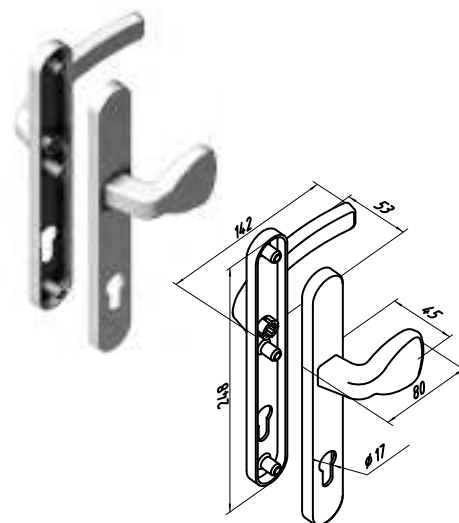


Комплект ручек анти-паник E

Используется в калитке с плоским, низким и стандартным порогом.
Входит в состав устройства экстренного открывания дверей функция E (PED22-45).

Материал цинковый сплав
Вес, кг/шт. 1,040
Единица измерения шт.
Норма поставки, шт. 10

Артикул	Код	Применение	Примечание
FLGU.400.1008	417200095	Левый	Евроцилиндр
FLGU.400.1009	417200195	Правый	

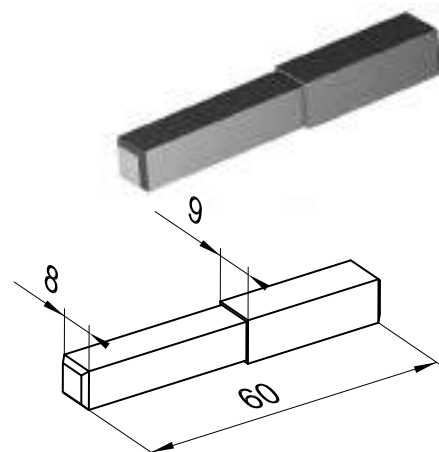


Квадрат раздельный анти-паник E

Используется в калитке с плоским, низким и стандартным порогом.
Входит в состав устройства экстренного открывания дверей функция E (PED22-45).

Материал оцинкованная сталь
Вес, кг/шт. 0,040
Единица измерения шт.
Норма поставки, шт. 1

Артикул	Код
PED-2045	401701200

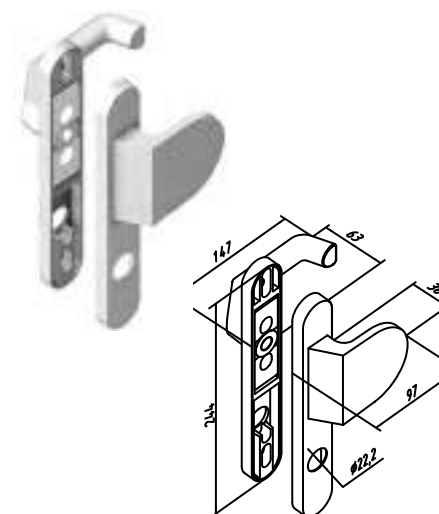


Комплект ручек

Используется в калитке с плоским, низким и стандартным порогом.
Входит в состав устройства экстренного открывания дверей функция E (PED22-45).

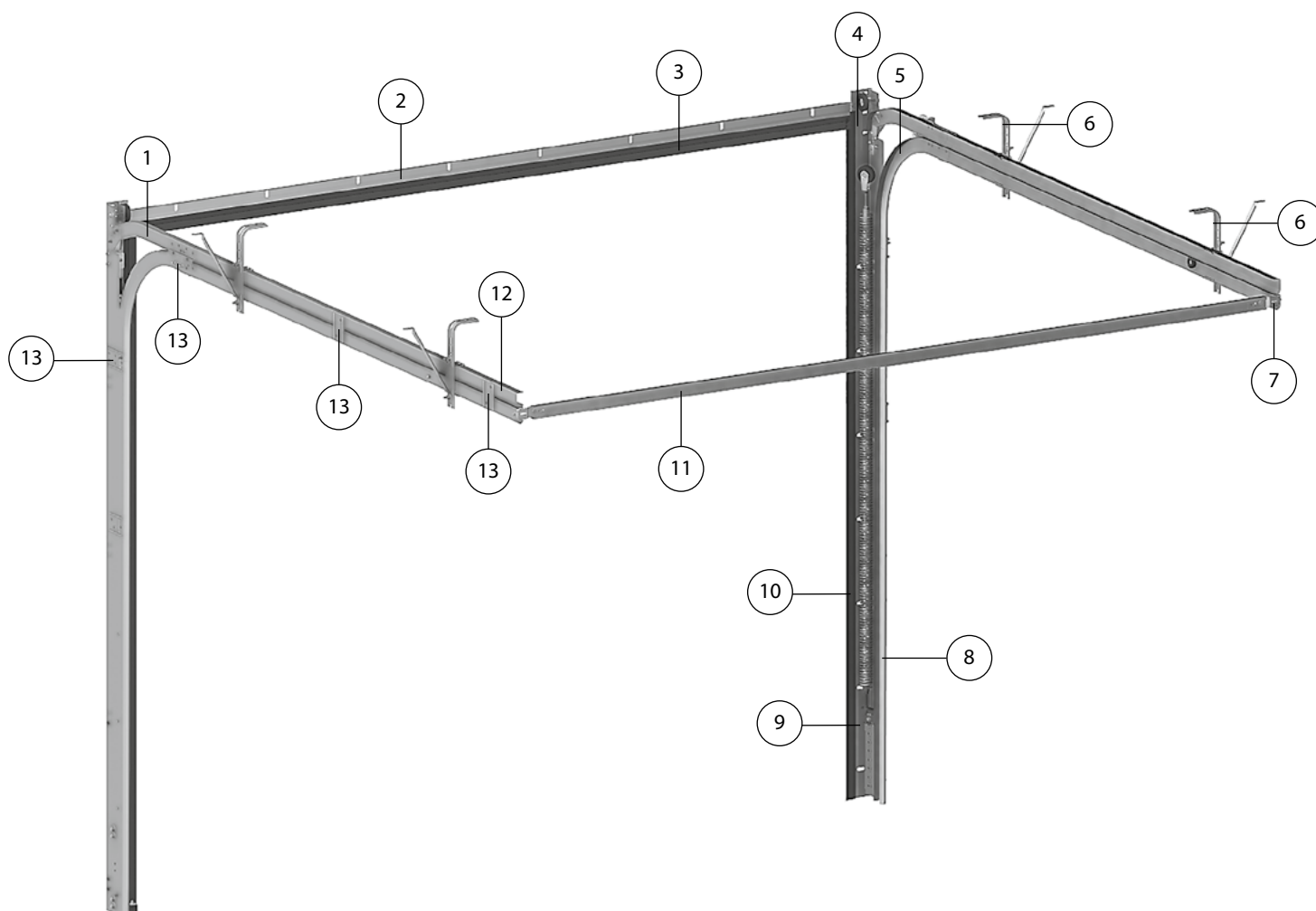
Материал цинковый сплав
Вес, кг/шт. 1,001
Единица измерения шт.
Норма поставки, шт. 1

Артикул	Код	Покрытие	Цвет	Вылет наружной ручки от полотна ворот (H), мм	Примечание
11042513	415700116	Анодированное	A00-D6 (серебро)	38	Швейцарский цилиндр



1.4

Системы направляющих
и подвеса

ГАРАЖНЫЕ ВОРОТА СЕРИИ PRESTIGE
С ПРУЖИНАМИ РАСТЯЖЕНИЯ

№	Наименование	№	Наименование
1	Узел направляющий передний	8	Профиль направляющий (вертикальный)
2	Профиль передний (нащельник)	9	Профиль угловой
3	Вставка уплотнительная	10	Вставка уплотнительная
4	Кронштейн	11	C-профиль (мерная планка)
5	Элемент радиусный	12	Профиль направляющий (горизонтальный)
6	Телескопический подвес	13	Пластины соединительные
7	Кронштейн мерной планки		

1.1

1.2

1.3

1.4

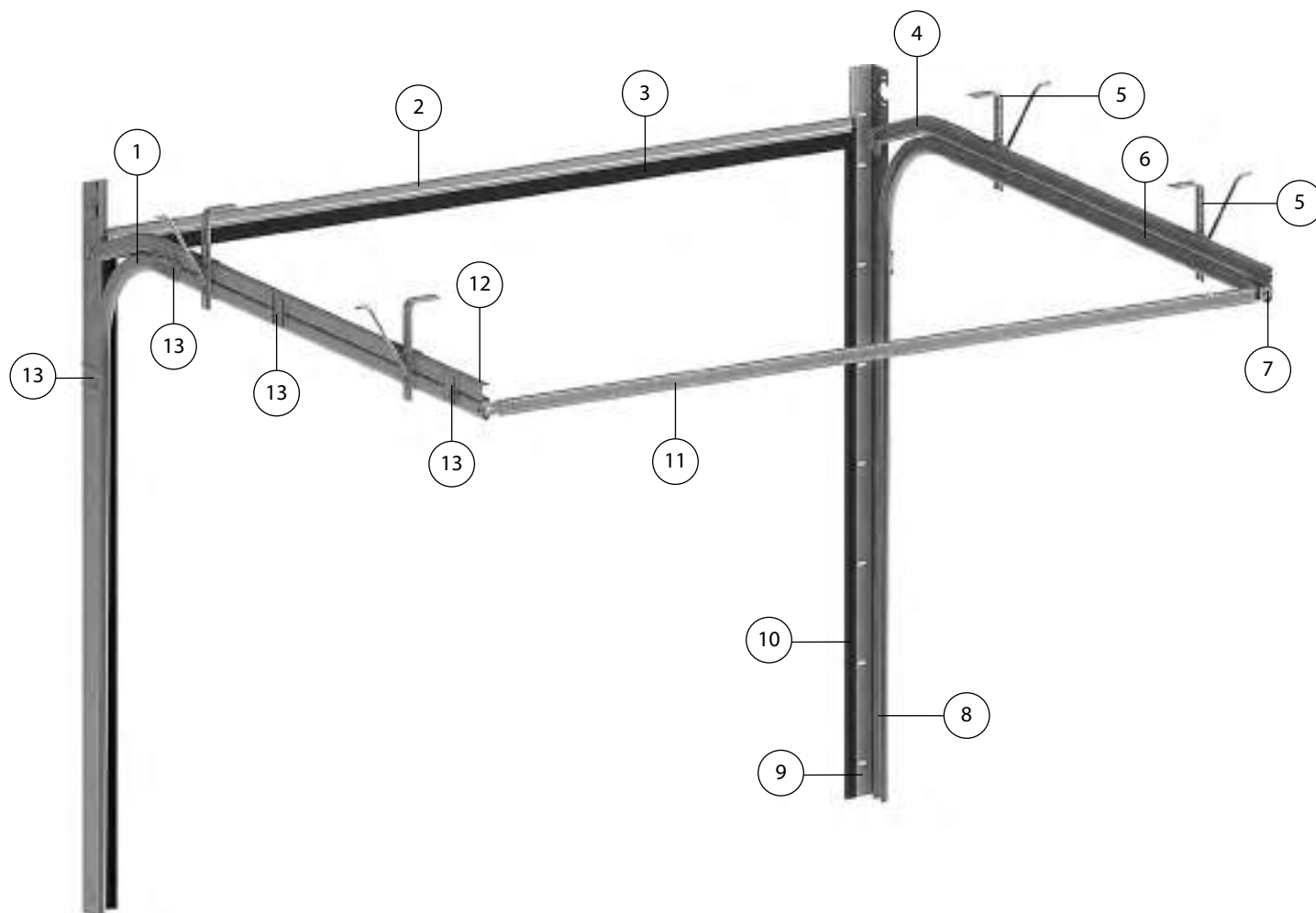
1.5

2

3

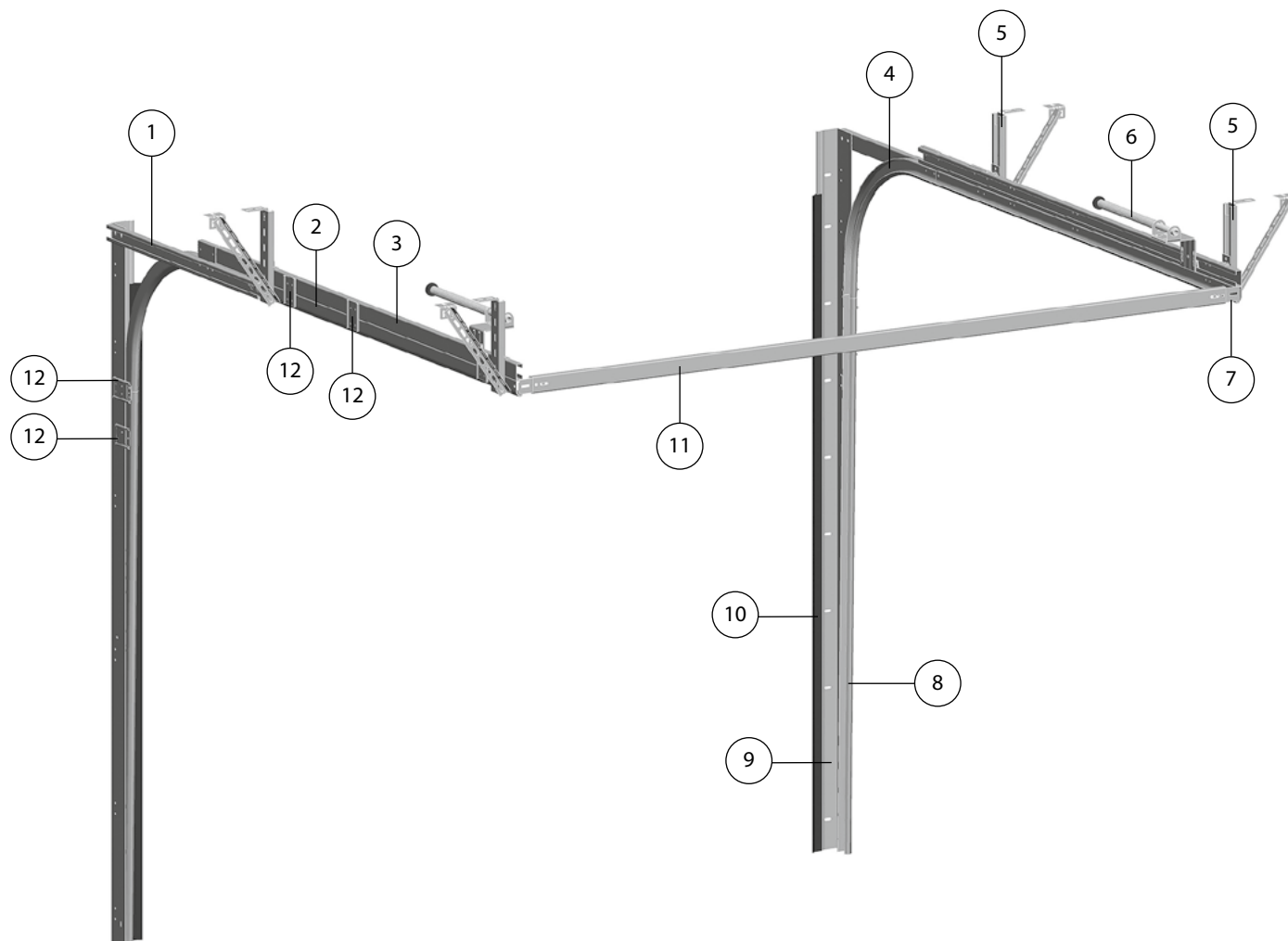
4

ГАРАЖНЫЕ ВОРОТА СЕРИИ PRESTIGE С ТОРСИОННЫМИ ПРУЖИНАМИ СТАНДАРТНЫЙ ТИП МОНТАЖА



№	Наименование	№	Наименование
1	Элемент радиусный	9	Профиль угловой
2	Профиль передний (нащельник)	10	Вставка уплотнительная
3	Вставка уплотнительная	11	С-профиль (мерная планка)
4	Узел направляющий передний	12	Профиль направляющий (горизонтальный)
5	Телескопический подвес	13	Пластины соединительные
6	Ограничитель		
7	Кронштейн мерной планки		
8	Профиль направляющий (вертикальный)		

ТИПОВАЯ КОНСТРУКЦИЯ СИСТЕМЫ НАПРАВЛЯЮЩИХ И ПОДВЕСА ПРОМЫШЛЕННЫХ ВОРОТ СЕРИИ PROPLUS, ПАНОРАМНЫХ ВОРОТ СЕРИЙ ALUPRO И ALUTHERM СТАНДАРТНЫЙ ТИП МОНТАЖА



№	Наименование	№	Наименование
1	Узел передний	7	Кронштейн мерной планки
2	Профиль направляющий (горизонтальный)	8	Профиль направляющий (вертикальный)
3	C-профиль	9	Профиль угловой
4	Элемент радиусный	10	Вставка уплотнительная
5	Телескопический подвес	11	C-профиль (мерная планка)
6	Демпфер	12	Пластины соединительные

1.1

1.2

1.3

1.4

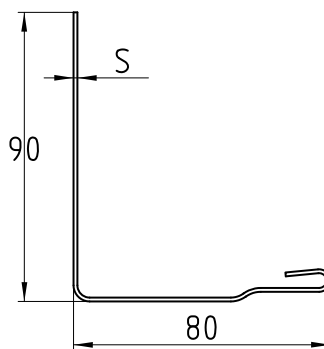
1.5

2

3

4

ПРОФИЛИ УГЛОВЫЕ

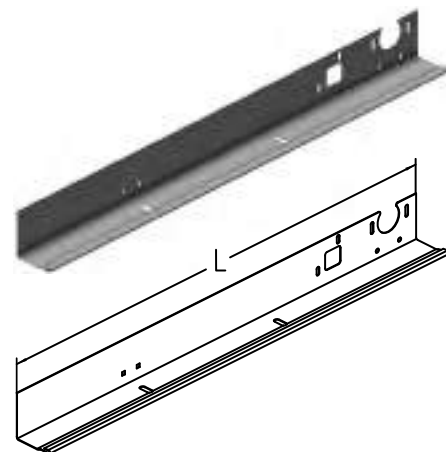


Профиль угловой

Предназначен для изготовления вертикальных направляющих.
Используется в гаражных воротах стандартного типа монтажа.

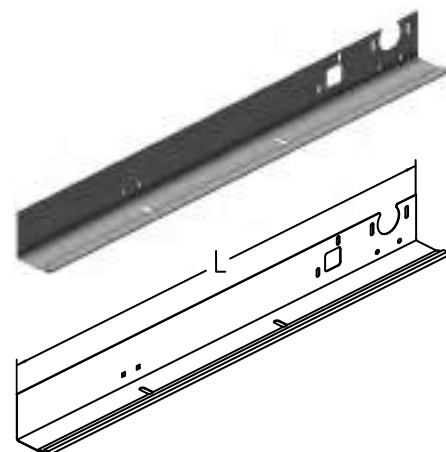
Толщина (S), мм 1,2
 Материал оцинкованная сталь
 Вес, кг/м 1,65
 Единица измерения М

Артикул	Код	Примечание	Длина, мм	Норма поставки, м	Норма поставки, шт.
PRG32NL	402010900	Левый	2295	34,43	15
			2420	36,30	
			2545	38,18	
			2670	40,05	
			2810	42,15	
			3010	45,15	
PRG32NR	402011000	Правый	2295	34,43	
			2420	36,30	
			2545	38,18	
			2670	40,05	
			2810	42,15	
			3010	45,15	
			3295	49,43	



Толщина (S), мм 1,5
 Материал оцинкованная сталь
 Вес, кг/м 2,09
 Единица измерения М

Артикул	Код	Примечание	Длина, мм	Норма поставки, м	Норма поставки, шт.
PRG02NL	402022900	Левый	2295	34,43	15
			2420	36,30	
			2545	38,18	
			2670	40,05	
			2810	42,15	
			3010	45,15	
PRG02NR	40202300	Правый	2295	34,43	
			2420	36,30	
			2545	38,18	
			2670	40,05	
			2810	42,15	
			3010	45,15	
			3295	49,43	



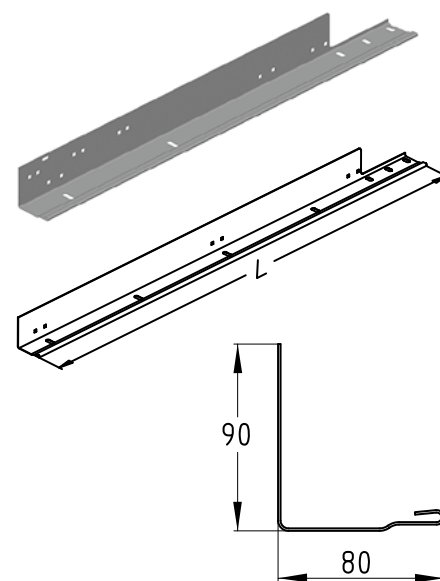
ПРОФИЛИ УГЛОВЫЕ

Профиль угловой

Предназначен для изготовления вертикальных направляющих.
Используется в гаражных воротах с пружинами растяжения.

Толщина (S), мм 1,2
 Материал оцинкованная сталь
 Вес, кг/м 1,60
 Единица измерения м

Артикул	Код	Примечание	Длина, мм	Норма поставки, м	Норма поставки, шт.
PRG02SL	402013400	Левый	2185	32,78	15
			2350	35,25	
			2435	36,53	
			2600	39,00	
			2810	42,15	
PRG02SR	402013500	Правый	3185	47,78	
			2185	32,78	
			2350	35,25	
			2435	36,53	
			2600	39,00	
			2810	42,15	
			3185	47,78	



1.1

1.2

1.3

1.4

1.5

2

3

4

ПРОФИЛИ УГЛОВЫЕ

Профиль угловой

Предназначен для изготовления вертикальных направляющих.
Используется в гаражных воротах низкого типа монтажа.

Толщина (S), мм 1,2
Материал оцинкованная сталь
Вес, кг/м 1,65
Единица измерения М

Артикул	Код	Примечание	Длина, мм	Норма поставки, м	Норма поставки, шт.
PRG32LL	402011100	Левый	2295	34,43	15
			2420	36,30	
			2545	38,18	
			2670	40,05	
			2810	42,15	
			3010	45,15	
PRG32LR	402011200	Правый	2295	34,43	
			2420	36,30	
			2545	38,18	
			2670	40,05	
			2810	42,15	
			3010	45,15	
			3295	49,43	



Толщина (S), мм 1,5
Материал оцинкованная сталь
Вес, кг/м 2,11
Единица измерения М

Артикул	Код	Примечание	Длина, мм	Норма поставки, м	Норма поставки, шт.
PRG02LL	402023100	Левый	2295	34,43	15
			2420	36,30	
			2545	38,18	
			2670	40,05	
			2810	42,15	
			3010	45,15	
PRG02LR	402022700	Правый	2295	34,43	
			2420	36,30	
			2545	38,18	
			2670	40,05	
			2810	42,15	
			3010	45,15	
			3295	49,43	

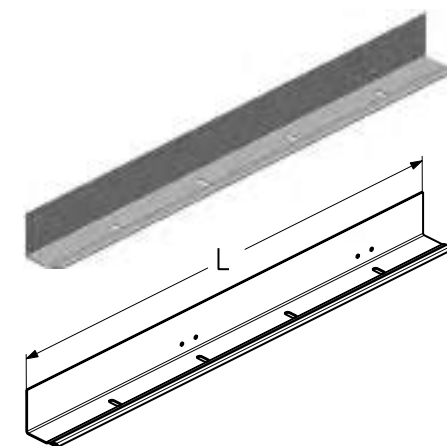


Профиль угловой

Предназначен для изготовления вертикальных направляющих.
Используется в гаражных воротах высокого типа монтажа.

Толщина (S), мм 1,5
Материал оцинкованная сталь
Вес, кг/м 2,04
Единица измерения М

Артикул	Код	Длина, мм	Норма поставки, м	Норма поставки, шт.
PRG02H	402022800	3355	100,65	30
		3855	115,65	
		4255	127,65	
		4555	136,65	
		4755	142,65	
		5500	165,00	



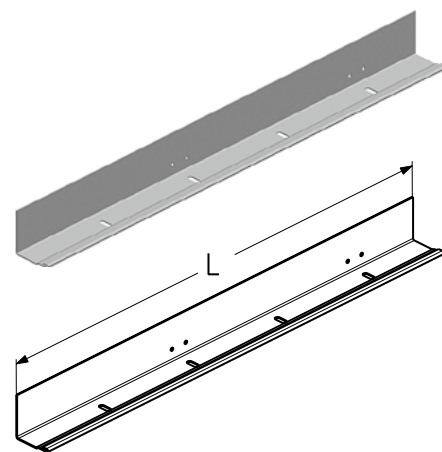
ПРОФИЛИ УГЛОВЫЕ

Профиль угловой

Предназначен для изготовления вертикальных направляющих.
Используется в промышленных воротах всех типов монтажа, кроме низкого и наклонного низкого.

Толщина (S), мм 2,0
Материал оцинкованная сталь
Вес, кг/м 2,74
Единица измерения м

Артикул	Код	Длина, мм	Норма поставки, м	Норма поставки, шт.
PRG01	402032000	3355	100,65	30
		3855	115,65	
		4255	127,65	
		4555	136,65	
		4755	142,65	
		5055	151,65	
		6000	180,00	
		6255	187,65	
	6500	390,00	60	

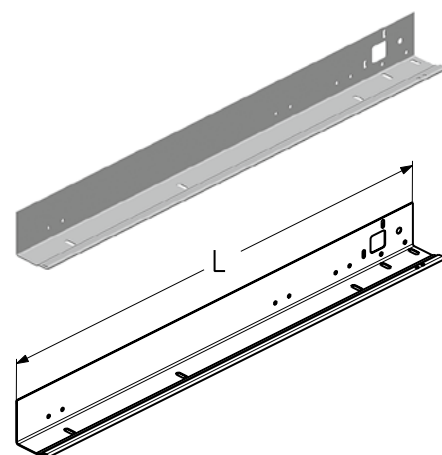


Профиль угловой

Предназначен для изготовления вертикальных направляющих.
Используется в промышленных воротах низкого типа монтажа.

Толщина (S), мм 2,0
Материал оцинкованная сталь
Вес, кг/м 2,74
Единица измерения м

Артикул	Код	Примечание	Длина, мм	Норма поставки, м	Норма поставки, шт.
PRG01LL	402032100	Левый	3355	50,33	15
			4155	62,33	
			4555	68,33	
			6000	90,00	
PRG01LR	402032200	Правый	3355	50,33	
			4125	62,33	
			4555	68,33	
			6000	90,00	

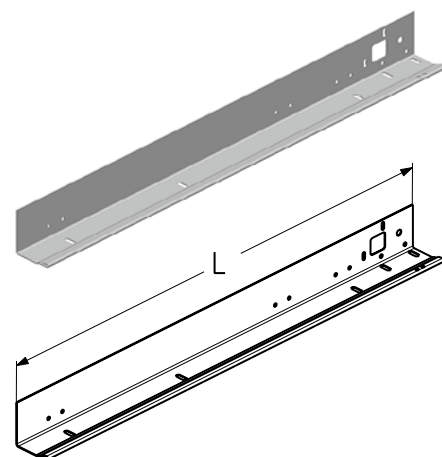


Профиль угловой

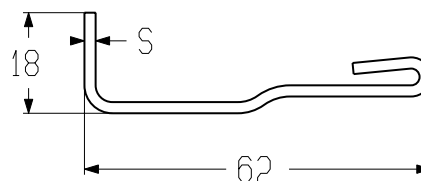
Предназначен для изготовления вертикальных направляющих.
Используется в промышленных воротах наклонного низкого типа монтажа.

Толщина (S), мм 2,0
Материал оцинкованная сталь
Вес, кг/м 2,74
Единица измерения м

Артикул	Код	Примечание	Длина, мм	Норма поставки, м	Норма поставки, шт.
PRG01LFL	402032300	Левый	3355	50,33	15
			4155	62,33	
			4555	68,33	
			6000	90,00	
PRG01LFR	402032400	Правый	3355	50,33	
			4155	62,33	
			4555	68,33	
			6000	90,00	



ПРОФИЛИ ПЕРЕДНИЕ

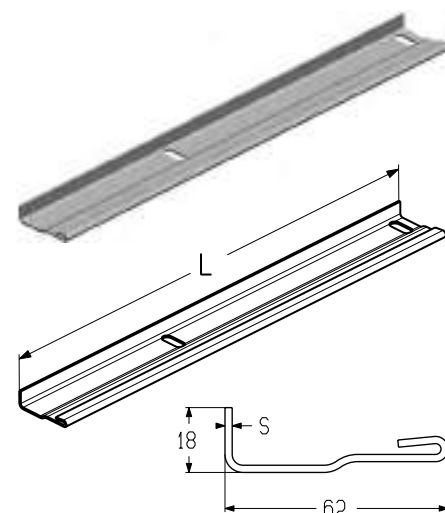


Профиль передний (нащельник)

Предназначен для соединения профилей угловых и для крепления вставки уплотнительной (IS85).
Используется:

- в гаражных воротах с пружинами растяжения;
- в гаражных воротах стандартного и низкого типов монтажа;
- в промышленных воротах низкого, низкого с передним расположением вала, низкого с передним расположением вала (тип 2) и наклонного низкого типов монтажа.

Толщина (S), мм 1,2
 Материал оцинкованная сталь
 Вес, кг/м 0,83
 Единица измерения м



Артикул	Код	Длина, мм	Норма поставки, м	Норма поставки, шт.
PRG05S	402431000	5600	336,00	60
		6860	411,60	

ВСТАВКА УПЛОТНИТЕЛЬНАЯ

**Вставка уплотнительная**

Предназначена для герметизации проема.

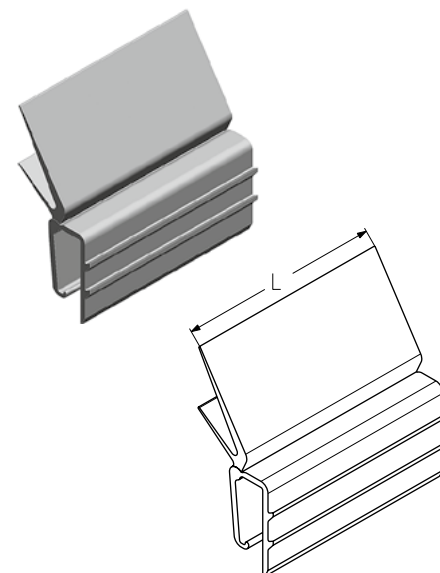
Устанавливается:

- совместно с профилем передним в гаражных воротах с пружинами растяжения;
- совместно с профилем передним в гаражных воротах стандартного и низкого типов монтажа;
- совместно с профилем передним в промышленных воротах низкого, низкого с передним расположением вала, низкого с передним расположением вала (тип 2) и наклонного низкого типов монтажа;
- совместно с профилем угловым в гаражных и промышленных воротах всех типов монтажа.

Материал PVC и TPR

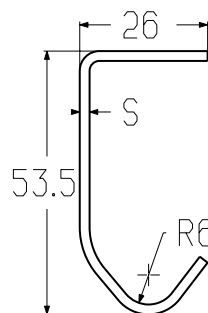
Вес, кг/м 0,20

Единица измерения м



Артикул	Код	Длина, мм	Норма поставки, м	Норма поставки, шт.
IS85-2550	401540600	2550	25,50	10
IS85-3060	401540100	3060	30,60	
IS85-3550	401540700	3550	35,50	
IS85-4100	401541200	4100	41,00	
IS85-4580	401541300	4580	45,80	
IS85-6000	401541300	6000	60,00	
IS85-7000	401540800	7000	70,00	
IS85-8000	401540900	8000	80,00	

ПРОФИЛЬ НАПРАВЛЯЮЩИЙ ГАРАЖНЫХ ВОРОТ

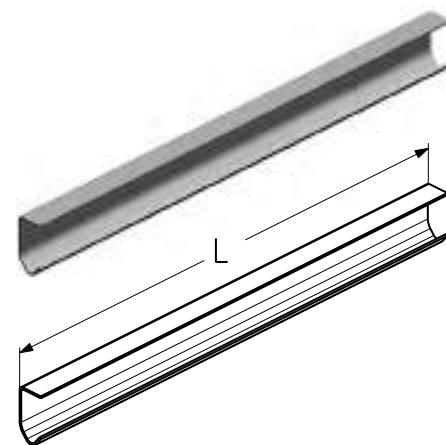


Профиль направляющий

Предназначен для создания траектории движения полотна ворот. Устанавливается совместно с профилем угловым (PRG32NL/NR, PRG02SL/SR, PRG32LL/LR).

Используется в гаражных воротах с пружинами растяжения и торсионными пружинами стандартного и низкого типов монтажа.

Толщина (S), мм 1,2
 Материал оцинкованная сталь
 Вес, кг/м 0,89
 Единица измерения м

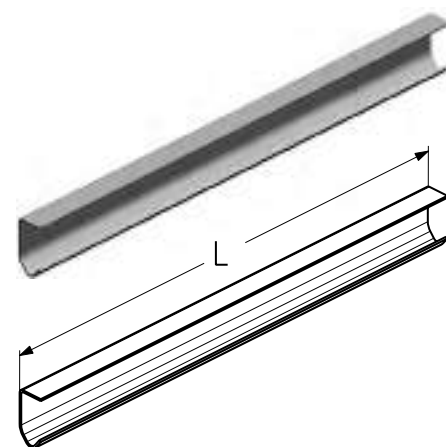


Артикул	Код	Длина, мм	Норма поставки, м	Норма поставки, шт.
PRG04S	402130000	1795	89,75	50
		1920	96,00	
		2045	102,25	
		2170	108,50	
		2295	114,75	
		2435	121,75	
		2727	136,35	
		2970	148,50	

Профиль направляющий

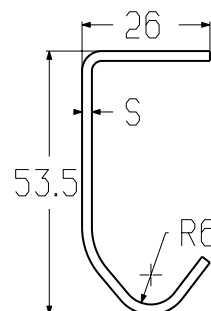
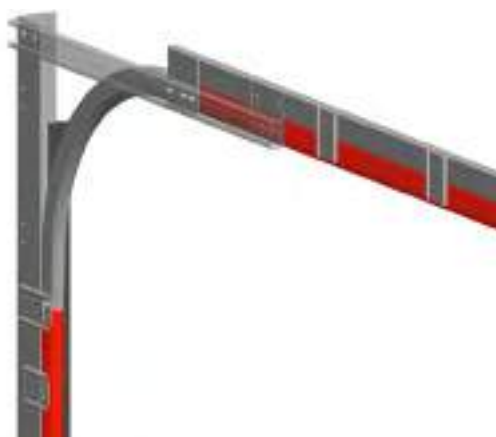
Предназначен для создания траектории движения полотна ворот. Устанавливается совместно с профилем угловым (PRG02NL/NR, PRG02LL/LR, PRG02H). Используется в гаражных воротах с торсионными пружинами всех типов монтажа.

Толщина (S), мм 1,5
 Материал оцинкованная сталь
 Вес, кг/м 1,13
 Единица измерения м



Артикул	Код	Длина, мм	Норма поставки, м	Норма поставки, шт.
PRG04	402110800	1795	89,75	50
		1920	96,00	
		2045	102,25	
		2170	108,50	
		2295	114,75	
		2435	121,75	
		2727	136,35	
		2800	140,00	
		2970	148,50	
		3500	175,00	
		4060	203,00	
		4350	217,50	
		5050	252,50	

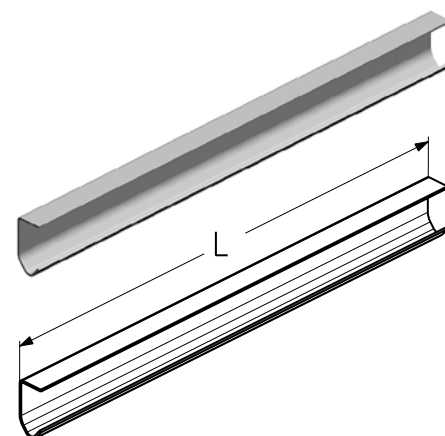
ПРОФИЛЬ НАПРАВЛЯЮЩИЙ ПРОМЫШЛЕННЫХ ВОРОТ



Профиль направляющий

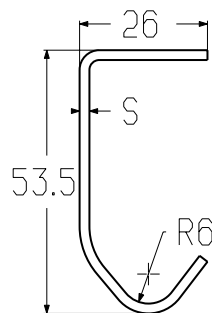
Предназначен для создания траектории движения полотна ворот. Устанавливается совместно с профилем угловым (PRG01). Используется в промышленных воротах всех типов монтажа.

Толщина (S), мм 2,0
 Материал оцинкованная сталь
 Вес, кг/м 1,44
 Единица измерения м



Артикул	Код	Длина, мм	Норма поставки, м	Норма поставки, шт.
PRG03	402120600	2800	140,00	50
		3500	175,00	
		3760	188,00	
		4060	203,00	
		4350	217,50	
		5000	250,00	
		6000	300,00	
		8000	480,00	60

ЭЛЕМЕНТ РАДИУСНЫЙ

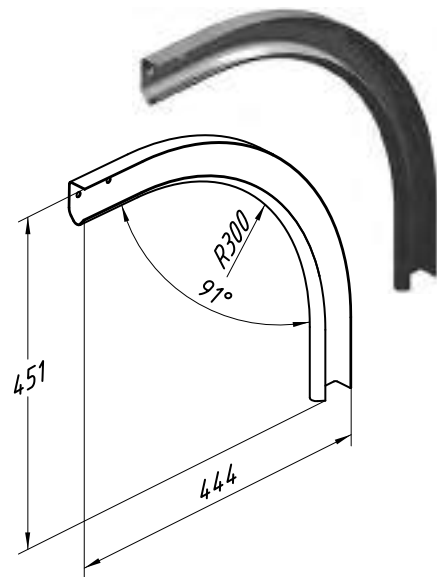


Элемент радиусный левый/правый

Предназначен для соединения вертикальной и горизонтальной направляющих.

Радиус, мм 300
 Материал оцинкованная сталь
 Единица измерения шт.
 Норма поставки, шт. 60

Артикул	Код	Толщина S, мм	Вес, кг/шт.	Примечание	Применение
RE801SL	402210000	1,2	0,61	Левый	для гаражных ворот с пружинами растяжения;
RE801SR	402210100			Правый	для гаражных ворот стандартного и низкого типов монтажа
RE801L	402220000	1,5	0,75	Левый	для гаражных ворот стандартного и низкого типов монтажа
RE801R	402220100			Правый	

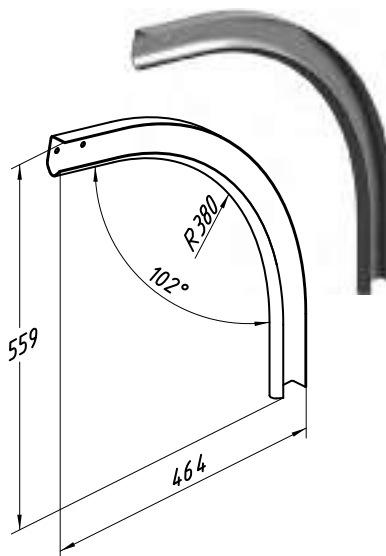


Элемент радиусный левый/правый

Предназначен для соединения вертикальной и горизонтальной направляющих.
 Используется в гаражных воротах высокого типа монтажа.

Радиус, мм 380
 Материал оцинкованная сталь
 Толщина (S), мм 1,5
 Вес, кг/шт. 0,86
 Единица измерения шт.
 Норма поставки, шт. 60

Артикул	Код	Примечание
RE701HL	402220200	Левый
RE701HR	402220300	Правый



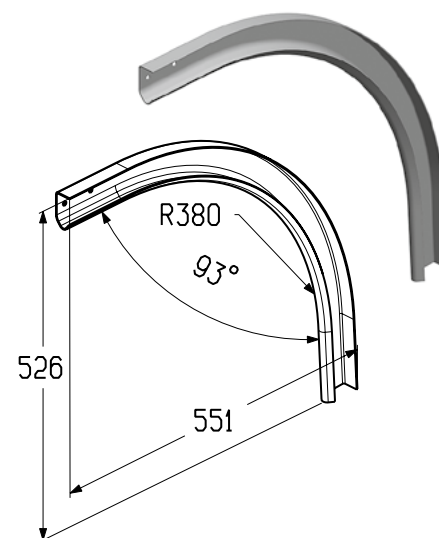
ЭЛЕМЕНТ РАДИУСНЫЙ

Элемент радиусный левый/правый

Предназначен для соединения вертикальной и горизонтальной направляющих.
Используется в промышленных воротах стандартного, высокого с верхним и нижним расположением вала, низкого с передним расположением вала, низкого с передним расположением вала (тип 2) и низкого типов монтажа.

Радиус, мм	380
Толщина (S), мм	2,0
Материал	оцинкованная сталь
Вес, кг/шт.	1,27
Единица измерения	шт.
Норма поставки, шт.	60

Артикул	Код	Примечание
RE101L	402230000	Левый
RE101R	402230100	Правый

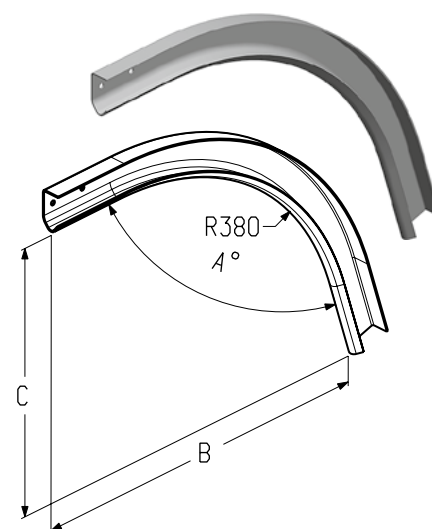


Элемент радиусный левый/правый

Предназначен для соединения вертикальной и горизонтальной направляющих.
Используется в промышленных воротах наклонного, наклонного высокого с верхним и нижним расположением вала, наклонного низкого типов монтажа.

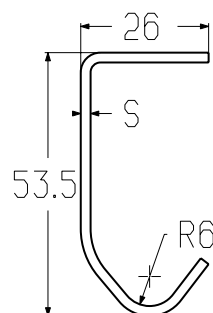
Радиус, мм	380
Толщина (S), мм	2,0
Материал	оцинкованная сталь
Единица измерения	шт.
Норма поставки, шт.	60

Артикул	Код	Основные размеры			Угол наклона,* град	Вес, кг/шт.	Примечание
		А, град.	В, мм	С, мм			
RE101FL-5	402230200	97	445	5	1,22	Левый	
RE101FR-5	402230300					Правый	
RE101FL-10	402230400	102	411	10	1,16	Левый	
RE101FR-10	402230500					Правый	
RE101FL-15	402230600	107	376	15	1,11	Левый	
RE101FR-15	402230700					Правый	
RE101FL-20	402230800	112	342	20	1,06	Левый	
RE101FR-20	402230900					Правый	
RE101FL-25	402231000	117	307	25	1,06	Левый	
RE101FR-25	402231100					Правый	
RE101FL-30	402231200	122	274	30	0,96	Левый	
RE101FR-30	402231300					Правый	
RE101FL-35	402231400	128	260	35	1,00	Левый	
RE101FR-35	402231500					Правый	
RE101FL-40	402231600	133	245	40	1,02	Левый	
RE101FR-40	402231700					Правый	
RE101FL-45	402231800	138	210	230	1,01	Левый	
RE101FR-45	402231900					Правый	



* Угол наклона горизонтальной направляющей.

УЗЕЛ НАПРАВЛЯЮЩИЙ ПЕРЕДНИЙ



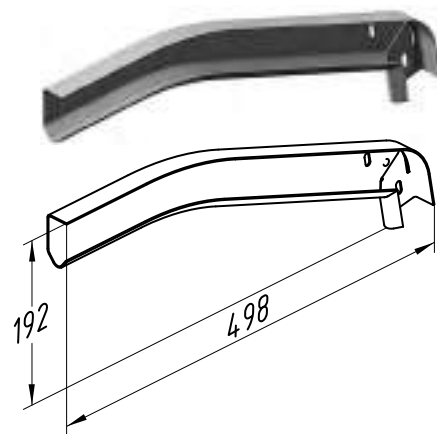
Узел направляющий передний левый/правый

Предназначен для создания траектории движения верхней панели полотна ворот совместно с профилем направляющим (PRG04, PRG04S).

Используется в гаражных воротах стандартного типа монтажа.

Материал оцинкованная сталь
Единица измерения шт.
Норма поставки, шт. 60

Артикул	Код	Толщина (S), мм	Вес, кг/шт.	Применение
S340NL	402310200	1,2	0,47	Левый
S340NR	402310300			Правый
S840NL	402320000	1,5	0,60	Левый
S840NR	402320100			Правый

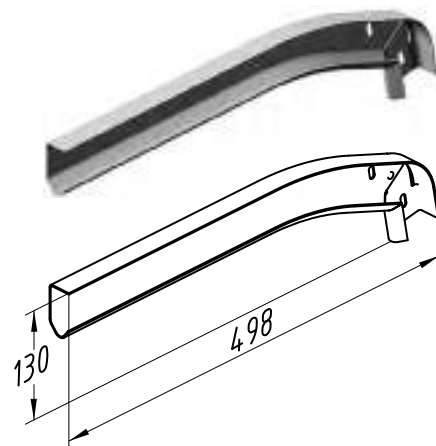


Узел направляющий передний левый/правый

Предназначен для создания траектории движения верхней панели полотна ворот совместно с профилем направляющим (PRG04, PRG04S).

Материал оцинкованная сталь
Единица измерения шт.
Норма поставки, шт. 60

Артикул	Код	Толщина (S), мм	Вес, кг/шт.	Примечание	Применение
S940SL	402310000	1,2	0,47	Левый	• для гаражных ворот с пружинами растяжения; • для гаражных ворот низкого типа монтажа
S940SR	402310100			Правый	
S940LL	402320200	1,5	0,60	Левый	для гаражных ворот низкого типа монтажа
S940LR	402320300			Правый	



УЗЕЛ НАПРАВЛЯЮЩИЙ ПЕРЕДНИЙ

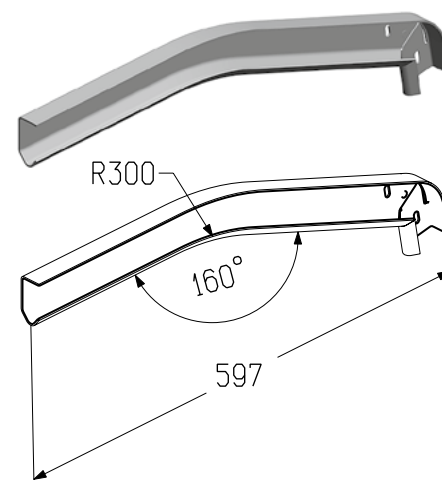
Узел направляющий передний левый/правый

Предназначен для создания траектории движения верхней панели полотна ворот совместно с профилем направляющим (PRG03).

Используется в промышленных воротах низкого типа монтажа.

Толщина (S), мм	2,0
Материал	оцинкованная сталь
Вес, кг/шт.	0,88
Единица измерения	шт.
Норма поставки, шт.	60

Артикул	Код	Примечание
S140LL	402330000	Левый
S140LR	402330100	Правый



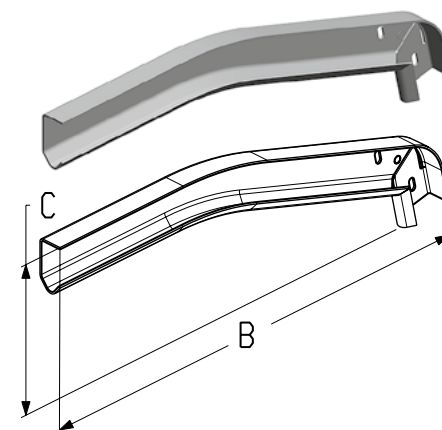
Узел направляющий передний левый/правый

Предназначен для создания траектории движения верхней панели полотна ворот совместно с профилем направляющим (PRG03).

Используется в промышленных воротах наклонного низкого, низкого с передним расположением вала и низкого с передним расположением вала (тип 2) типах монтажа (S-160LNL, S-160LNR).

Толщина (S), мм	2,0
Материал	оцинкованная сталь
Единица измерения	шт.
Норма поставки, шт.	60

Артикул	Код	Основные размеры		Угол наклона,* град	Вес, кг/шт.	Примечание
		В, мм	С, мм			
S140LFL-5	402330200	559	237	5	0,87	Левый
S140LFR-5	402330300					Правый
S140LFL-10	402330400	543	201	10	0,81	Левый
S140LFR-10	402330500					Правый
S140LFL-15	402330600	506	168	15	0,76	Левый
S140LFR-15	402330700					Правый
S140LFL-20	402330800	473	139	20	0,71	Левый
S140LFR-20	402330900					Правый
S140LFL-25	402331000	441	111	25	0,69	Левый
S140LFR-25	402331100					Правый
S140LFL-30	402331200	409	86	30	0,65	Левый
S140LFR-30	402331300					Правый
S140LFL-35	402331600	427	86	35	0,65	Левый
S140LFR-35	402331700					Правый
S140LFL-40	402331800	427	86	40	0,65	Левый
S140LFR-40	402331900					Правый
S140LFL-45	402332000	407	86	45	0,62	Левый
S140LFR-45	402332100					Правый
S-160LNL	402332300	636	137	20	0,94	Левый
S-160LNR	402332200					Правый



* Угол наклона горизонтальной направляющей.

ПРОФИЛИ НАПРАВЛЯЮЩИЕ

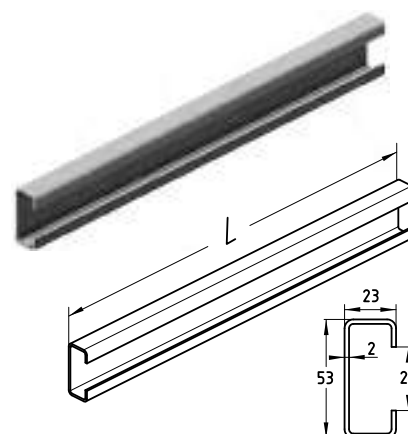


С-профиль

Предназначен для:

- изготовления мерной планки в промышленных воротах всех типов монтажа, кроме низкого и наклонного низкого.
- усиления горизонтальной направляющей в гаражных воротах высокого типа монтажа и промышленных воротах всех типов монтажа, кроме низкого и наклонного низкого.
- соединения профиля углового и профиля направляющего в промышленных воротах вертикального типа монтажа с верхним расположением вала.

Толщина, мм 2,0
 Материал оцинкованная сталь
 Вес, кг/м 1,74
 Единица измерения м



Артикул	Код	Длина (L), мм	Норма поставки, м	Норма поставки, шт.
PRG07N	402421600	3040	152,00	50
		3240	162,00	
		3540	177,00	
		4040	202,00	
		4540	227,00	
		5106	255,30	
		5600	280,00	
		6000	300,00	
		6860	343,00	
		10040	301,20	30

С-ПРОФИЛЬ (МЕРНОЙ ПЛАНКИ)

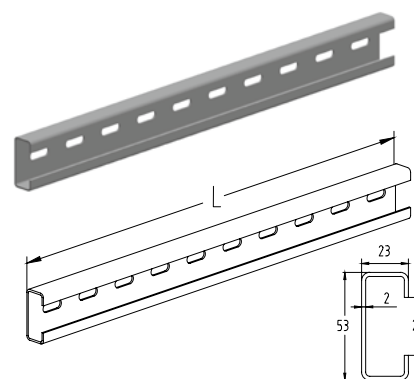


С-профиль

Перфорированный, предназначен для изготовления мерной планки.
Используется в промышленных воротах низкого и наклонного низкого типов монтажа.

Толщина, мм 2,0
Материал оцинкованная сталь
Вес, кг/м 1,67
Единица измерения м

Артикул	Код	Длина (L), мм	Норма поставки, м	Норма поставки, шт.
PRG07	402421500	6000	300	50



1.1

1.2

1.3

1.4

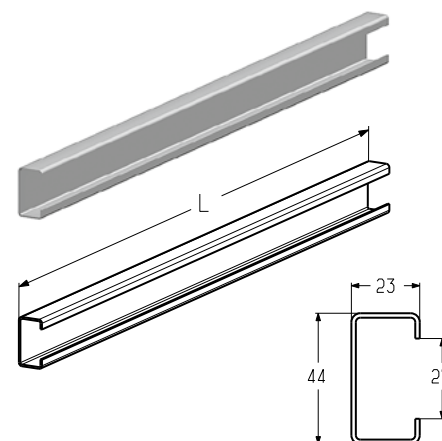
1.5

С-профиль

Предназначен для изготовления мерной планки.
Используется в гаражных воротах с пружинами растяжения и торсионными пружинами всех типов монтажа.

Толщина, мм 1,5
Материал оцинкованная сталь
Вес, кг/м 1,13
Единица измерения м

Артикул	Код	Длина (L), мм	Норма поставки, м	Норма поставки, шт.
PRG-33	402480300	5600	280	50
		6860	343	

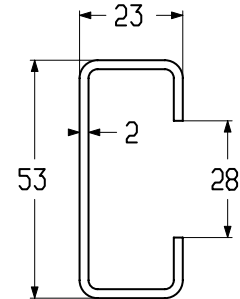


2

3

4

УЗЕЛ ПЕРЕДНИЙ

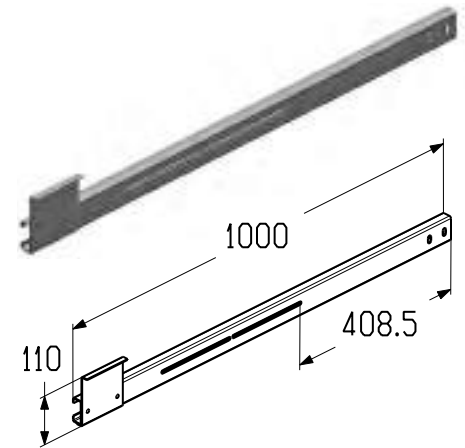


Узел передний левый/правый

Предназначен для соединения профиля углового с горизонтальной направляющей.
Используется:

- в гаражных воротах высокого типа монтажа;
- в промышленных воротах стандартного и высокого с верхним и нижним расположением вала типов монтажа.

Материал оцинкованная сталь
Вес, кг/шт. 1,89
Единица измерения шт.
Норма поставки, шт. 100



Артикул	Код	Примечание
S-171L	402500300	Левый
S-171R	402500400	Правый

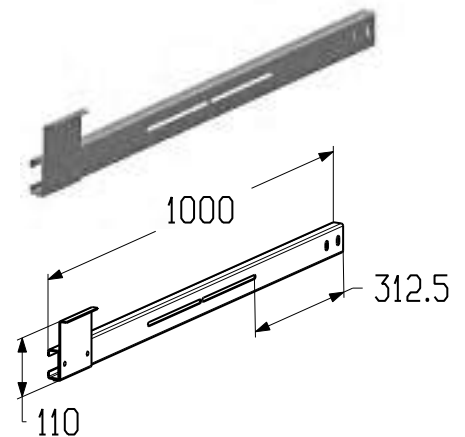
Узел передний левый/правый

Предназначен для соединения профиля углового с горизонтальной направляющей.

Используется в промышленных воротах следующих типов монтажа:

- наклонного,
- наклонного высокого с верхним и нижним расположением вала,
- высокого с верхним и нижним расположением вала.

Материал оцинкованная сталь
Вес, кг/шт. 1,84
Единица измерения шт.
Норма поставки, шт. 100



Артикул	Код	Примечание
S-172L	402500500	Левый
S-172R	402500600	Правый

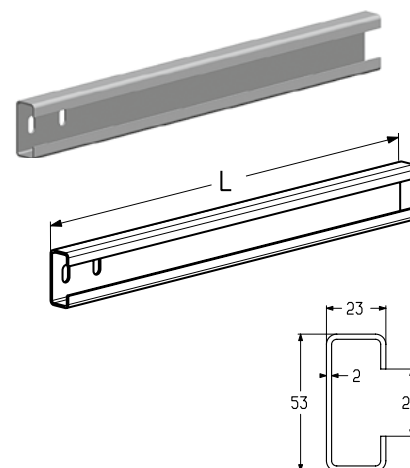
КРОНШТЕЙН СОЕДИНИТЕЛЬНЫЙ

**Кронштейн соединительный**

Предназначен для соединения профиля углового и профиля направляющего.
Используется в промышленных воротах вертикального типа монтажа с верхним расположением вала.

Материал оцинкованная сталь
Единица измерения шт.
Норма поставки, шт. 100

Артикул	Код	Длина (L), мм	Вес, кг/шт.
СВ132-450	402600000	450	0,75
СВ132-500	402600100	500	0,83



1.1

1.2

1.3

1.4

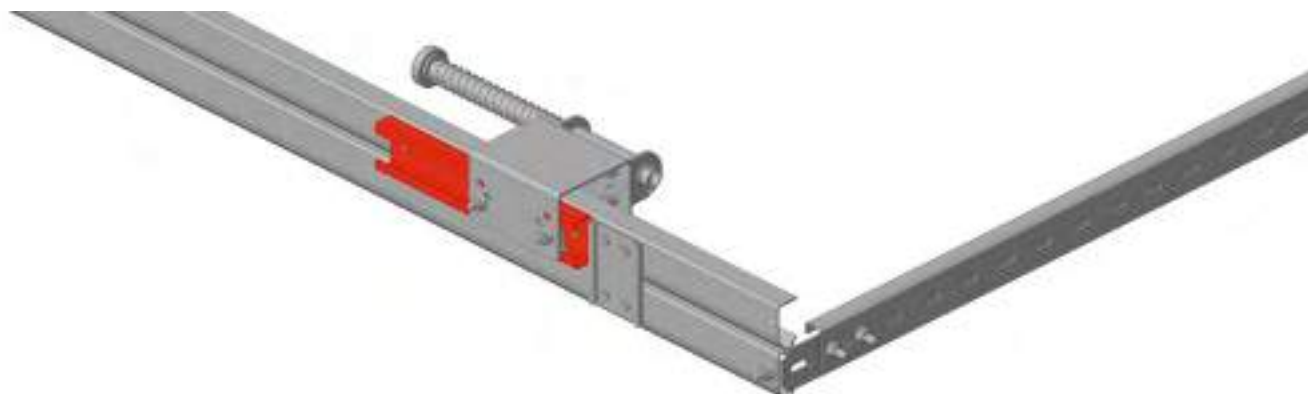
1.5

2

3

4

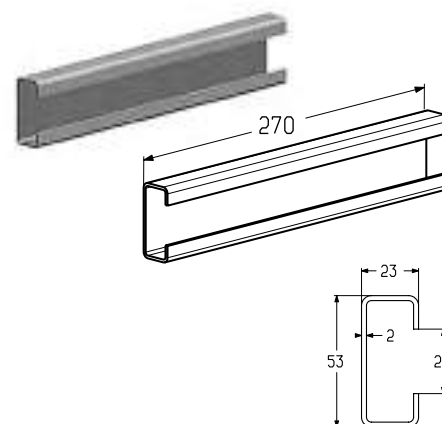
КРОНШТЕЙН



Кронштейн

Предназначен для установки демпферов.
Используется в промышленных воротах вертикального типа монтажа с верхним и нижним расположением вала, низкого и наклонного низкого типов монтажа.

Материал оцинкованная сталь
Вес, кг/шт. 0,29
Единица измерения шт.
Норма поставки, шт. 50



Артикул	Код
V134	402600200

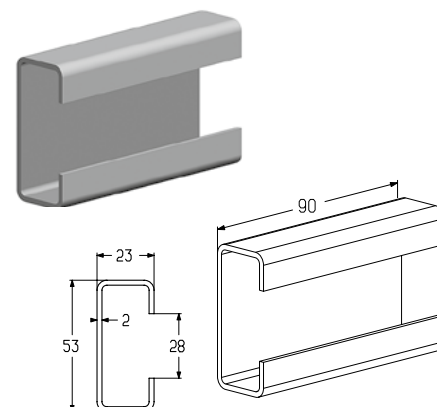
КРОНШТЕЙН

**Кронштейн**

Предназначен для установки кронштейна (TP-550).

Используется в промышленных воротах высокого, вертикального, наклонного высокого типов монтажа с нижним расположением вала.

Материал оцинкованная сталь
 Вес, кг/шт. 0,15
 Единица измерения шт.
 Норма поставки, шт. 150



Артикул	Код
V133	402600300

1.1

1.2

1.3

1.4

1.5

2

3

4

ПРОФИЛЬ НЕСУЩИЙ

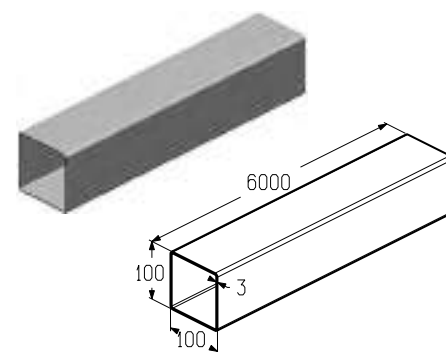


Профиль несущий

Предназначен для установки торсионного вала.

Используется в промышленных воротах высокого, вертикального, наклонного высокого типов монтажа с нижним расположением вала.

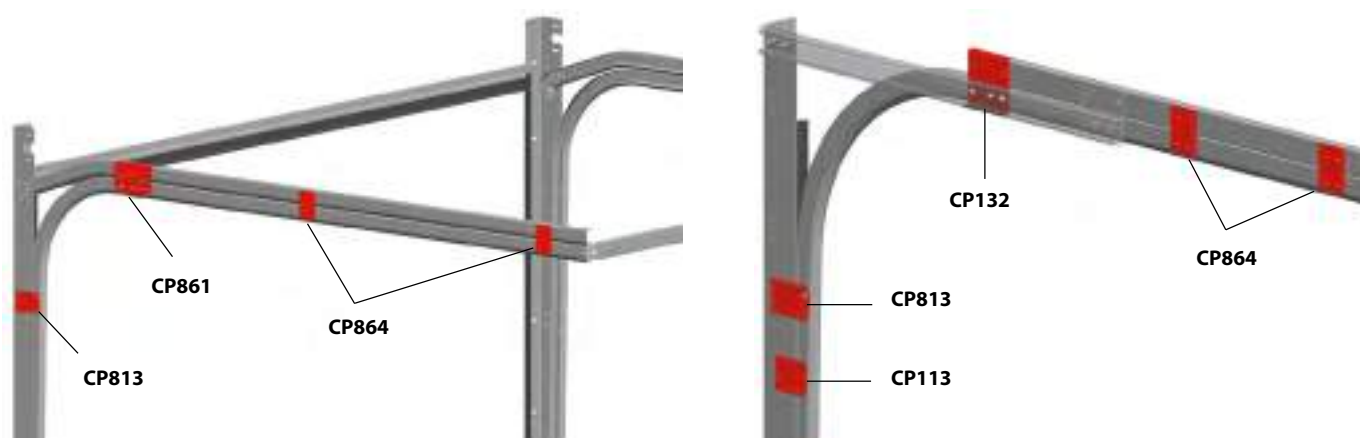
Материал оцинкованная сталь
 Вес, кг/м 9,00
 Единица измерения м



Артикул	Код	Норма поставки, м	Норма поставки, шт.
T-100-6000	402440000	54	9

КРОНШТЕЙНЫ И ПЛАСТИНЫ СОЕДИНИТЕЛЬНЫЕ

УСТАНОВКА ПЛАСТИН СОЕДИНИТЕЛЬНЫХ



Пластина соединительная

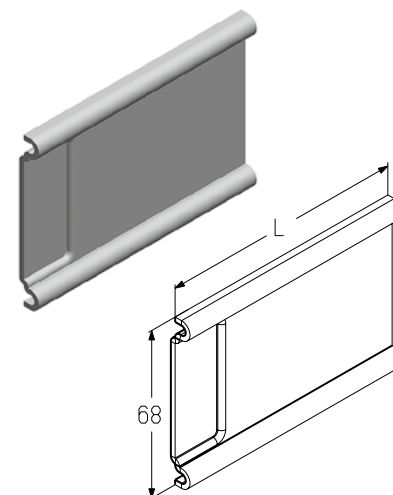
Предназначена для соединения профиля углового с профилем направляющим (вертикальным).

Используется:

- в гаражных воротах высокого типа монтажа;
- в промышленных воротах всех типов монтажа.

Материал оцинкованная сталь
Единица измерения шт.

Артикул	Код	Длина (L), мм	Вес, кг/шт.	Норма поставки, шт.
CP113-80	402810100	80	0,10	200
CP113-100	402810200	100	0,12	200
CP113-120	402810300	120	0,14	170
CP113-130	402810400	130	0,16	120
CP113-150	402810500	150	0,18	120
CP113-180	402810600	180	0,22	110



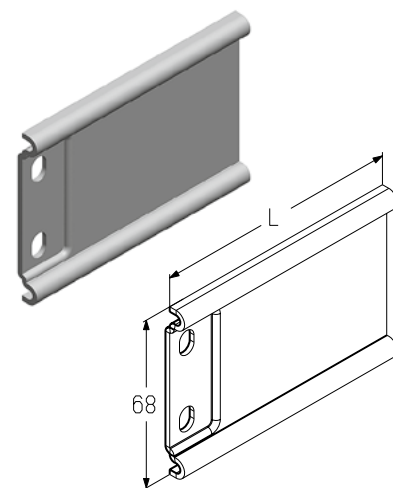
Пластина соединительная

Предназначена для соединения профиля углового с профилем направляющим (вертикальным).

Используется в гаражных воротах с пружинами растяжения и торсионными пружинами, промышленных воротах всех типов монтажа.

Материал оцинкованная сталь
Единица измерения шт.

Артикул	Код	Длина (L), мм	Вес, кг/шт.	Норма поставки, шт.
CP813-100	402810700	100	0,12	220
CP813-120	402810800	120	0,14	170
CP813-150	402810900	150	0,18	120
CP813-180	402811000	180	0,21	110



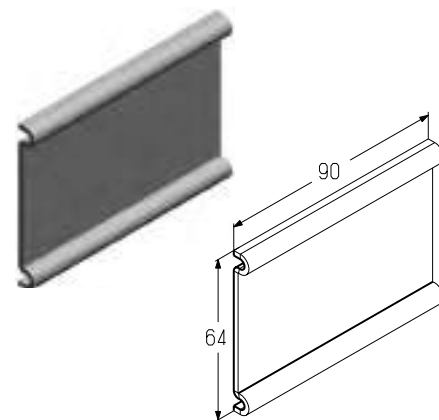
КРОНШТЕЙНЫ И ПЛАСТИНЫ СОЕДИНИТЕЛЬНЫЕ

Пластина соединительная

Предназначена для соединения горизонтальных направляющих.
Используется в гаражных воротах с пружинами растяжения и торсионными пружинами, промышленных воротах всех типов монтажа.

Материал оцинкованная сталь
Вес, кг/шт. 0,11
Единица измерения шт.
Норма поставки, шт. 170

Артикул	Код
CP864	402811200



Пластина соединительная передняя

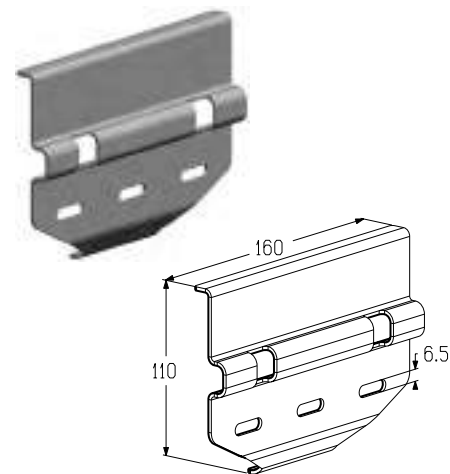
Предназначена для соединения горизонтальной направляющей с элементом радиусным и узлом направляющим передним.

Используется:

- в гаражных воротах с пружинами растяжения;
- в гаражных воротах стандартного и низкого типов монтажа;
- в промышленных воротах низкого, низкого с передним расположением вала, низкого с передним расположением вала (тип 2) и наклонного низкого типов монтажа.

Материал оцинкованная сталь
Вес, кг/шт. 0,29
Единица измерения шт.
Норма поставки, шт. 80

Артикул	Код
CP861	402811100



Пластина соединительная передняя

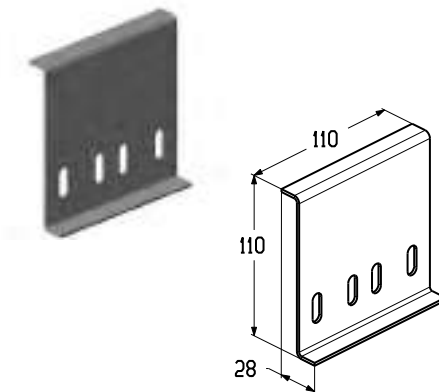
Предназначена для соединения горизонтальной направляющей с элементом радиусным и узлом направляющим передним.

Используется:

- в промышленных воротах всех типов монтажа (кроме низких и вертикальных);
- в гаражных воротах высокого типа монтажа.

Материал оцинкованная сталь
Вес, кг/шт. 0,22
Единица измерения шт.
Норма поставки, шт. 100

Артикул	Код
CP-133	402811900



КРОНШТЕЙНЫ И ПЛАСТИНЫ СОЕДИНИТЕЛЬНЫЕ

УСТАНОВКА КРОНШТЕЙНА

**Кронштейн левый/правый**

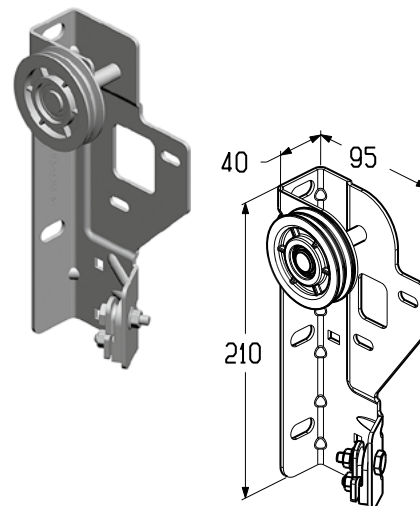
Предназначен:

- для крепления узла направляющего переднего;
- для крепления троса.

Используется в гаражных воротах с пружинами растяжения.

Материал оцинкованная сталь
 Вес, кг/шт. 0,57
 Единица измерения шт.
 Норма поставки, шт. 24

Артикул	Код	Примечание
B180SL	402630100	Левый
B180SR	402630200	Правый



1.1

1.2

1.3

1.4

1.5

2

3

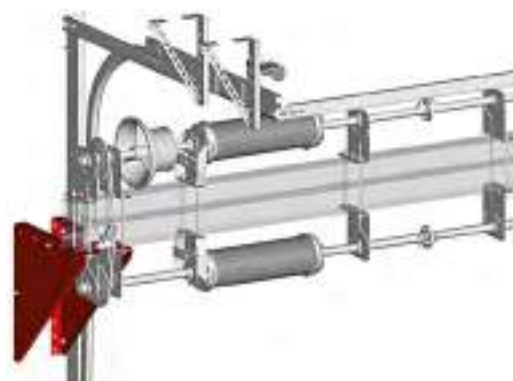
4

КРОНШТЕЙНЫ И ПЛАСТИНЫ СОЕДИНИТЕЛЬНЫЕ

УСТАНОВКА КРОНШТЕЙНА И ПЛАСТИНЫ



Одновальная система балансировки



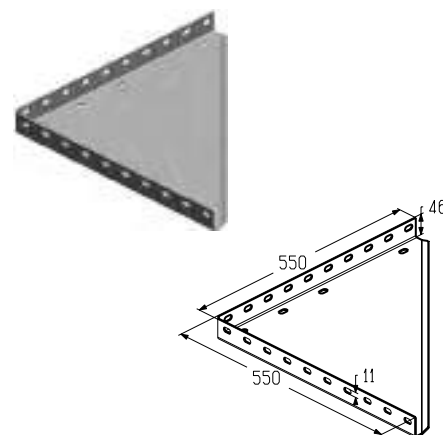
Двухвальная система балансировки

Кронштейн

Предназначен для установки профиля несущего.

Используется в промышленных воротах высокого, вертикального, наклонного высокого типов монтажа с нижним расположением вала с одновальной и двухвальной системами балансировки.

Материал оцинкованная сталь
 Вес, кг/шт. 4,82
 Единица измерения шт.
 Норма поставки, шт. 4



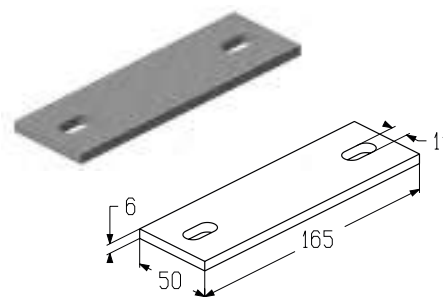
Артикул	Код
TP-550	402620000

Пластина

Предназначена для фиксации элементов торсионного вала.

Используется в промышленных воротах высокого, вертикального, наклонного высокого типов монтажа с нижним расположением вала с одновальной системой балансировки.

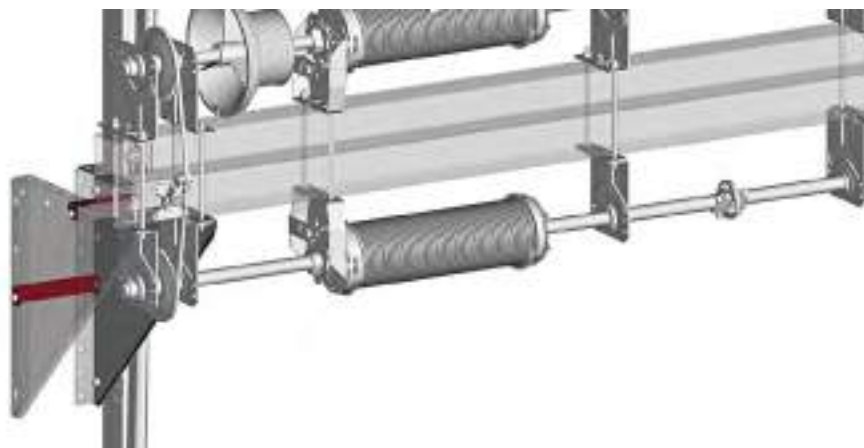
Материал оцинкованная сталь
 Вес, кг/шт. 0,36
 Единица измерения шт.
 Норма поставки, шт. 50



Артикул	Код
MS-550N	405000042

КРОНШТЕЙНЫ И ПЛАСТИНЫ СОЕДИНИТЕЛЬНЫЕ

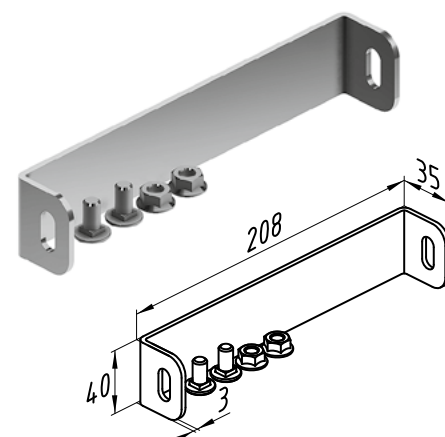
УСТАНОВКА КРОНШТЕЙНА

**Кронштейн**

Предназначен для крепления кронштейнов (TP-550) между собой.

Используется в промышленных воротах высокого, вертикального, наклонного высокого типов монтажа с нижним расположением вала с двухвальной системой балансировки.

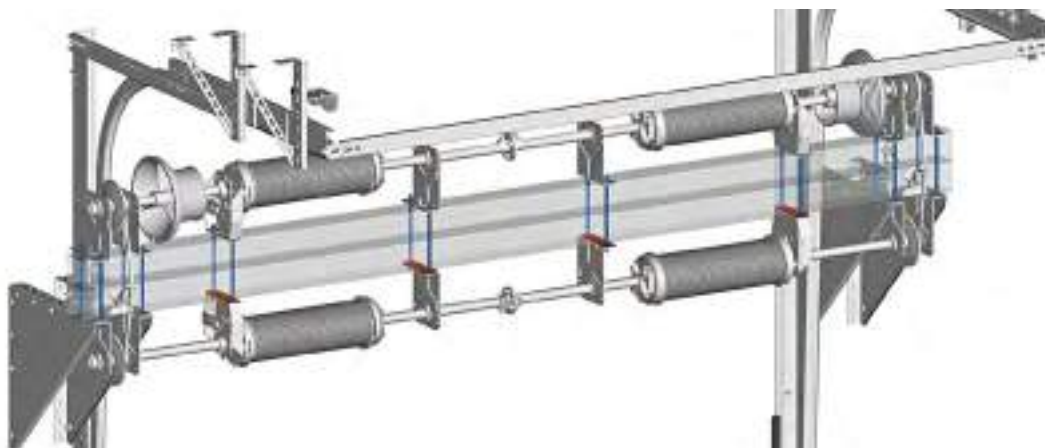
Материал оцинкованная сталь
 Вес, кг/шт. 0,28
 Единица измерения шт.
 Норма поставки, шт. 72



Артикул	Код
TSS4012	403901900

КРОНШТЕЙНЫ И ПЛАСТИНЫ СОЕДИНИТЕЛЬНЫЕ

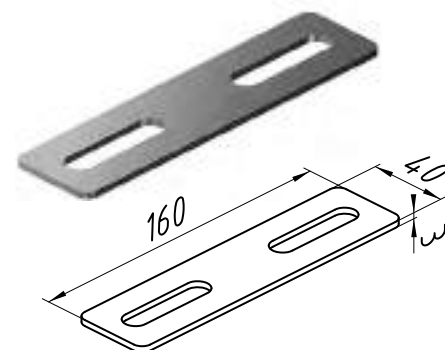
УСТАНОВКА ПЛАСТИНЫ И КОМПЛЕКТА КРЕПЕЖНОГО



Пластина

Предназначена для фиксации элементов торсионного вала.
Используется в промышленных воротах высокого, вертикального, наклонного высокого типов монтажа с нижним расположением вала с двухвальной системой балансировки.

Материал оцинкованная сталь
Вес, кг/шт. 0,13
Единица измерения шт.
Норма поставки, шт. 150

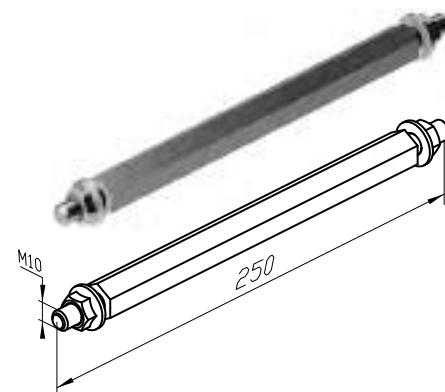


Артикул	Код
TSS4014	403902200

Комплект крепежный

Предназначен для фиксации элементов торсионного вала.
Используется в промышленных воротах высокого, вертикального, наклонного высокого типов монтажа с нижним расположением вала с двухвальной системой балансировки.

Материал оцинкованная сталь
Вес, кг/шт. 0,14
Единица измерения шт.
Норма поставки, шт. 150

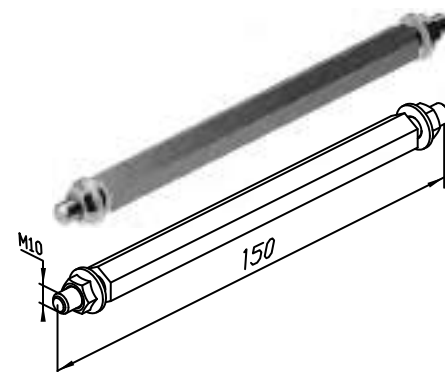


Артикул	Код
TSS4013	403902100

Комплект крепежный

Предназначен для фиксации элементов торсионного вала.
Используется в промышленных воротах высокого, вертикального, наклонного высокого типов монтажа с нижним расположением вала с одновальной системой балансировки.

Материал оцинкованная сталь
Вес, кг/шт. 0,23
Единица измерения шт.
Норма поставки, шт. 1



Артикул	Код
OSS4013	419410103

КРОНШТЕЙНЫ И ПЛАСТИНЫ СОЕДИНИТЕЛЬНЫЕ

УСТАНОВКА КРОНШТЕЙНА

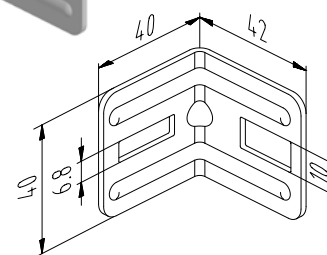
**Кронштейн**

Предназначен:

- для крепления профиля углового к стене;
- для крепления профиля монтажного (PRG09) и С-профиля (PRG06) к потолку.

Используется в гаражных воротах с пружинами растяжения и торсионными пружинами, промышленных воротах всех типов монтажа.

Материал Оцинкованная сталь
 Вес, кг/шт. 0,05
 Единица измерения шт.
 Норма поставки, шт. 280



Артикул	Код
В0310	406136859

1.1

1.2

1.3

1.4

1.5

2

3

4

КРОНШТЕЙНЫ И ПЛАСТИНЫ СОЕДИНИТЕЛЬНЫЕ

УСТАНОВКА КРОНШТЕЙНА



B-3501

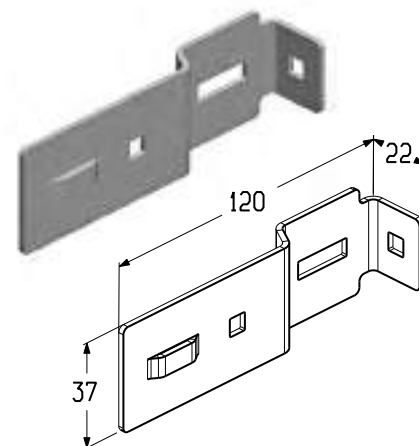


B802

Кронштейн мерной планки

Предназначен для соединения профиля направляющего (PRD04, PRG04S) с С-профилем (PRG-33).
Используется в гаражных воротах с пружинами растяжения и торсионными пружинами всех типов монтажа.

Материал оцинкованная сталь
Вес, кг/шт. 0,07
Единица измерения шт.
Норма поставки, шт. 200

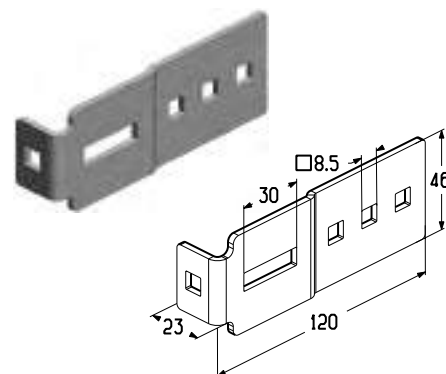


Артикул	Код
B-3501	402600700

Кронштейн мерной планки

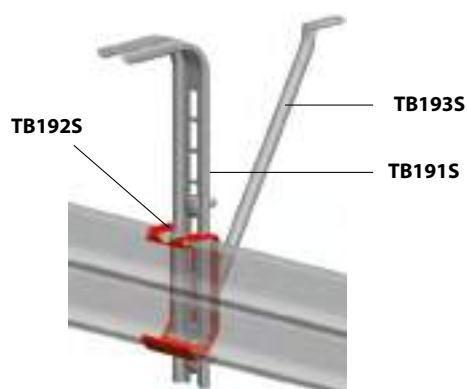
Предназначен для соединения профиля направляющего (горизонтального) с С-профилем (PRG07, PRG07N).
Используется в промышленных воротах всех типов монтажа.

Материал оцинкованная сталь
Вес, кг/шт. 0,10
Единица измерения шт.
Норма поставки, шт. 220



Артикул	Код
B802	402620100

СИСТЕМА ТЕЛЕСКОПИЧЕСКОГО ПОДВЕСА



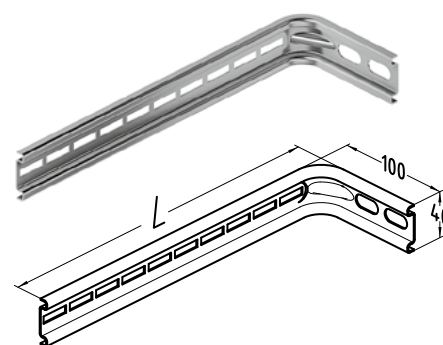
Стандартный тип монтажа

Подвес

Предназначен для изготовления системы телескопического подвеса. Используется в гаражных воротах с пружинами растяжения и торсионными пружинами стандартного и низкого типов монтажа.

Материал оцинкованная сталь
Единица измерения шт.

Артикул	Код	Длина, мм	Вес, кг/шт.	Норма поставки, шт.
TB191S-300	402811500	300	0,19	300
TB191S-500	402811600	500	0,28	200
TB191S-800	402811700	800	0,41	120
TB191S-1000	402811800	1000	0,51	100

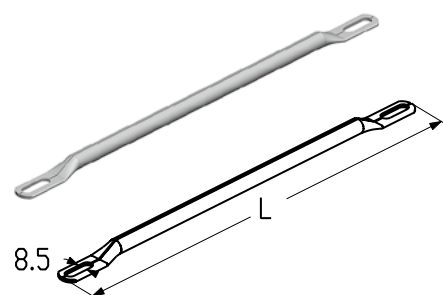


Раскос

Предназначен для изготовления системы телескопического подвеса. Используется в гаражных воротах с пружинами растяжения и торсионными пружинами стандартного и низкого типов монтажа.

Материал оцинкованная сталь
Единица измерения шт.
Норма поставки, шт. 400

Артикул	Код	Длина, мм	Вес, кг/шт.
TB193S-330	402910600	330	0,08
TB193S-680	402910700	680	0,19
TB193S-910	402910800	910	0,26

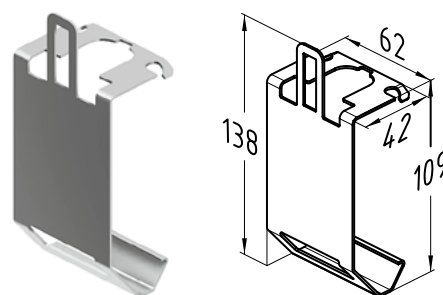


Кронштейн

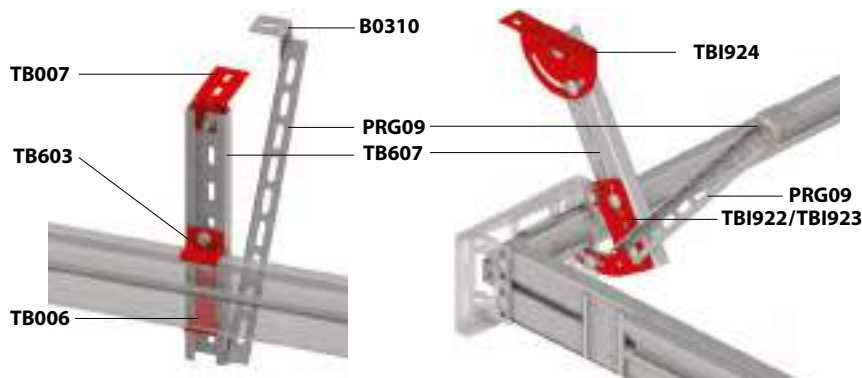
Предназначен для изготовления системы телескопического подвеса. Используется в гаражных воротах с пружинами растяжения и торсионными пружинами стандартного типа монтажа.

Материал оцинкованная сталь
Вес, кг/шт. 0,08
Единица измерения шт.
Норма поставки, шт. 400

Артикул	Код
TB192S	402610700

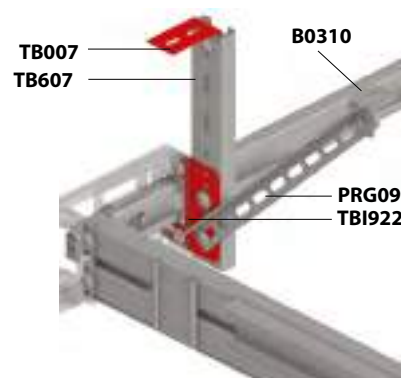


СИСТЕМА ТЕЛЕСКОПИЧЕСКОГО ПОДВЕСА



Подвес горизонтальных направляющих

Подвес мерной планки для наклонного низкого монтажа



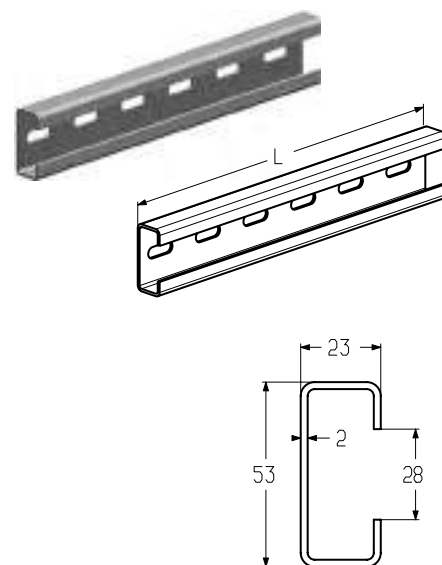
Подвес мерной планки для низкого монтажа

Кронштейн подвеса

Предназначен для изготовления системы телескопического подвеса. Используется в промышленных воротах всех типов монтажа.

Материал оцинкованная сталь
Единица измерения шт.
Норма поставки, шт. 100

Артикул	Код	Длина (L), мм	Вес, кг/шт.
ТВ607-300	402610000	300	0,48
ТВ607-500	402610100	500	0,80
ТВ607-800	402610200	800	1,28
ТВ607-1000	402610300	1000	1,60
ТВ607-1500	402610400	1500	2,40

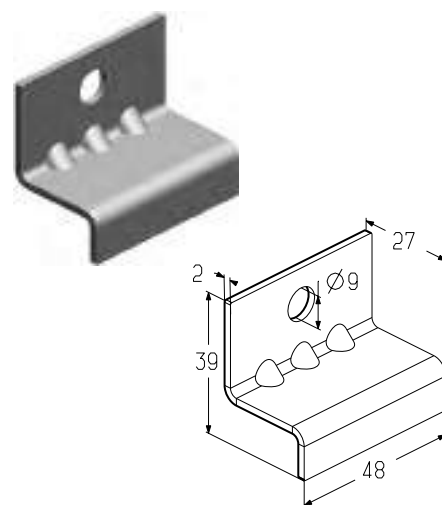


Кронштейн монтажный

Предназначен для подвеса горизонтальных направляющих. Устанавливается совместно с кронштейном (ТВ006). Используется в промышленных воротах низкого и наклонного низкого типов монтажа.

Материал оцинкованная сталь
Вес, кг/шт. 0,04
Единица измерения шт.
Норма поставки, шт. 500

Артикул	Код
ТВ603	402620200



СИСТЕМА ТЕЛЕСКОПИЧЕСКОГО ПОДВЕСА

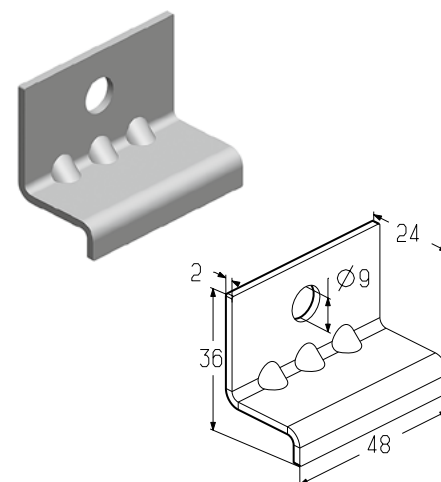
Кронштейн монтажный

Предназначен для подвеса горизонтальных направляющих.

Устанавливается совместно с кронштейном (ТВ006):

- в гаражных воротах высокого типа монтажа;
- в промышленных воротах всех типов монтажа, кроме низкого и наклонного низкого.

Материал оцинкованная сталь
 Вес, кг/шт. 0,04
 Единица измерения шт.
 Норма поставки, шт. 500

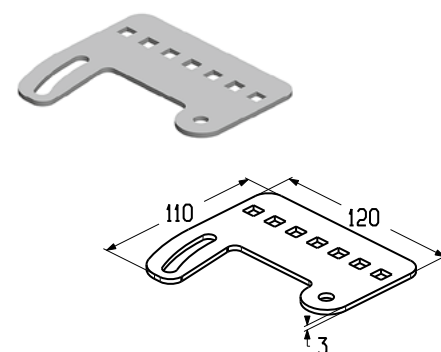


Артикул	Код
ТВ604	402620300

Пластина

Предназначена для подвеса мерной планки. Устанавливается совместно с кронштейном (ТВ607).
 Используется в промышленных воротах низкого и наклонного низкого типов монтажа с наклоном горизонтальных направляющих до 20°.

Материал оцинкованная сталь
 Вес, кг/шт. 0,18
 Единица измерения шт.
 Норма поставки, шт. 140

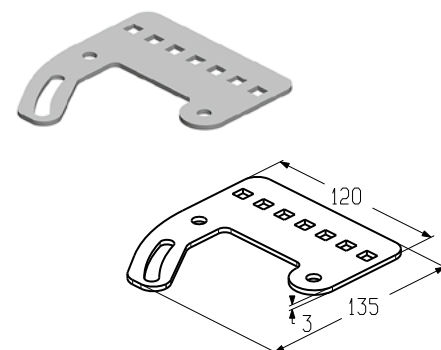


Артикул	Код
ТВ1922	403490300

Пластина

Предназначена для подвеса мерной планки. Устанавливается совместно с кронштейном (ТВ607).
 Используется в промышленных воротах наклонного низкого типа монтажа с наклоном горизонтальных направляющих 25–45°.

Материал оцинкованная сталь
 Вес, кг/шт. 0,20
 Единица измерения шт.
 Норма поставки, шт. 45



Артикул	Код
ТВ1923	403490400

СИСТЕМА ТЕЛЕСКОПИЧЕСКОГО ПОДВЕСА

Кронштейн

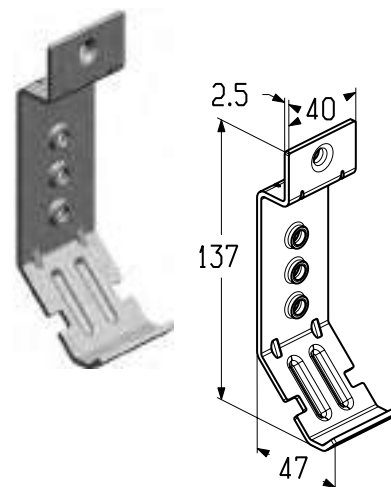
Предназначен для подвеса горизонтальных направляющих. Устанавливается совместно с кронштейном монтажным (ТВ603) в промышленных воротах низкого и наклонного низкого типов монтажа. Используется для подвеса мерной планки промышленных ворот низкого типа монтажа.

Устанавливается совместно с кронштейном монтажным (ТВ604):

- в гаражных воротах высокого типа монтажа;
- в промышленных воротах всех типов монтажа, кроме низкого и наклонного низкого.

Материал оцинкованная сталь
 Вес, кг/шт. 0,11
 Единица измерения шт.
 Норма поставки, шт. 300

Артикул	Код
ТВ006	402610500



Кронштейн угловой

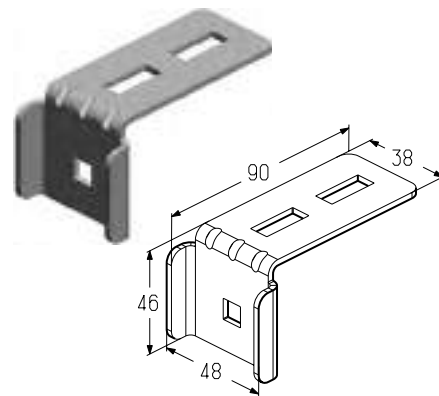
Предназначен для крепления кронштейна подвеса (ТВ607) к потолку.

Используется для подвеса горизонтальных направляющих:

- в гаражных воротах высокого типа монтажа;
- в промышленных воротах всех типов монтажа.

Материал оцинкованная сталь
 Вес, кг/шт. 0,12
 Единица измерения шт.
 Норма поставки, шт. 200

Артикул	Код
ТВ007	402630000



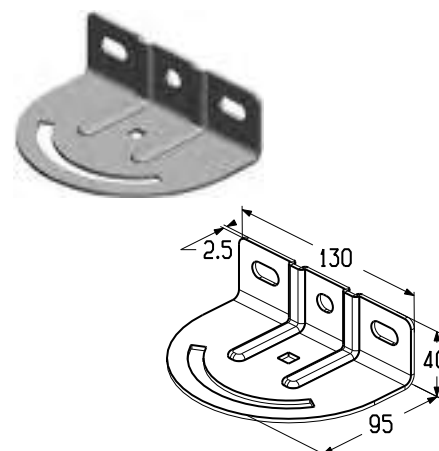
Кронштейн

Предназначен для крепления кронштейна подвеса (ТВ607) к потолку.

Используется для подвеса мерной планки промышленных ворот наклонного низкого типа монтажа.

Материал оцинкованная сталь
 Вес, кг/шт. 0,28
 Единица измерения шт.
 Норма поставки, шт. 45

Артикул	Код
ТВ1924	403490500



СИСТЕМА ТЕЛЕСКОПИЧЕСКОГО ПОДВЕСА

Профиль монтажный

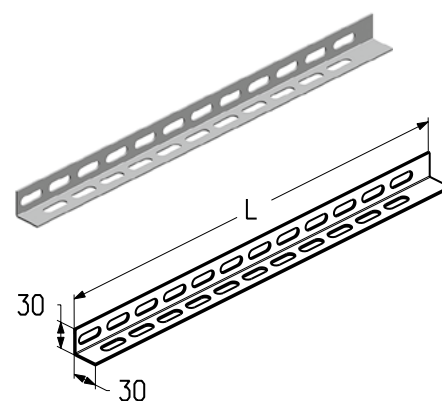
Предназначен для усиления телескопического подвеса. Устанавливается совместно с кронштейном подвеса (ТВ607).

Используется:

- в гаражных воротах высокого типа монтажа;
- в промышленных воротах всех типов монтажа.

Материал Оцинкованная сталь
Вес, кг/м 0,61
Единица измерения м

Артикул	Код	Длина (L), мм	Норма поставки, м	Норма поставки, шт.
PRG09	402410400	1160	92,80	80
		1480	118,40	
		1800	144,00	



С-профиль

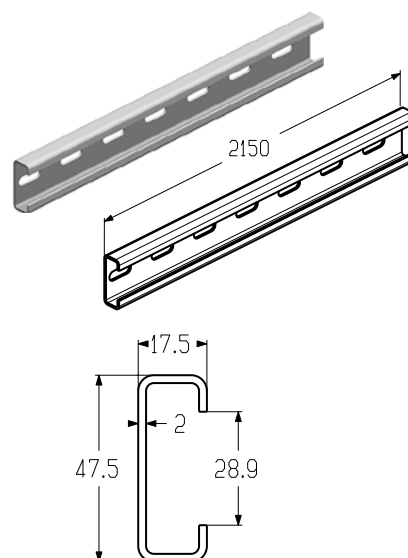
Перфорированный, предназначен для усиления телескопического подвеса. Устанавливается совместно с кронштейном подвеса (ТВ607-1500).

Используется:

- в гаражных воротах высокого типа монтажа;
- в промышленных воротах всех типов монтажа.

Материал Оцинкованная сталь
Вес, кг/м 1,38
Единица измерения м

Артикул	Код	Норма поставки, м	Норма поставки, шт.
PRG06	402421700	215,00	100



ОГРАНИЧИТЕЛИ ХОДА ПОЛОТНА

УСТАНОВКА ДЕМПФЕРА



**Установка демпфера
SB-235K**



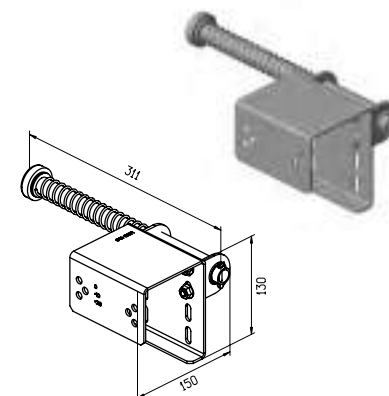
**Установка демпфера
SB-485K**

Демпфер

Предназначен для ограничения перемещения полотна промышленных ворот.
Используется в промышленных воротах:

- без электропривода (или цепного редуктора) стандартного, низкого и наклонного низкого типов монтажа;
- с навальным электроприводом (или цепным редуктором) наклонного низкого типа монтажа;
- с ручным управлением или навальным электроприводом (или цепным редуктором) высокого, вертикального, наклонного высокого типов монтажа с верхним и нижним расположением вала, наклонного типа монтажа.

Материал оцинкованная сталь
Вес, кг/шт. 1,54
Единица измерения шт.
Норма поставки, шт. 60

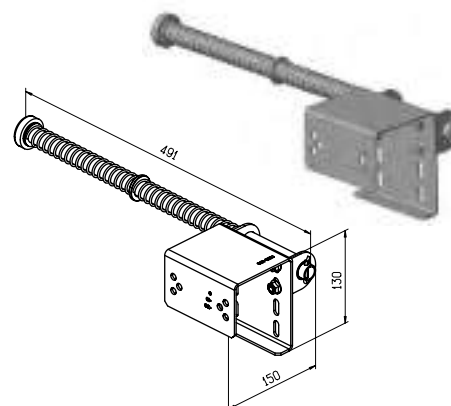


Артикул	Код
SB-235K	418700467

Демпфер

Предназначен для ограничения перемещения полотна промышленных ворот.
Используется в промышленных воротах с навальным электроприводом и цепным редуктором стандартного и низкого типов монтажа.

Материал оцинкованная сталь
Вес, кг/шт. 1,75
Единица измерения шт.
Норма поставки, шт. 30



Артикул	Код
SB-485K	418700469

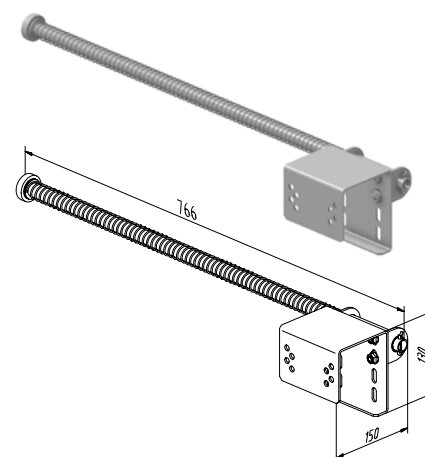
ОГРАНИЧИТЕЛИ ХОДА ПОЛОТНА

Демпфер

Предназначен для ограничения перемещения полотна промышленных ворот.
Используется в промышленных воротах стандартного, низкого, низкого с передним расположением вала и низкого с передним расположением вала (тип 2) типах монтажа.

Материал оцинкованная сталь
Единица измерения шт.
Норма поставки, шт. 30

Артикул	Код	Длина, мм	Вес, кг	Применяемость
SB-750K	418700471	750	2,12	при массе полотна более 260 кг
SB-750ЕК	418700473	750	2,03	при массе полотна до 260 кг



1.1

1.2

1.3

1.4

1.5

2

3

4

ОГРАНИЧИТЕЛИ ХОДА ПОЛОТНА

УСТАНОВКА ОГРАНИЧИТЕЛЯ И ФИКСАТОРА



Установка ограничителя



Установка фиксатора

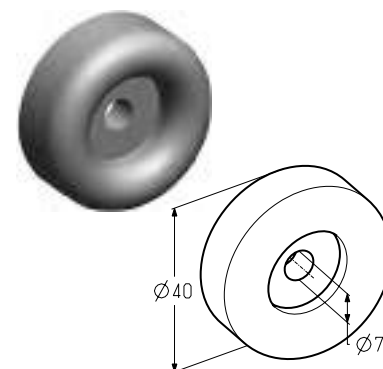
Ограничитель

Предназначен для ограничения перемещения полотна гаражных ворот.

Используется:

- в гаражных воротах с пружинами растяжения с автоматическим управлением;
- в гаражных воротах низкого и стандартного типов монтажа с автоматическим управлением;
- в гаражных воротах высокого типа монтажа с автоматическим и ручным управлением.

Материал TPE
 Вес, кг/шт. 0,03
 Единица измерения шт.
 Норма поставки, шт. 200



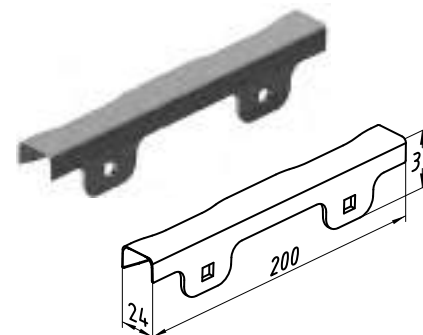
Артикул	Код
RS0301	402910200

Фиксатор

Предназначен для ограничения перемещения полотна гаражных ворот.

Используется в гаражных воротах с пружинами растяжения и торсионными пружинами низкого и стандартного типов монтажа с ручным управлением.

Материал PA
 Вес, кг/шт. 0,15
 Единица измерения шт.
 Норма поставки, шт. 128



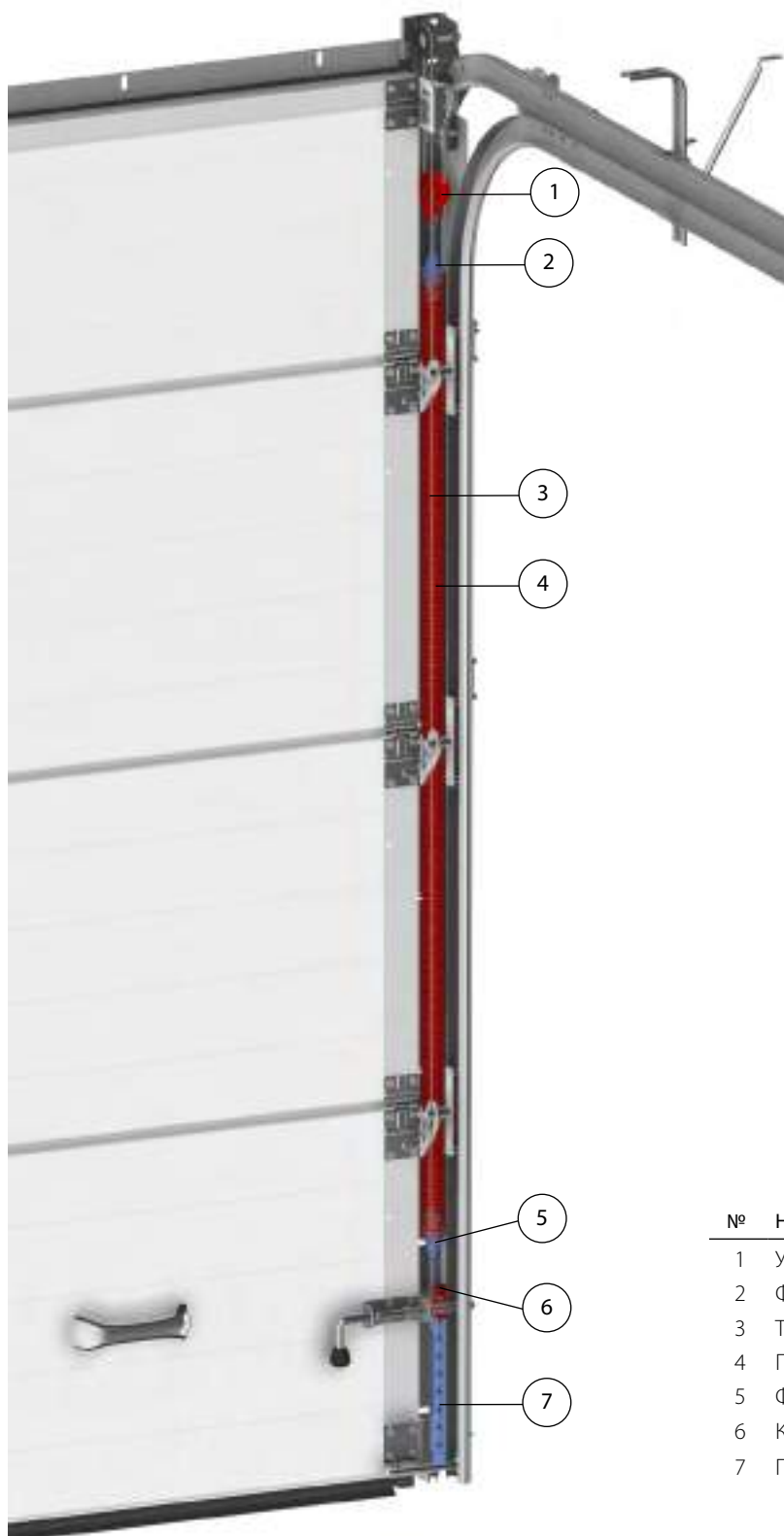
Артикул	Код
LH3004	402910900

1.5

Система балансування

ГАРАЖНЫЕ ВОРОТА СЕРИИ PRESTIGE

ПРУЖИНЫ РАСТЯЖЕНИЯ



№ Наименование

- | | |
|---|--------------|
| 1 | Узел верхний |
| 2 | Фиксатор |
| 3 | Трос |
| 4 | Пружина |
| 5 | Фиксатор |
| 6 | Кронштейн |
| 7 | Пластина |

1.1

1.2

1.3

1.4

1.5

2

3

4

УСТАНОВКА УЗЛА ВЕРХНЕГО И ПЛАСТИНЫ



Узел верхний



Пластина

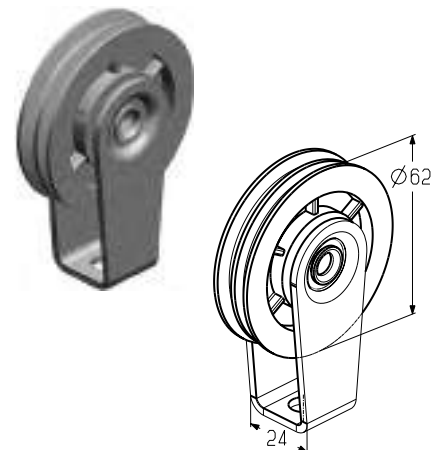
Узел верхний

Предназначен для

- установки троса;
- крепления фиксатора (SH221S).

Используется в гаражных воротах с пружинами растяжения.

Материал оцинкованная сталь
 Вес, кг/шт. 0,14
 Единица измерения шт.
 Норма поставки, шт. 100



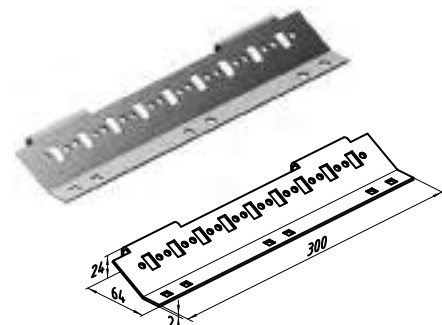
Артикул	Код
US230S	402300400

Пластина

Предназначена для регулировки натяжения пружин совместно с кронштейном (SB212S).

Используется в гаражных воротах с пружинами растяжения.

Материал оцинкованная сталь
 Вес, кг/шт. 0,29
 Единица измерения шт.
 Норма поставки, шт. 50



Артикул	Код
SP203S	402911000

УСТАНОВКА ФИКСАТОРА И КРОНШТЕЙНА



Фиксатор SH221S



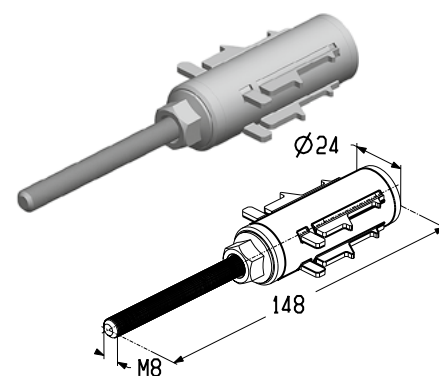
Кронштейн SB212S

**Фиксатор**

Предназначен для крепления пружин.
Используется в гаражных воротах с пружинами растяжения.

Материал оцинкованная сталь
Вес, кг/шт. 0,21
Единица измерения шт.
Норма поставки, шт. 60

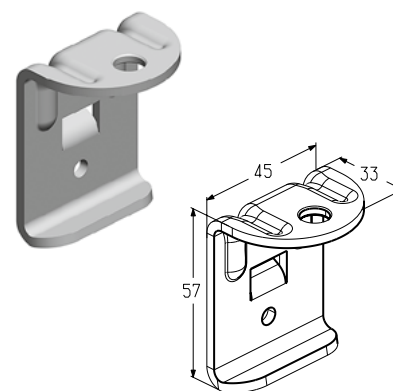
Артикул	Код
SH221S	402911100

**Кронштейн**

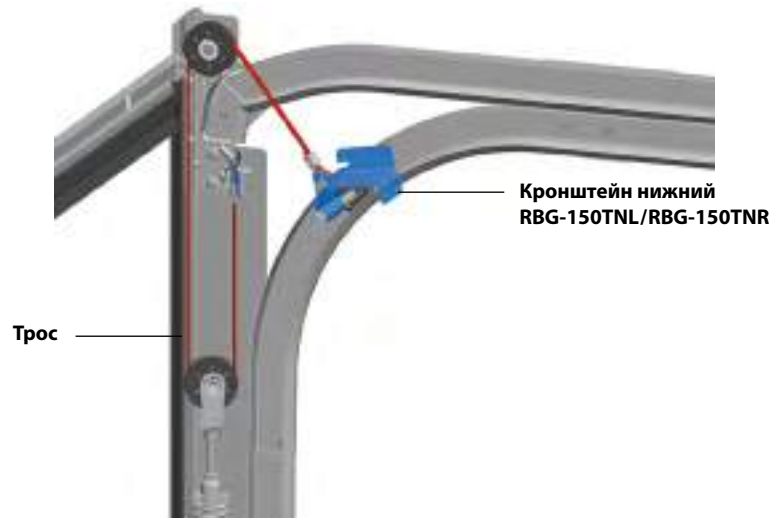
Предназначен для регулировки натяжения пружин совместно с пластиной (SP203S).
Используется в гаражных воротах с пружинами растяжения.

Материал оцинкованная сталь
Вес, кг/шт. 0,93
Единица измерения шт.
Норма поставки, шт. 200

Артикул	Код
SB212S	402600600



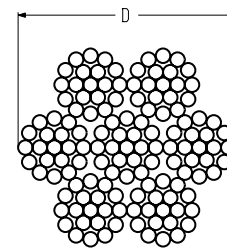
УСТАНОВКА ТРОСА



Трос

Предназначен для подъема полотна ворот.

Диаметр, мм	3,0
Материал	оцинкованная сталь
Вес, кг/м	0,032
Единица измерения	м
Норма поставки, м	250

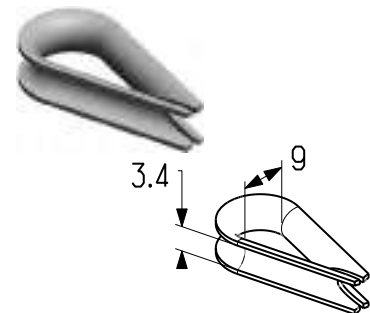


Артикул	Код
CR-3-250	403930000

Коуш

Предназначен для заделки троса.

Материал	оцинкованная сталь
Вес, кг/шт.	0,002
Единица измерения	шт.
Норма поставки, шт.	1000

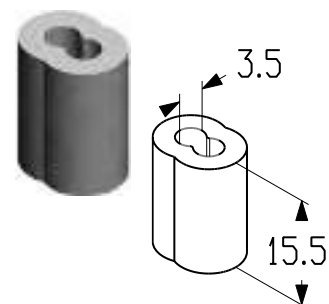


Артикул	Код
CRT-3	403950000

Зажим

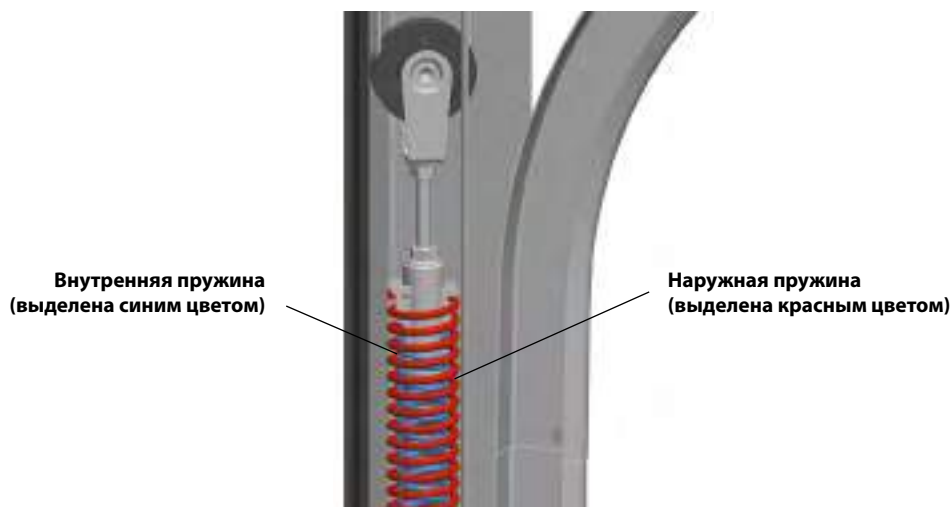
Предназначен для заделки троса.

Материал	алюминий
Вес, кг/шт.	0,003
Единица измерения	шт.
Норма поставки, шт.	1000



Артикул	Код
CRS2-3	403940000

УСТАНОВКА ТРОСА

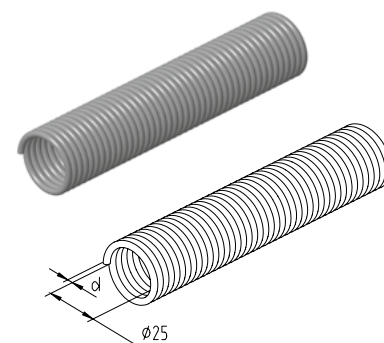


Пружина (внутренняя)*

Предназначена для балансировки полотна ворот.
Используется в гаражных воротах с пружинами растяжения.

Внутренний диаметр, мм 25
Материал оцинкованная сталь
Единица измерения м

Артикул	Код	d, мм	Вес, кг/м	Норма поставки, м	Норма поставки, шт.
TN32×25YL×1120R	403322000	3,2	1,70	11,20	10
TN32×25YL×1250R	403322600	3,2	1,74	12,50	
TN28×25BR×1250R	411800303	2,8	1,51	12,50	
TN34×25RD×1550R	411800304	3,4	1,87	15,50	
TN30×25WH×1500R	403322500	3,0	1,62	15,00	
TN26×25VT×2500R	411800302	2,6	1,39	13,75	

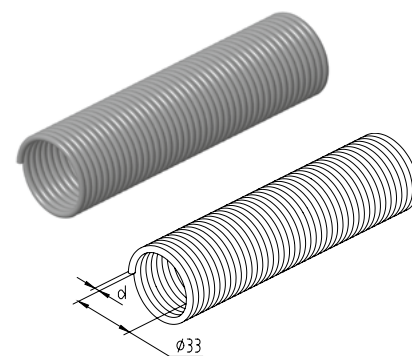


Пружина (наружная)*

Предназначена для балансировки полотна ворот.
Используется в гаражных воротах с пружинами растяжения.

Внутренний диаметр, мм 33
Материал оцинкованная сталь
Единица измерения м

Артикул	Код	d, мм	Вес, кг/м	Норма поставки, м	Норма поставки, шт.
TN36×33OR×850R	403331400	3,6	2,50	8,50	10
TN38×33PN×900R	411800305	3,8	2,71	9,00	
TN32×33GR×1050R	403331700	3,2	2,22	10,50	
TN34×33BL×1100R	403332900	3,4	2,63	11,00	
TN36×33OR×1100R	403332200	3,6	2,54	11,00	
TN42×33BK×1170R	411800306	4,2	3,03	11,70	
TN40×33GN×1250R	403333200	4,0	2,80	12,50	
TN42×33BK×1350R	403333100	4,2	3,61	13,50	
TN45×33VT×1510R	403332300	4,5	3,23	15,10	
TN30×33WH×2000R	403332600	3,0	2,08	20,00	
TN26×33RD×2000R	403332400	2,6	1,78	20,00	
TN28×33BR×2000R	403332500	2,8	1,93	20,00	



* Ввиду постоянного совершенствования конструкции возможно изменение параметров пружин. Актуальные артикулы следует уточнять при заказе комплектации.

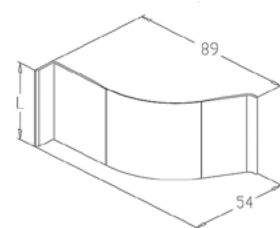
УСТАНОВКА КОЖУХА



Кожух защитный

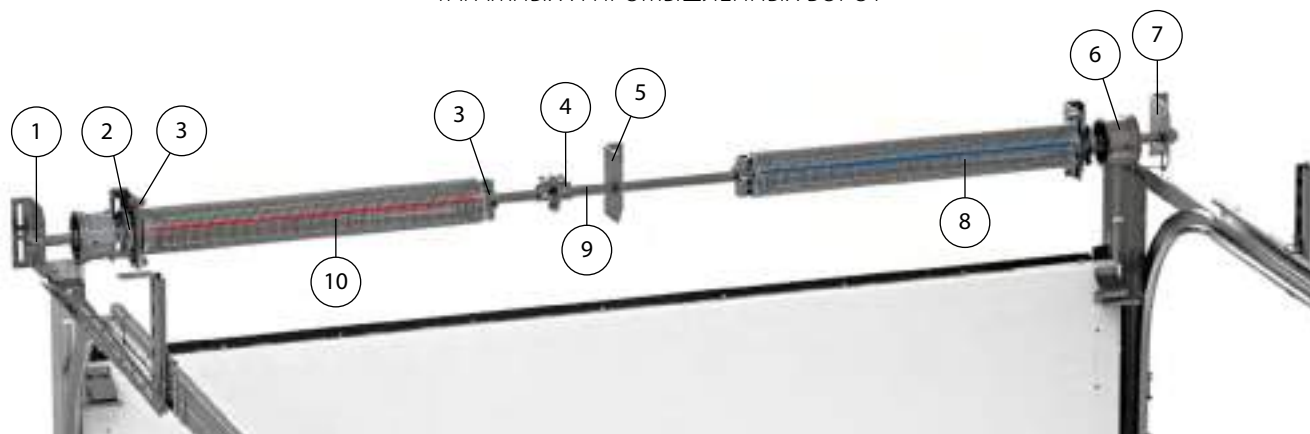
Предназначен для защиты от защемления пальцев. Устанавливается совместно с пружинным механизмом. Используется в гаражных воротах с пружинами растяжения.

Материал	RPVC
Длина, м	2,50
Вес, кг/м	0,14
Единица измерения	м
Норма поставки, м	25

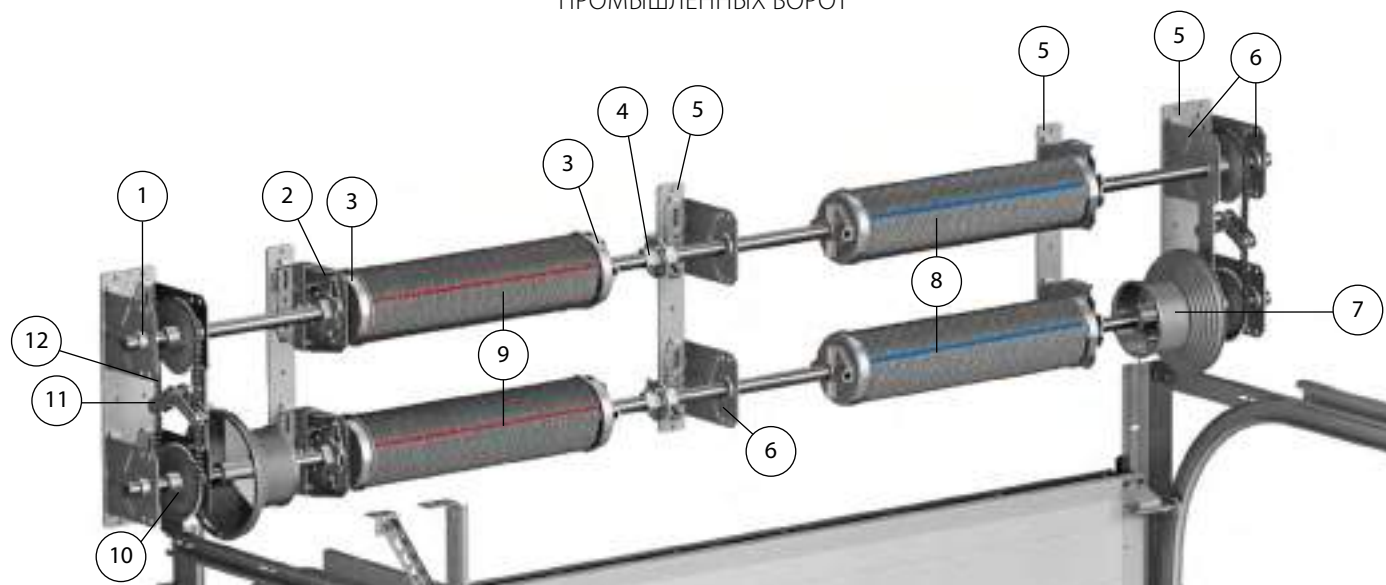


Артикул	Код	Норма поставки, м	Норма поставки, шт.
РС-4016	402911800	25	10

ТИПОВАЯ КОНСТРУКЦИЯ ТОРСИОННОГО ВАЛА В СБОРЕ

ОДНОВАЛЬНАЯ СИСТЕМА БАЛАНСИРОВКИ ПОЛОТНА
ГАРАЖНЫХ И ПРОМЫШЛЕННЫХ ВОРОТ

№	Наименование	№	Наименование
1	Кольцо стопорное	6	Барабан
2	Муфта храповая предохранительная	7	Кронштейн боковой
3	Наконечники пружинные	8	Пружина с правой навивкой
4	Муфта соединительная	9	Вал
5	Кронштейн промежуточный	10	Пружина с левой навивкой

ДУХВАЛЬНАЯ СИСТЕМА БАЛАНСИРОВКИ ПОЛОТНА
ПРОМЫШЛЕННЫХ ВОРОТ

№	Наименование	№	Наименование
1	Кольцо стопорное	7	Барабан
2	Муфта храповая предохранительная	8	Пружина с правой навивкой
3	Наконечники пружинные	9	Пружина с левой навивкой
4	Муфта соединительная	10	Звездочка
5	Пластина монтажная	11	Натяжитель цепи
6	Кронштейн промежуточный	12	Цепь

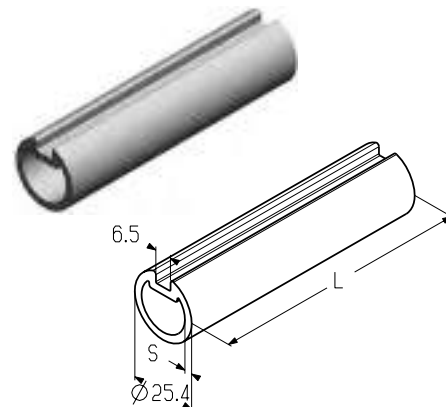
ВАЛ

Вал

Применяется при массе полотна ворот менее 160 кг.
Используется для гаражных и промышленных ворот всех типов монтажа с торсионными пружинами.

Диаметр вала, мм 25,4
Материал оцинкованная сталь
Толщина стенки (S), мм 2 мм
Единица измерения М

Артикул	Код	Длина (L), мм	Вес, кг/м	Норма поставки	
				м	шт.
TSH-4500-2	403221000	4500	1,20	225	50
TSH-5500-2	403221100	5500	1,20	275	

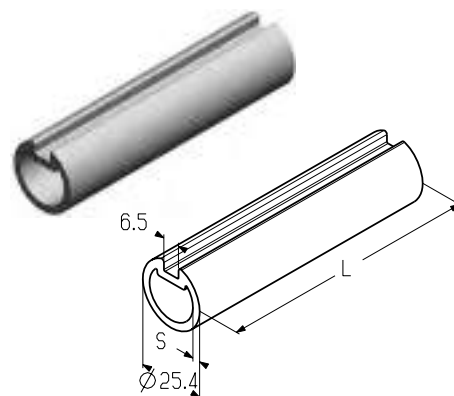


Вал

Применяется при массе полотна ворот от 160 до 230 кг.
Используется для гаражных и промышленных ворот всех типов монтажа с торсионными пружинами.

Диаметр вала, мм 25,4
Материал оцинкованная сталь
Толщина стенки (S), мм 3 мм
Единица измерения М

Артикул	Код	Длина (L), мм	Вес, кг/м	Норма поставки	
				м	шт.
TSH-4500	403220100	4500	1,75	225	50
TSH-5500	403220200	5500	1,75	275	



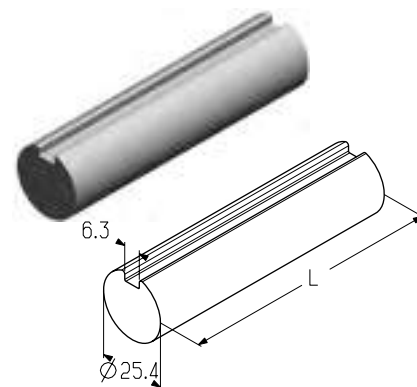
Вал

Применяется:

- при массе полотна от 230 до 350 кг для гаражных ворот с торсионными пружинами всех типов монтажа;
- при массе полотна от 230 до 300 кг для промышленных ворот высокого с нижним расположением вала, вертикального с нижним расположением вала, наклонного высокого с нижним расположением вала;
- при массе полотна от 230 до 350 кг для промышленных ворот иных типов монтажа;
- для промышленных ворот всех типов монтажа в случае использования дуплексных пружин.

Диаметр вала, мм 25,4
Материал оцинкованная сталь
Единица измерения М

Артикул	Код	Длина (L), мм	Вес, кг/м	Норма поставки	
				м	шт.
TSS-5000	403220300	5000	3,75	125,0	25
TSS-5500	403220400	5500	3,80	137,5	



ВАЛ

Вал

Применяется:

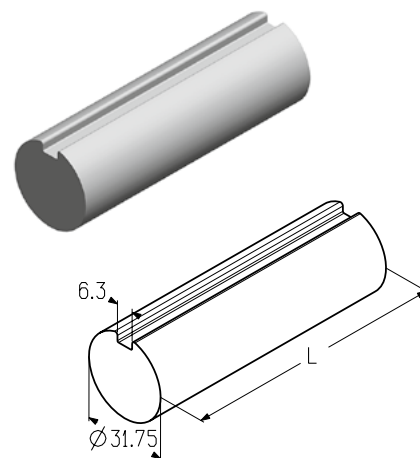
- при массе полотна от 300 кг для промышленных ворот высокого с нижним расположением вала, вертикального с нижним расположением вала, наклонного высокого с нижним расположением вала;
- при массе полотна от 350 кг для промышленных ворот иных типов монтажа.

Диаметр вала, мм 31,75

Материал оцинкованная сталь

Единица измерения м

Артикул	Код	Длина (L), мм	Вес, кг/м	Норма поставки	
				м	шт.
TSS-5/4-4000	412950699	4000	6,00	100	25
TSS-5/4-5800	403230100	5800	6,00	145	



1.1

1.2

1.3

1.4

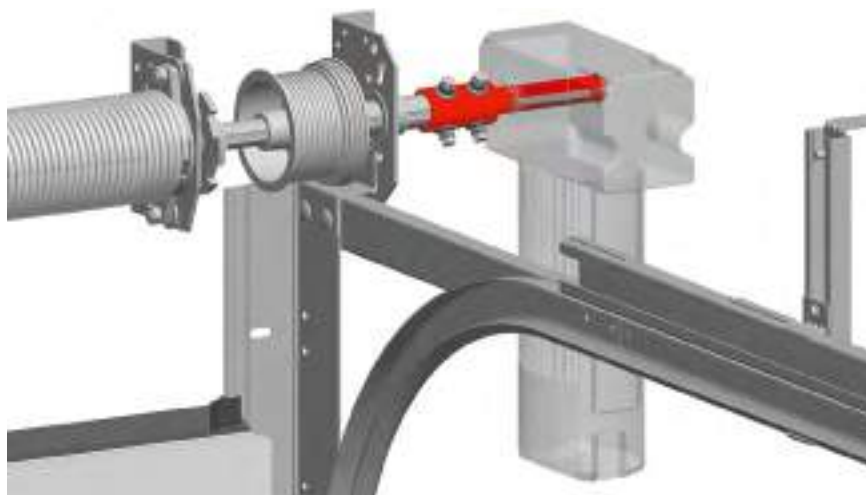
1.5

2

3

4

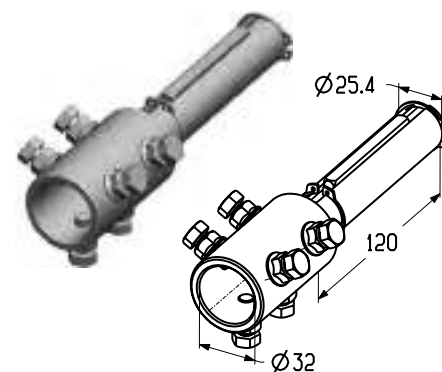
УСТАНОВКА АДАПТЕРА ВАЛА



Адаптер

Предназначен для установки навальных электроприводов и цепного редуктора на вал диаметром 31,75 мм. Используется в промышленных воротах всех типов монтажа с одновальной и двухвальной системами балансировки.

Материал оцинкованная сталь
 Вес, кг/шт. 0,94
 Единица измерения шт.
 Норма поставки, шт. 10

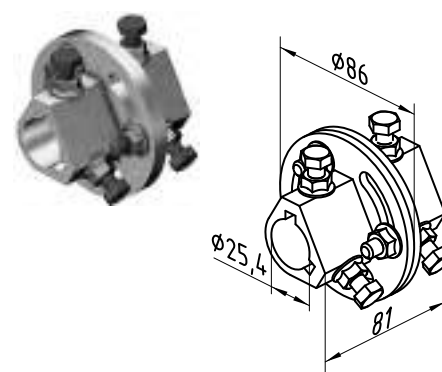


Артикул	Код
SA-5/4	403720000

Муфта соединительная АС-1

Предназначена для сборки торсионного вала с одновальной системой балансировки. Используется в гаражных воротах с торсионными пружинами и промышленных воротах всех типов монтажа.

Материал оцинкованная сталь
 Единица измерения шт.
 Норма поставки, шт. 100

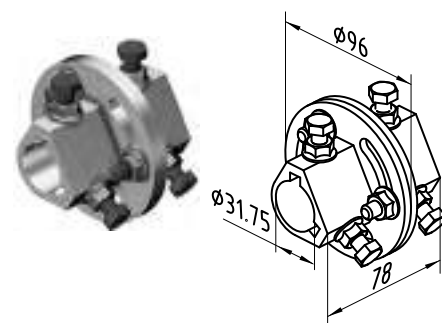


Артикул	Код	Диаметр вала, мм	Вес, кг/шт.
АС-1	403710000	25,4	0,74

Муфта соединительная АС-5/4

Предназначена для сборки торсионного вала с одновальной и двухвальной системой балансировки. Используется в промышленных воротах всех типов монтажа.

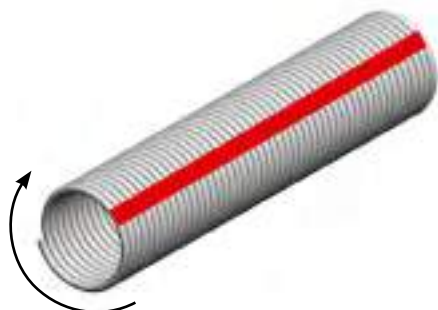
Материал оцинкованная сталь
 Единица измерения шт.
 Норма поставки, шт. 14



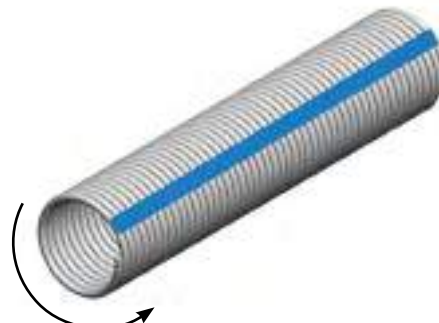
Артикул	Код	Диаметр вала, мм	Вес, кг/шт.
АС-5/4	403710100	31,75	0,99

ПРУЖИНЫ И НАКОНЕЧНИКИ ПРУЖИННЫЕ

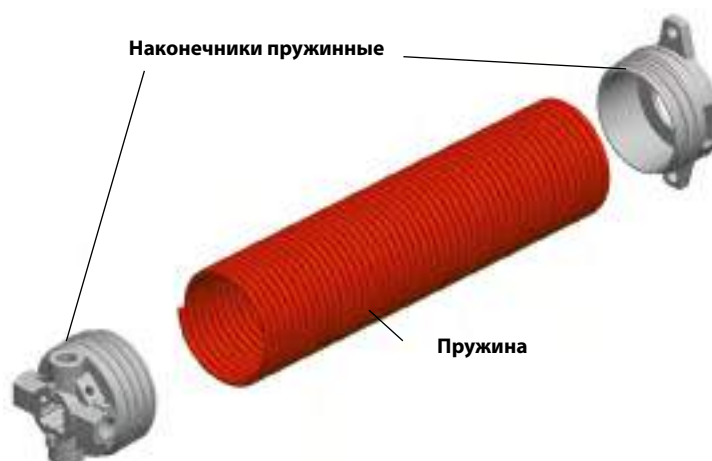
ПРУЖИНА С ЛЕВОЙ НАВИВКОЙ — L
(маркируется красным цветом)



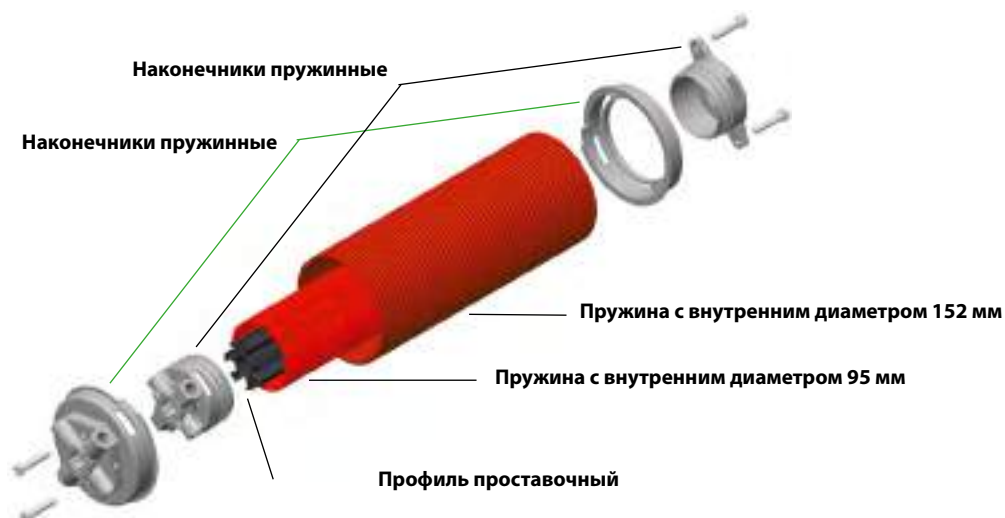
ПРУЖИНА С ПРАВОЙ НАВИВКОЙ — R
(маркируется любым другим цветом)



СХЕМАТИЧЕСКОЕ ИЗОБРАЖЕНИЕ ПРУЖИНЫ
С НАКОНЕЧНИКАМИ ПРУЖИННЫМИ



СХЕМАТИЧЕСКОЕ ИЗОБРАЖЕНИЕ
ДУПЛЕКСНОЙ ПРУЖИНЫ



1.1

1.2

1.3

1.4

1.5

2

3

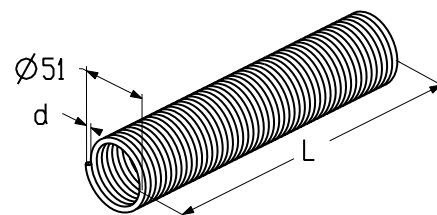
4

ПРУЖИНЫ И НАКОНЕЧНИКИ ПРУЖИННЫЕ

Пружина*

Используется в гаражных и промышленных воротах всех типов монтажа с одновалной системой балансировки.

Внутренний диаметр, мм	51
Диаметр вала, мм	25,4
Материал	стальная проволока
Покрытие	полимерное
Цвет**	RAL 9006
Единица измерения	м



Артикул	Код	d, мм	Длина, мм	Вес, кг/м	Норма поставки, м	Норма поставки, шт.
TSA42,5×51×1000R	403803100	4,25	1000	5,00	4,50	5
TSA42,5×51×1000L	403803200					
TSA45×51×1100R	403380200	4,50	1100	4,80	5,50	
TSA45×51×1100L	403380300					
TSA47,5×51×1250R	403380400	4,75	1250	5,00	6,25	
TSA47,5×51×1250L	403380500					
TSA50×51×1350R	403800100	5,00	1350	5,40	6,75	
TSA50×51×1350L	403800200					
TSA52,5×51×1300R	403803300	5,25	1300	5,70	6,50	
TSA52,5×51×1300L	403803400					
TSA55×51×1400R	403800700	5,50	1400	6,00	7,00	
TSA55×51×1400L	403800800					
TSA57,5×51×1600R	403800900	5,75	1600	6,35	8,00	
TSA57,5×51×1600L	403801000					
TSA60×51×1700R	403801100	6,00	1700	6,62	8,50	
TSA60×51×1700L	403801200					
TSA62,5×51×1800R	403801300	6,25	1800	6,80	9,00	
TSA62,5×51×1800L	403801400					
TSA65×51×1900R	403801500	6,50	1900	7,24	9,50	
TSA65×51×1900L	403801600					
TSA70×51×1400R	403382000	7,00	1400	7,70	7,00	
TSA70×51×1400L	403382100					
TSA70×51×2000R	403384800	7,00	2000	7,70	10,00	
TSA70×51×2000L	403384900					

* Ввиду постоянного совершенствования конструкции возможно изменение параметров пружин. Актуальные артикулы следует уточнять при заказе комплектации.

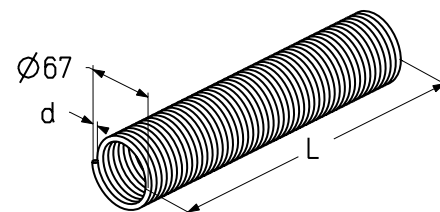
** Цвета, указанные в формате RAL****, имеют близкое соответствие шкале RAL.

ПРУЖИНЫ И НАКОНЕЧНИКИ ПРУЖИННЫЕ

Пружина*

Используется в гаражных и промышленных воротах всех типов монтажа с одновальным системой балансировки полотна.

Внутренний диаметр, мм 67
 Диаметр вала, мм 25,4
 Материал стальная проволока
 Покрытие полимерное
 Цвет** RAL 9006
 Единица измерения м



Артикул	Код	d, мм	Длина, мм	Вес, кг/м	Норма поставки, м	Норма поставки, шт.
TSA55×67×1200R	403383700	5,50	1200	7,72	6,00	5
TSA55×67×1200L	403382400					
TSA57,5×67×1400R	403382500	5,75	1400	8,10	7,00	
TSA57,5×67×1400L	403382600					
TSA60×67×1500R	403802700	6,00	1500	8,50	7,50	
TSA60×67×1500L	403802800					
TSA62,5×67×1700R	403387200	6,25	1700	8,87	8,50	
TSA62,5×67×1700L	403387300					
TSA65×67×1700R	403803500	6,50	1700	9,25	8,50	
TSA65×67×1700L	403803600					
TSA70×67×1900R	403803700	7,00	1900	10,00	9,00	
TSA70×67×1900L	403803800					
TSA75×67×2200R	403802500	7,50	2200	10,90	11,00	
TSA75×67×2200L	403802600					

* Ввиду постоянного совершенствования конструкции возможно изменение параметров пружин. Актуальные артикулы следует уточнять при заказе комплектации.

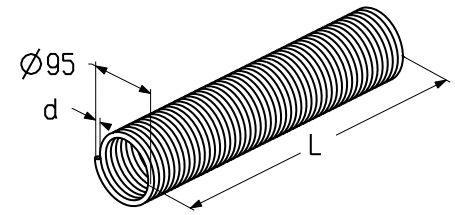
** Цвета, указанные в формате RAL****, имеют близкое соответствие шкале RAL.

ПРУЖИНЫ И НАКОНЕЧНИКИ ПРУЖИННЫЕ

Пружина*

Используется:

- в гаражных воротах высокого типа монтажа;
- в промышленных воротах всех типов монтажа с одновальными и двухвальными системами балансировки.



Внутренний диаметр, мм 95
 Диаметр вала, мм 25,4/31,75
 Материал стальная проволока
 Покрытие полимерное
 Цвет** RAL 9006
 Единица измерения м

Артикул	Код	d, мм	Длина, мм	Вес, кг/м	Норма поставки, м	Норма поставки, шт.
TSA65×95×1400L	403374300	6,5	1400	12,80	7,00	5
TSA65×95×1400R	403374400					
TSA70×95×1150L	403376500	7,0	1150	13,80	5,75	
TSA70×95×1150R	403376400					
TSA70×95×1650L	403376700	7,0	1650	13,80	8,25	
TSA70×95×1650R	403376600					
TSA75×95×1300L	403376900	7,5	1300	14,90	6,50	
TSA75×95×1300R	403376800					
TSA75×95×1750L	403377100	7,5	1750	14,90	8,75	
TSA75×95×1750R	403377000					
TSA80×95×1500L	403700200	8,0	1500	16,00	7,50	
TSA80×95×1500R	403700100					
TSA80×95×2100L	403370700	8,0	2100	16,00	10,50	
TSA80×95×2100R	403370800					
TSA85×95×1250L	403370900	8,5	1250	17,00	6,25	
TSA85×95×1250R	403371000					
TSA85×95×1600L	403377300	8,5	1600	17,00	8,00	
TSA85×95×1600R	403377200					
TSA90×95×1400L	403371100	9,0	1400	18,20	7,00	
TSA90×95×1400R	403371200					
TSA90×95×1500L	403377500	9,0	1500	18,20	7,50	
TSA90×95×1500R	403377400					
TSA95×95×1600L	403371300	9,5	1600	19,30	8,00	
TSA95×95×1600R	403371400					

* Ввиду постоянного совершенствования конструкции возможно изменение параметров пружин. Актуальные артикулы следует уточнять при заказе комплектации.

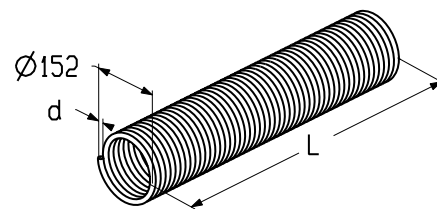
** Цвета, указанные в формате RAL****, имеют близкое соответствие шкале RAL.

ПРУЖИНЫ И НАКОНЕЧНИКИ ПРУЖИННЫЕ

Пружина*

Используется в промышленных воротах всех типов монтажа с одновальной и двухвальной системами балансировки.

Внутренний диаметр, мм	152
Диаметр вала, мм	25,4/31,75
Материал	стальная проволока
Покрытие	полимерное
Цвет**	RAL 9006
Единица измерения	м



Артикул	Код	d, мм	Длина, мм	Вес, кг/м	Норма поставки, м	Норма поставки, шт.
TSA75×152×1300L	403377700	7,5	1300	23,20	6,50	5
TSA75×152×1300R	403377600					
TSA80×152×1500L	403377900	8,0	1500	24,90	7,50	
TSA80×152×1500R	403377800					
TSA85×152×1250L	403700600	8,5	1250	26,40	6,25	
TSA85×152×1250R	403700500					
TSA85×152×1750L	403700400	8,5	1750	26,40	8,75	
TSA85×152×1750R	403700300					
TSA90×152×2100L	403375400	9,0	2100	28,00	10,50	
TSA90×152×2100R	403375500					
TSA95×152×1300L	403375700	9,5	1300	29,60	6,50	
TSA95×152×1300R	403375600					
TSA95×152×2250L	403372300	9,5	2250	29,60	11,25	
TSA95×152×2250R	403372400					
TSA100×152×1400L	403700800	10,0	1400	31,30	7,00	
TSA100×152×1400R	403700700					
TSA100×152×2450L	403701000	10,0	2450	31,30	12,25	
TSA100×152×2450R	403700900					
TSA105×152×1400L	403372700	10,5	1400	33,13	7,00	
TSA105×152×1400R	403372800					
TSA105×152×1800L	403374100	10,5	1800	33,13	9,00	
TSA105×152×1800R	403374200					
TSA110×152×1550L	403375800	11,0	1550	34,70	7,75	
TSA110×152×1550R	403375900					
TSA115×152×1800L	403701200	11,5	1800	36,51	9,00	
TSA115×152×1800R	403701100					
TSA110×152×1800L	403379100	11,0	1800	34,80	9,00	
TSA110×152×1800R	403379000					

* Ввиду постоянного совершенствования конструкции возможно изменение параметров пружин. Актуальные артикулы следует уточнять при заказе комплектации.

** Цвета, указанные в формате RAL****, имеют близкое соответствие шкале RAL.

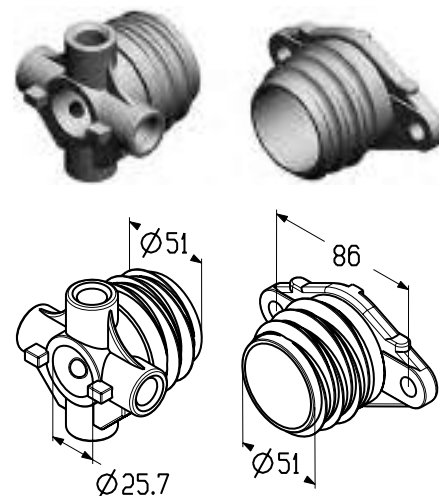
ПРУЖИНЫ И НАКОНЕЧНИКИ ПРУЖИННЫЕ

Наконечники пружинные 51 мм

Используются совместно с пружинами с внутренним диаметром 51 мм.

Материал алюминий
Диаметр вала, мм 25,4
Вес, кг/пара 0,70
Единица измерения пара
Норма поставки, пара 100

Артикул	Код
SF-51	403120000

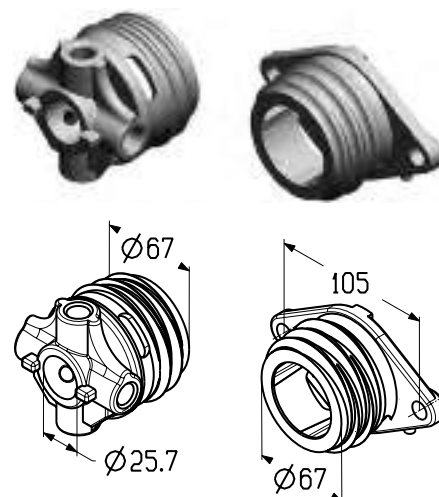


Наконечники пружинные 67 мм

Используются совместно с пружинами с внутренним диаметром 67 мм.

Материал алюминий
Диаметр вала, мм 25,4
Вес, кг/пара 1,00
Единица измерения пара
Норма поставки, пара 100

Артикул	Код
SF-67	403120100

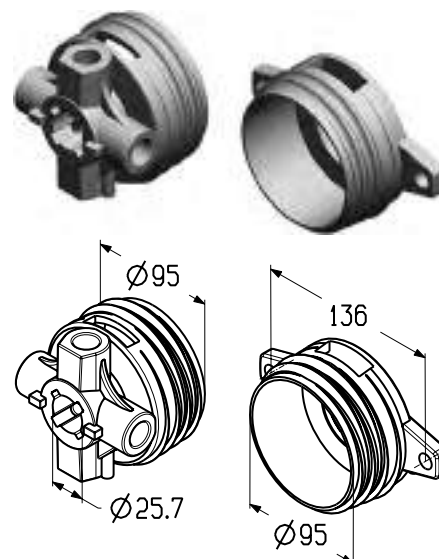


Наконечники пружинные 95 мм

Используются совместно с пружинами с внутренним диаметром 95 мм.

Материал алюминий
Диаметр вала, мм 25,4
Вес, кг/пара 0,79
Единица измерения пара
Норма поставки, пара 20

Артикул	Код
SF-95	403120200



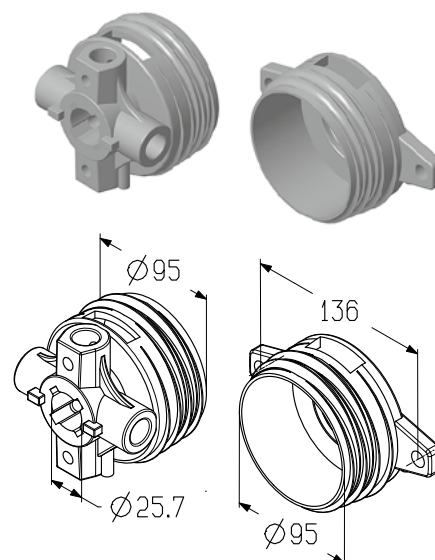
ПРУЖИНЫ И НАКОНЕЧНИКИ ПРУЖИННЫЕ

Наконечники пружинные 95 мм

Используются совместно с пружинами с внутренним диаметром 95 мм, установленными в составе системы дуплексных пружин.

Материал	алюминий
Диаметр вала, мм	25,4
Вес, кг/пара	0,76
Единица измерения	пара
Норма поставки, пара	20

Артикул	Код
SF-95-D	410000017

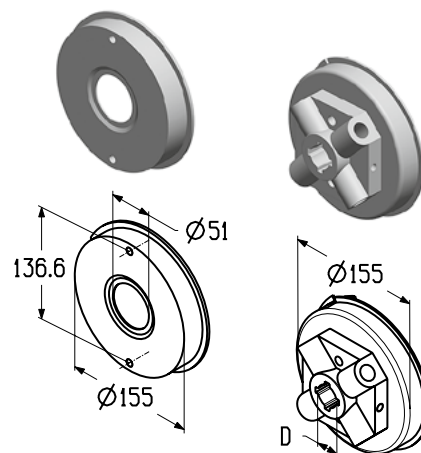


Наконечники пружинные 152 мм

Используются совместно с пружинами с внутренним диаметром 152 мм.

Материал	алюминий
Вес, кг/пара	1,33
Единица измерения	пара
Норма поставки, пара	7

Артикул	Код	Диаметр вала, мм	Примечание
SF-152L	403120500	25,40	Левый
SF-152R	403120400		Правый
SF-152L-5/4	403130200	31,75	Левый
SF-152R-5/4	403130100		Правый

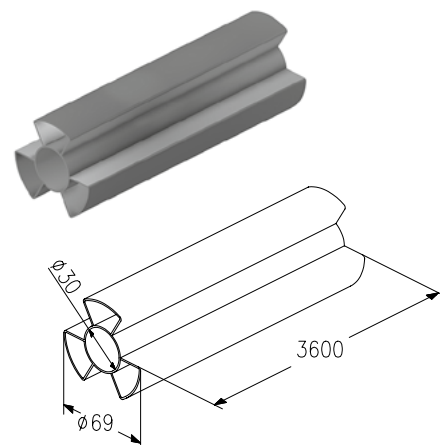


Профиль проставочный

Применяется совместно с пружиной с внутренним диаметром 95 мм.

Длина, мм	3800
Материал	ПВХ
Единица измерения	м
Норма поставки, м	3,8

Артикул	Код	Диаметр вала (d), мм	Вес, кг/м
IP-95N-3800	418700371	25,4	0,48
IP-95N-5/4-3800		31,75	0,49



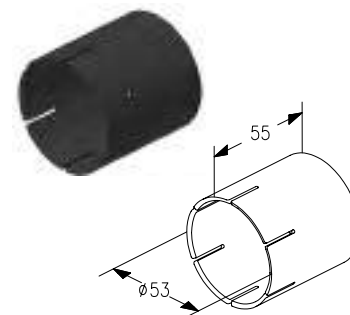
ПРУЖИНА С ВНУТРЕННИМ ДИАМЕТРОМ 95 ММ



Адаптер проставочный

Предназначен для установки совместно с профилем проставочным **IP-95N-3800**, **IP-95N-5/4-3800**.

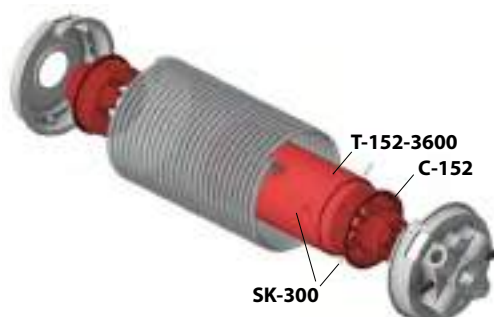
Материал	ПВХ
Вес, кг/шт.	0,02
Единица измерения	шт.
Норма поставки, шт.	420



Артикул	Код
DH-4020	418700326

ПРУЖИНА С ВНУТРЕННИМ ДИАМЕТРОМ 152 М

УСТАНОВКА ТРУБЫ ПРОСТАВОЧНОЙ

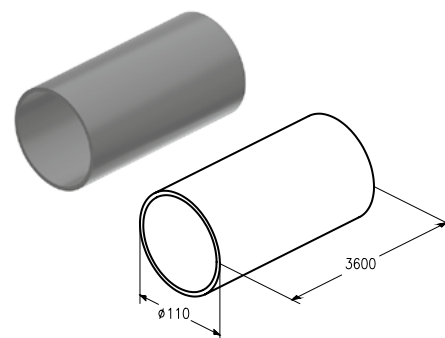


Труба проставочная 110×4,2 мм

Предназначена для установки совместно с пружиной с внутренним диаметром 152 мм.

Материал	ПНД
Вес, кг/м	1,56
Единица измерения	м
Норма поставки, м	3,6

Артикул	Код
T-152-3600	418700437

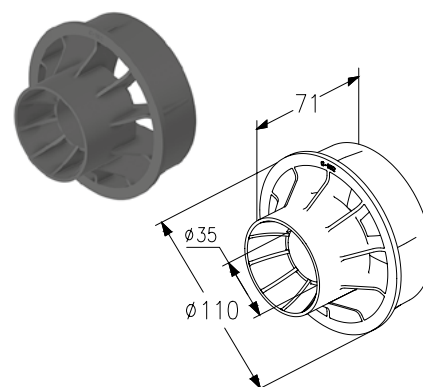


Крышка для трубы проставочной

Применяется совместно с трубой проставочной T-152-3600.

Материал	полиэтилен
Вес, кг/шт.	0,06
Единица измерения	шт.
Норма поставки, шт.	140

Артикул	Код
C-152	411800307



Штифт

Используется в качестве крепежа совместно с пружиной с внутренним диаметром 152 мм и крышками C-152. Поставляется в сборе с трубой проставочной T-152-3600 и крышками для трубы проставочной C-152.

Материал	сталь
Вес, кг/шт.	0,0002
Единица измерения	шт.
Норма поставки, шт.	100

Артикул	Код
SK-300	418700331

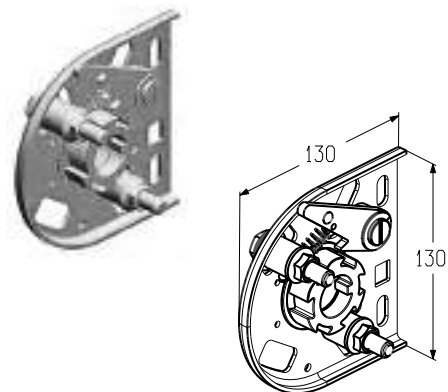
МУФТЫ ПРЕДОХРАНИТЕЛЬНЫЕ ХРАПОВЫЕ

Муфта предохранительная храповая

Предназначена для блокировки вала при поломке пружины.
Используется в гаражных воротах с торсионными пружинами стандартного и низкого типов монтажа.

Диаметр вала, мм 25,4
Материал оцинкованная сталь
Единица измерения шт.
Норма поставки, шт. 32
Вес, кг/шт. 0,76

Артикул	Код	Применение
SBD-TR	403732700	Правая
SBD-TL	403732600	Левая

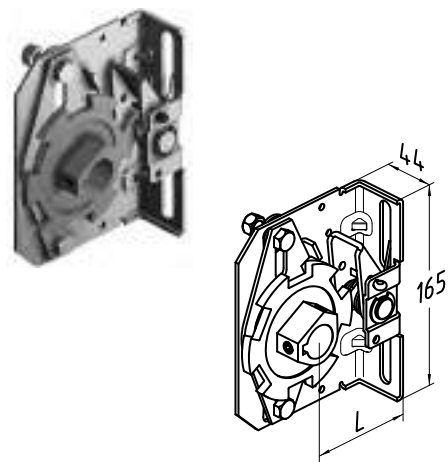


Муфта предохранительная храповая

Предназначена для блокировки вала при поломке пружины.
Используется в промышленных воротах всех типов монтажа.

Диаметр вала, мм 25,4
Материал оцинкованная сталь
Единица измерения шт.

Артикул	Код	Примечание	Вес, кг/шт.	Применение	Норма поставки, шт.
SBD-86R	403731800	При расстоянии от стены до оси вала более 86 мм	1,59	Правая	15
SBD-86L	403731900			Левая	
SBD-111R	403732000	При расстоянии от стены до оси вала более 111 мм	1,77	Правая	10
SBD-111L	403732100			Левая	
SBD-127R	403732200	При расстоянии от стены до оси вала более 127 мм	1,95	Правая	10
SBD-127L	403732300			Левая	
SBD-152R	403732400	При расстоянии от стены до оси вала более 152 мм	2,31	Правая	10
SBD-152L	403732500			Левая	

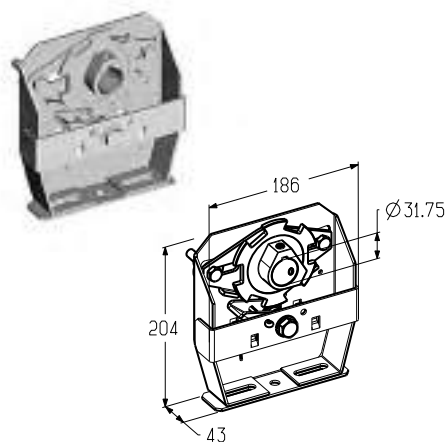


Муфта предохранительная храповая

Предназначена для блокировки вала при поломке пружины. Используется в промышленных воротах всех типов монтажа с одновальной и двухвальной системой балансировки. Устанавливается совместно с пружинами с внутренним диаметром 95, 152 мм.

Диаметр вала, мм 31,75
Материал оцинкованная сталь
Единица измерения шт.
Норма поставки, шт. 20
Вес, кг/шт. 2,50

Артикул	Код	Примечание
SBD-TSS5/4L	403730800	Левый
SBD-TSS5/4R	403730900	Правый



БАРАБАНЫ

Барaban

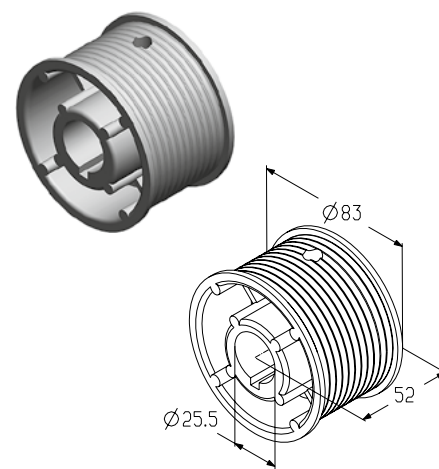
Предназначен для намотки троса Ø 3 мм.

Используется:

- в гаражных воротах стандартного и низкого типов монтажа;
- в промышленных воротах стандартного, низкого, наклонного низкого и наклонного типов монтажа с одновальной системой балансировки.

Диаметр вала, мм	25,4
Мах высота ворот, мм	2600
Мах масса полотна ворот, кг	320
Материал	алюминий
Вес, кг/пара	0,80
Единица измерения	пара
Норма поставки, пара	25

Артикул	Код
CD010N	403020000



Барaban

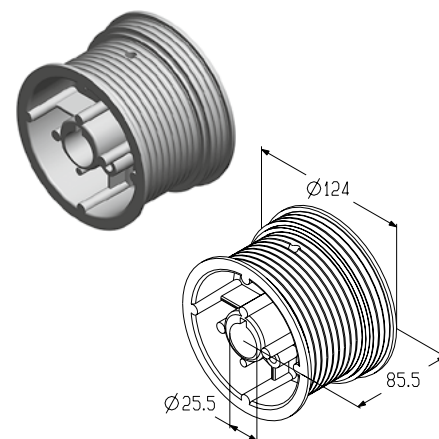
Предназначен для намотки троса Ø 3, 4, 5 мм.

Используется:

- в гаражных воротах стандартного и низкого типов монтажа;
- в промышленных воротах стандартного, низкого, низкого с передним расположением вала, низкого с передним расположением вала (тип 2), наклонного низкого и наклонного типов монтажа с одновальной системой балансировки.

Диаметр вала, мм	25,4
Мах высота ворот, мм	3680
Мах масса полотна ворот, кг	500
Материал	алюминий
Вес, кг/пара	1,10
Единица измерения	пара
Норма поставки, пара	20

Артикул	Код
CD012N	403020100



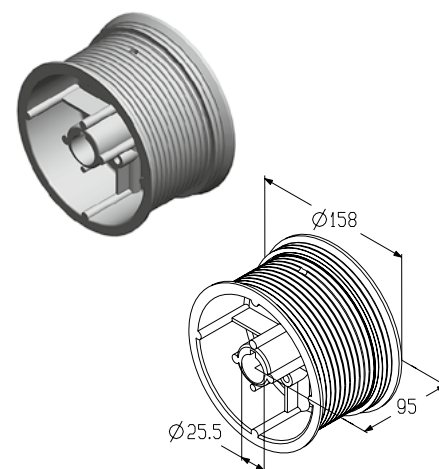
Барaban

Предназначен для намотки троса Ø 3, 4, 5 мм.

Используется в промышленных воротах стандартного, низкого, низкого с передним расположением вала, низкого с передним расположением вала (тип 2), наклонного низкого и наклонного типов монтажа с одновальной системой балансировки.

Диаметр вала, мм	25,4
Мах высота ворот, мм	5570
Мах масса полотна ворот, кг	500
Материал	алюминий
Вес, кг/пара	1,60
Единица измерения	пара
Норма поставки, пара	15

Артикул	Код
CD018N	403020200



1.1

1.2

1.3

1.4

1.5

2

3

4

БАРАБАНЫ

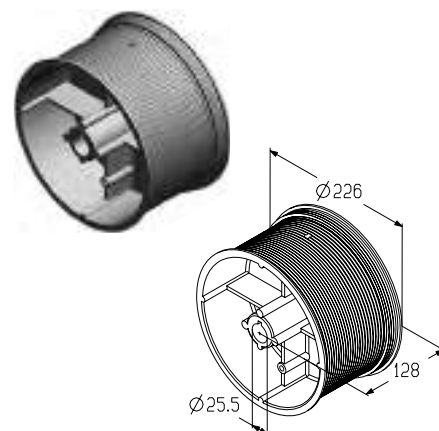
Барабан

Предназначен для крепления троса Ø 3, 4, 5, 6 мм.

Используется в промышленных воротах стандартного, низкого, низкого с передним расположением вала, низкого с передним расположением вала (тип 2), наклонного низкого и наклонного типов монтажа с одновальной системой балансировки.

Диаметр вала, мм	25,4
Мах высота ворот, мм	10175
Мах масса полотна ворот, кг	700
Материал	алюминий
Вес, кг/пара	5,10
Единица измерения	пара
Норма поставки, пара	4

Артикул	Код
CD032N	403020300
CD032N-D	410000015



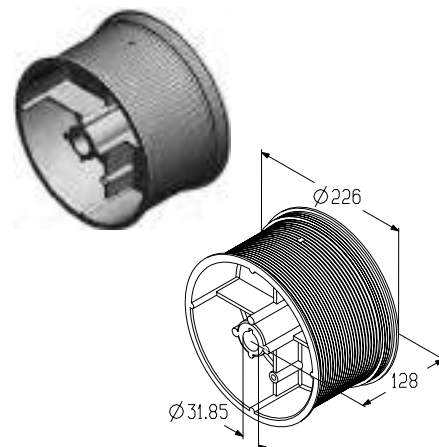
Барабан

Предназначен для крепления троса Ø 3, 4, 5, 6 мм.

Используется в промышленных воротах стандартного, низкого, низкого с передним расположением вала, низкого с передним расположением вала (тип 2), наклонного низкого и наклонного типов монтажа с одновальной и двухвальной системой балансировки.

Диаметр вала, мм	31,75
Мах высота ворот, мм	10175
Мах масса полотна ворот, кг	700
Материал	алюминий
Вес, кг/пара	5,10
Единица измерения	пара
Норма поставки, пара	2

Артикул	Код
CD032N-5/4	403030000



Барабан

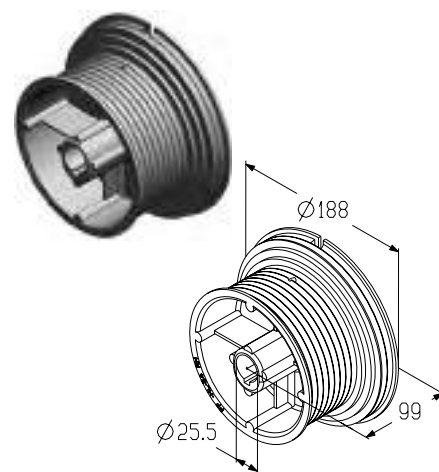
Предназначен для крепления троса Ø 3, 4, 5 мм.

Используется:

- в гаражных воротах высокого типа монтажа;
- в промышленных воротах высоких и высоких наклонных типов монтажа с одновальной системой балансировки.

Диаметр вала, мм	25,4
Мах высота ворот, мм	4800
Мах масса полотна ворот, кг	500
Мах HL*, мм	1370
Материал	алюминий
Вес, кг/пара	2,10
Единица измерения	пара
Норма поставки, пара	6

Артикул	Код
CD054H	403020400



* Максимальное расстояние от нижнего края перемычки до нижнего края горизонтальных направляющих.

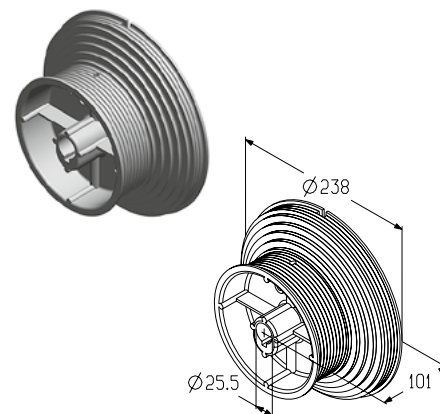
БАРАБАНЫ

Барабан

Предназначен для крепления троса Ø 3, 4, 5 мм.
Используется в промышленных воротах высоких и высоких наклонных типов монтажа с одновальной системой балансировки.

Диаметр вала, мм	25,4
Мах высота ворот, мм	5050
Мах масса полотна ворот, кг	500
Мах HL*, мм	3050
Материал	алюминий
Вес, кг/пара	2,90
Единица измерения	пара
Норма поставки, пара	5

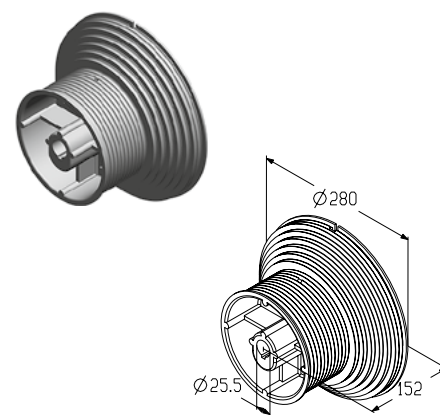
Артикул	Код
CD120H	403020500

**Барабан**

Предназначен для крепления троса Ø 3, 4, 5, 6 мм.
Используется в промышленных воротах высоких и высоких наклонных типов монтажа с одновальной системой балансировки.

Диаметр вала, мм	25,4
Мах высота ворот, мм	6000
Мах масса полотна ворот, кг	650
Мах HL*, мм	4100
Материал	алюминий
Вес, кг/пара	6,50
Единица измерения	пара
Норма поставки, пара	3

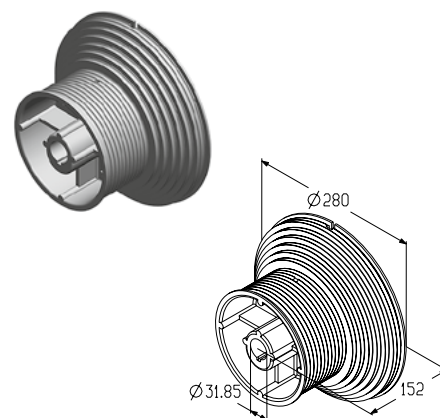
Артикул	Код
CD164H	403020600
CD164H-D	410000014

**Барабан**

Предназначен для крепления троса Ø 3, 4, 5, 6 мм.
Используется в промышленных воротах высоких и высоких наклонных типов монтажа с одновальной и двухвальной системами балансировки.

Диаметр вала, мм	31,75
Мах высота ворот, мм	6000
Мах масса полотна ворот, кг	650
Мах HL*, мм	4100
Материал	алюминий
Вес, кг/пара	6,50
Единица измерения	пара
Норма поставки, пара	2

Артикул	Код
CD164H-5/4	403030100



* Максимальное расстояние от нижнего края перемычки до нижнего края горизонтальных направляющих.

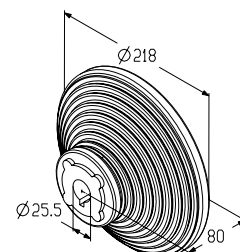
БАРАБАНЫ

Барабан

Предназначен для крепления троса Ø 3, 4, 5 мм.
Используется в промышленных воротах вертикальных типов монтажа с одновальной системой балансировки.

Диаметр вала, мм	25,4
Мах высота ворот, мм	3300
Мах масса полотна ворот, кг	500
Материал	алюминий
Вес, кг/пара	1,90
Единица измерения	пара
Норма поставки, пара	9

Артикул	Код
CD011V	403020700
CD011V-D	410000010

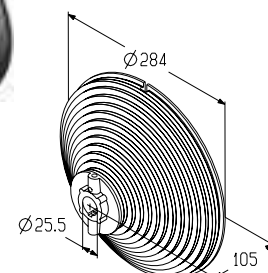


Барабан

Предназначен для крепления троса Ø 3, 4, 5 мм.
Используется в промышленных воротах вертикальных типов монтажа с одновальной системой балансировки.

Диаметр вала, мм	25,4
Мах высота ворот, мм	6000
Мах масса полотна ворот, кг	600
Материал	алюминий
Вес, кг/пара	4,00
Единица измерения	пара
Норма поставки, пара	5

Артикул	Код
CD018V	403020800
CD018V-D	410000011

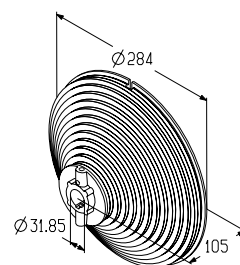


Барабан

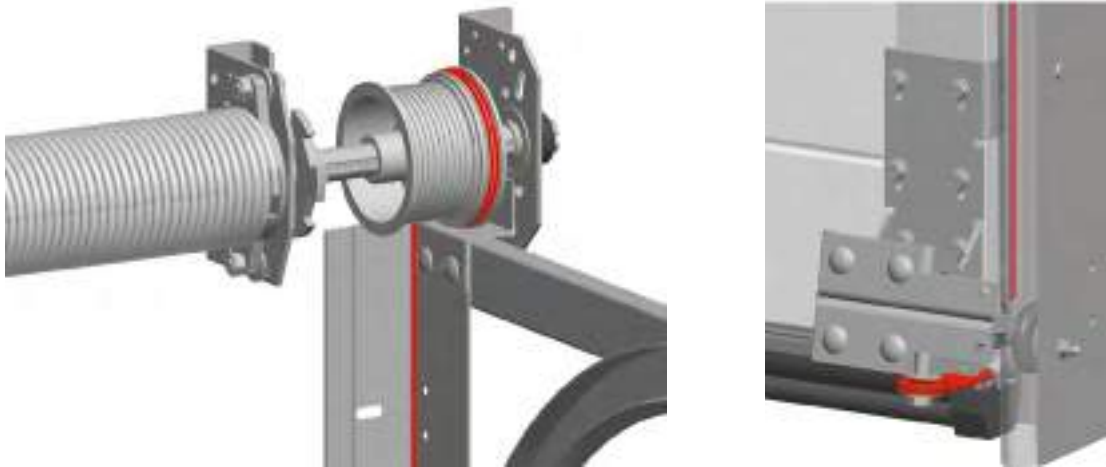
Предназначен для крепления троса Ø 3, 4, 5 мм.
Используется в промышленных воротах вертикальных типов монтажа с одновальной и двухвальной системой балансировки.

Диаметр вала, мм	31,75
Мах высота ворот, мм	6000
Мах масса полотна ворот, кг	600
Материал	алюминий
Вес, кг/пара	4,00
Единица измерения	пара
Норма поставки, пара	4

Артикул	Код
CD018V-5/4	403030200



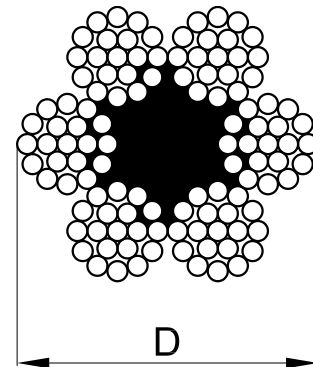
ТРОСЫ, КОУШИ, ЗАЖИМЫ

**Трос**

Предназначен для подъема полотна ворот.
Применяется в гаражных и промышленных воротах низких типов монтажа.

Материал оцинкованная сталь + PVC
Единица измерения м
Норма поставки, м 1000

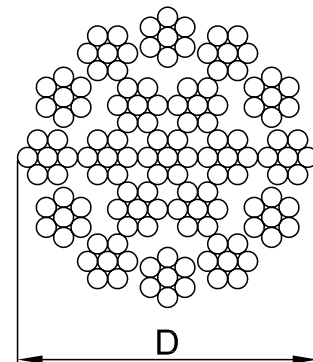
Артикул	Код	Диаметр троса, мм	Вес, кг/м	Для ворот с массой полотна, кг
CR-3-250-P	403930800	3	0,055	до 135

**Трос**

Предназначен для подъема полотна ворот.
Применяется в гаражных и промышленных воротах всех типов монтажа.

Материал оцинкованная сталь
Единица измерения м
Норма поставки, м 1000

Артикул	Код	Диаметр троса (d), мм	Вес, кг/м	Для ворот с массой полотна, кг
CR-4-H	414060398	4	0,060	от 135 до 200
CR-5-H	414060399	5	0,092	от 200 до 450



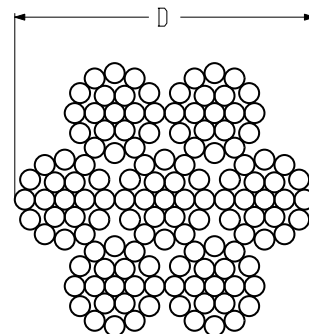
ТРОСЫ, КОУШИ, ЗАЖИМЫ

Трос

Предназначен для подъема полотна ворот.

Материал оцинкованная сталь
 Единица измерения м
 Норма поставки, м 1000

Артикул	Код	Диаметр троса, мм	Вес, кг/м	Для ворот с массой полотна, кг
CR-6-250	403930300	6	0,140	от 450

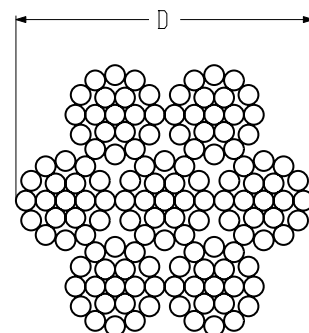


Трос

Предназначен для подъема полотна ворот.

Материал нержавеющая сталь
 Единица измерения м
 Норма поставки, м 250

Артикул	Код	Диаметр троса, мм	Вес, кг/м	Для ворот с массой полотна, кг
CR-3-250-SS	403930400	3	0,036	до 135
CR-4-250-SS	403930500	4	0,062	от 135 до 200
CR-5-250-SS	403930600	5	0,102	от 200 до 450
CR-6-250-SS	403930700	6	0,154	от 450

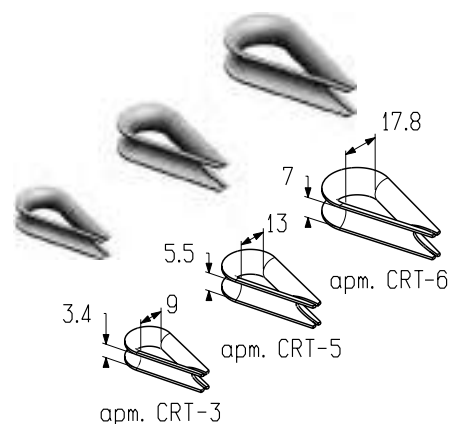


Коуш

Предназначен для заделки троса.

Материал оцинкованная сталь
 Единица измерения шт.
 Норма поставки, шт. 1000

Артикул	Код	Диаметр троса, мм	Вес, кг/шт.
CRT-3	403950000	3	0,002
CRT-5	403950100	5 и 4	0,005
CRT-6	403950200	6	0,008



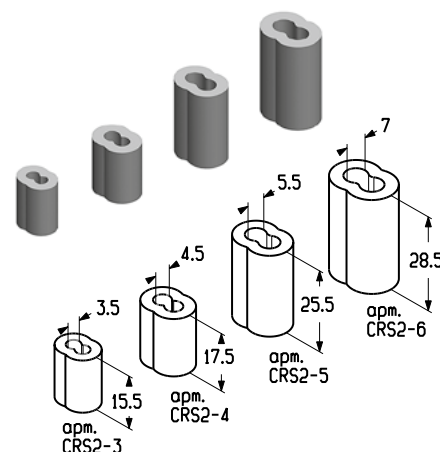
ТРОСЫ, КОУШИ, ЗАЖИМЫ

Зажим

Предназначен для заделки троса.

Материал алюминий
 Единица измерения шт.
 Норма поставки, шт. 1000

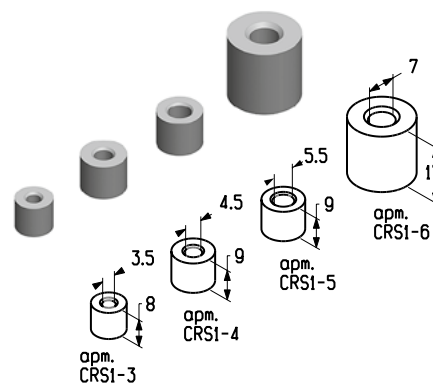
Артикул	Код	Диаметр троса, мм	Вес, кг/шт.
CRS2-3	403940000	3	0,003
CRS2-4	403940100	4	0,004
CRS2-5	403940200	5	0,007
CRS2-6	403940300	6	0,011

**Зажим**

Предназначен для заделки троса.

Материал алюминий
 Единица измерения шт.
 Норма поставки, шт. 1000

Артикул	Код	Диаметр троса, мм	Вес, кг/шт.
CRS1-3	403940400	3	0,001
CRS1-4	403940500	4	0,002
CRS1-5	403940600	5	0,002
CRS1-6	403940700	6	0,004



ШКИВЫ И КРОНШТЕЙНЫ ДЛЯ УСТАНОВКИ ТОРСИОННОГО ВАЛА



PB-3008GR(L)

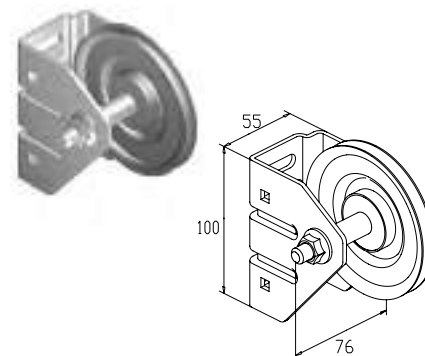


PB-3007IR(L)

Кронштейн шкива

Предназначен для установки троса Ø3, 4, 5 мм.
Используется в промышленных воротах низкого и наклонного низкого типов монтажа.

Внешний диаметр, мм	100
Материал	оцинкованная сталь
Вес, кг/шт.	0,629
Единица измерения	шт.
Норма поставки, шт.	50

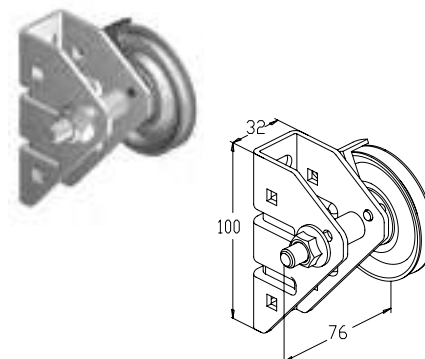


Артикул	Код	Применение
PB-3007IR	403410700	Правый
PB-3007IL	403410600	Левый

Кронштейн шкива

Предназначен для установки троса Ø3 мм.
Используется в гаражных воротах с торсионными пружинами низкого типа монтажа.

Внешний диаметр, мм	68
Материал	оцинкованная сталь
Вес, кг/шт.	0,490
Единица измерения	шт.
Норма поставки, шт.	50



Артикул	Код	Применение
PB-3008GR	403410500	Правый
PB-3008GL	403410400	Левый

ШКИВЫ И КРОНШТЕЙНЫ ДЛЯ УСТАНОВКИ ТОРСИОННОГО ВАЛА



Установка кронштейна шкива
на угловую стойку промышленных ворот



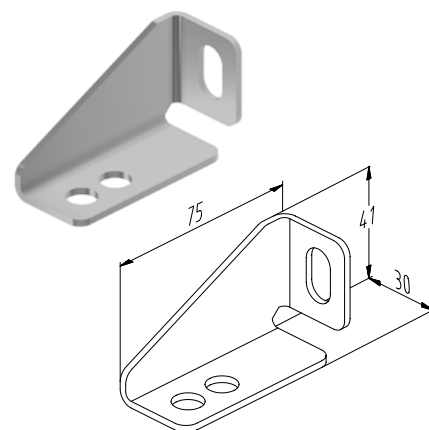
Установка кронштейна шкива
на угловую стойку гаражных ворот серии Prestige

Кронштейн шкива усиливающий

Применяется для усиления крепления шкива на угловой стойке в промышленных воротах низкого и наклонного низкого типов монтажа и гаражных воротах низкого типа монтажа.

Материал оцинкованная сталь
Вес, кг/шт. 0,083
Единица измерения шт.
Норма поставки, шт. 1

Артикул	Код
PB-3010	403410800

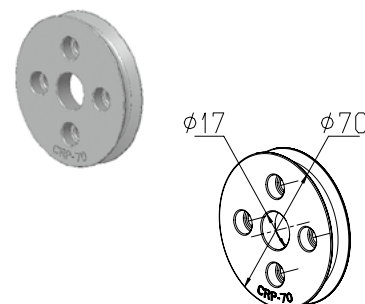


Шкив

Предназначен для установки троса.
Используется в промышленных воротах низкого типа монтажа с передним расположением вала (тип 2).

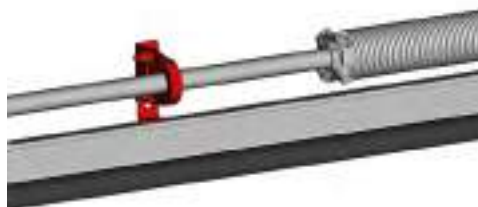
Материал стеклонаполненный полиамид
Внешний диаметр, мм 70
Вес, кг/шт. 0,041
Единица измерения шт.
Норма поставки, шт. 2

Артикул	Код
CRP-70	418700488



ШКИВЫ И КРОНШТЕЙНЫ ДЛЯ УСТАНОВКИ ТОРСИОННОГО ВАЛА

КРОНШТЕЙН ПРОМЕЖУТОЧНЫЙ



**Кронштейн промежуточный
(IBB-4501)**

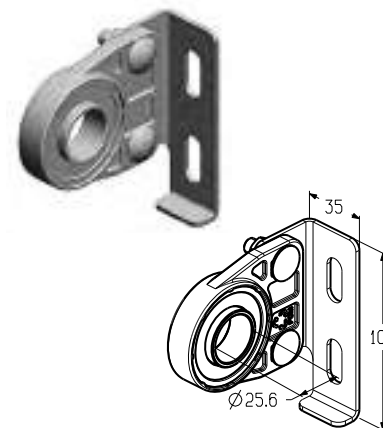


**Кронштейн промежуточный
(IBB-4502)**

Кронштейн промежуточный

Предназначен для установки торсионного вала.
Используется в гаражных воротах с торсионными пружинами стандартного типа монтажа шириной до 5000 мм.

Материал оцинкованная сталь+ПОМ
Вес, кг/шт. 0,326
Единица измерения шт.
Норма поставки, шт. 70

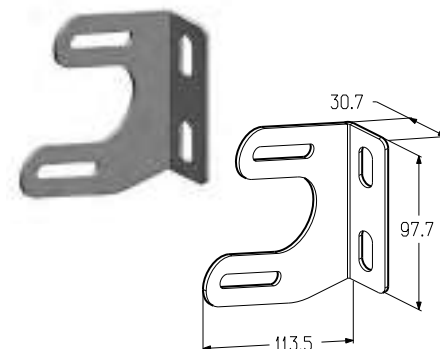


Артикул	Код
IBB-4501	403431100

Кронштейн промежуточный

Предназначен для установки торсионного вала. Устанавливается совместно с подшипником (BB0401) и корпусом подшипника (BR0400). Используется в гаражных воротах с торсионными пружинами стандартного типа монтажа шириной более 5000 мм.

Материал оцинкованная сталь
Вес, кг/шт. 0,170
Единица измерения шт.
Норма поставки, шт. 100



Артикул	Код
IBB-4502	403431200

ШКИВЫ И КРОНШТЕЙНЫ ДЛЯ УСТАНОВКИ ТОРСИОННОГО ВАЛА

Кронштейн промежуточный

Предназначен для установки торсионного вала.

Используется в гаражных воротах с торсионными пружинами низкого типа монтажа шириной до 5000 мм.

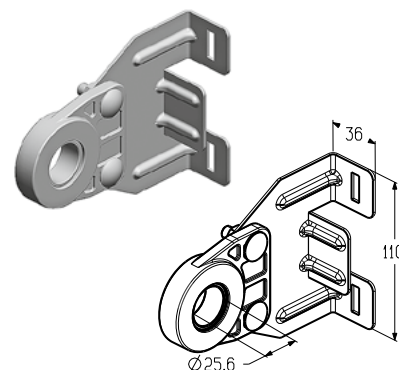
Материал оцинкованная сталь+ПОМ

Вес, кг/шт. 0,381

Единица измерения шт.

Норма поставки, шт. 40

Артикул	Код
TBV-4505	403431500



1.1

1.2

1.3

1.4

1.5

2

3

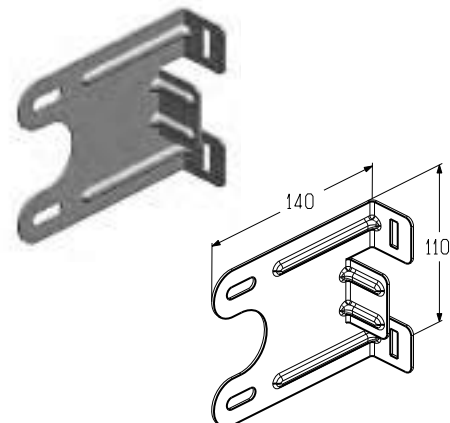
4

ШКИВЫ И КРОНШТЕЙНЫ ДЛЯ УСТАНОВКИ ТОРСИОННОГО ВАЛА

Кронштейн промежуточный

Предназначен для установки торсионного вала. Устанавливается совместно с подшипником (BV0401) и корпусом подшипника (BR0400). Используется в гаражных воротах с торсионными пружинами низкого типа монтажа шириной более 5000 мм.

Материал оцинкованная сталь
Вес, кг/шт. 0,255
Единица измерения шт.
Норма поставки, шт. 100

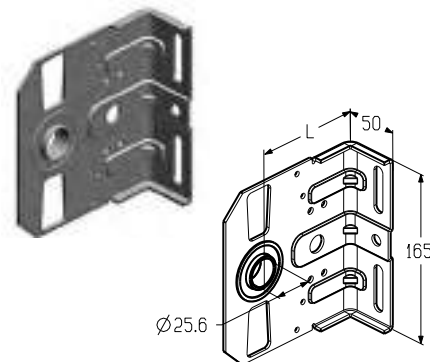


Артикул	Код
IBB-4510	403431200

Кронштейн промежуточный

Предназначен для установки торсионного вала. Используется в гаражных воротах высокого типа монтажа (IB-111M) и промышленных воротах всех типов монтажа.

Материал оцинкованная сталь
Диаметр вала, мм 25,4
Единица измерения шт.

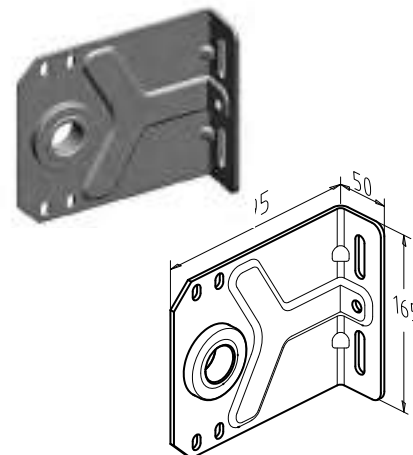


Артикул	Код	Размер (L), мм	Вес, кг/шт.	Норма поставки, шт.
IB-86M	403431900	86	0,762	30
IB-111M	403432000	111	0,681	
IB-127M	403432100	127	0,855	
IB-152M	403432200	152	1,211	20

Кронштейн промежуточный

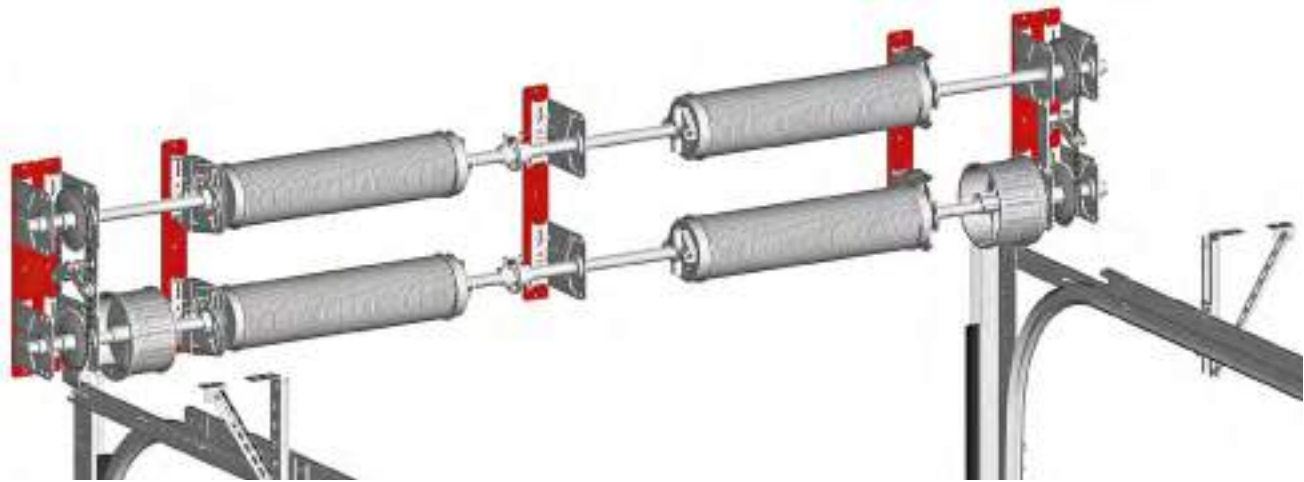
Предназначен для установки торсионного вала. Используется в промышленных воротах всех типов монтажа.

Материал оцинкованная сталь
Диаметр вала, мм 31,75
Вес, кг/шт. 1,168
Единица измерения шт.
Норма поставки, шт. 15



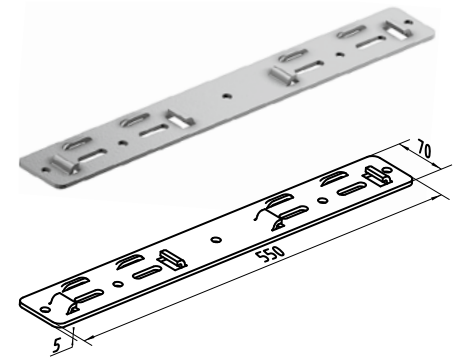
Артикул	Код
IB-152-5/4	403430600

УСТАНОВКА ПЛАСТИНЫ МОНТАЖНОЙ

**Пластина монтажная**

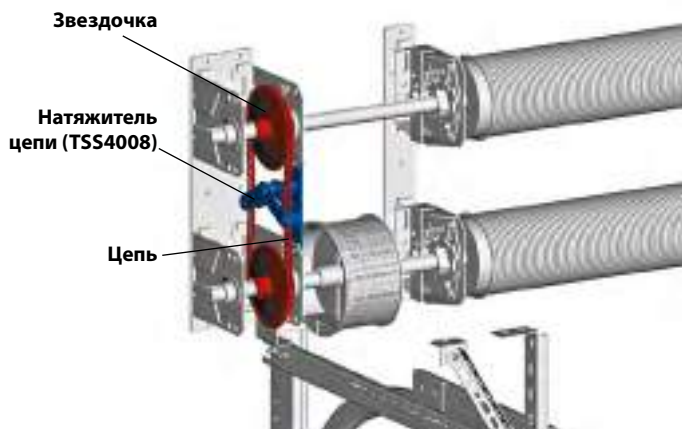
Предназначена для крепления муфты предохранительной храповой (SBD-TSS5/4L и SBD-TSS5/4R), кронштейна промежуточного (IB-152-5/4) к стене.
Используется в промышленных воротах всех типов монтажа с верхним расположением вала с двухвальной системой балансировки.

Материал Оцинкованная сталь
Вес, кг/шт. 1,440
Единица измерения шт.
Норма поставки, шт. 16

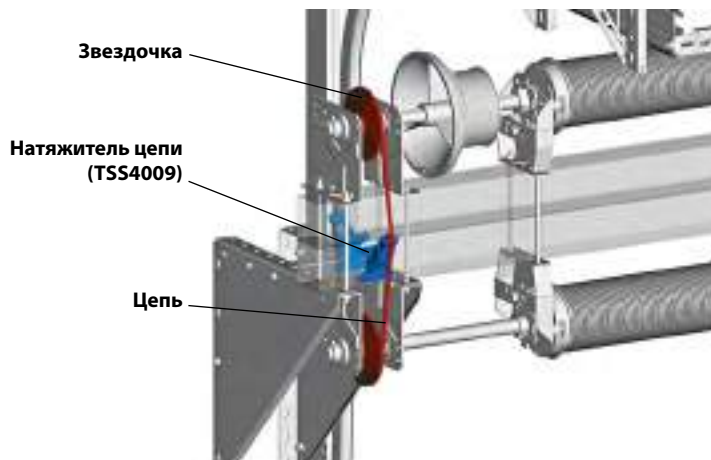


Артикул	Код
TSS4004	403901100

ШКИВЫ И КРОНШТЕЙНЫ ДЛЯ УСТАНОВКИ ТОРСИОННОГО ВАЛА



Верхнее расположение вала

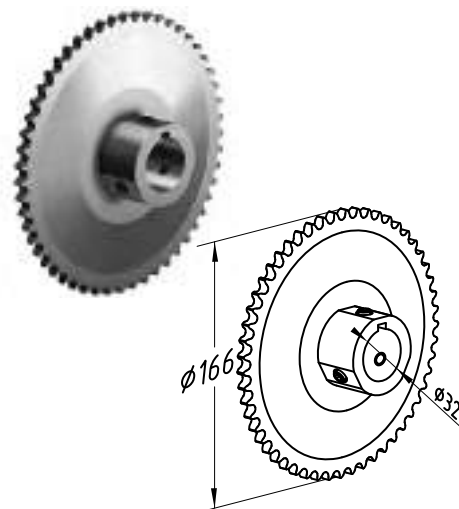


Нижнее расположение вала

Звездочка

Предназначена для передачи крутящего момента между двумя валами.
Используется в промышленных воротах всех типов монтажа с двухвальной системой балансировки.

Материал оксидированная сталь
Вес, кг/шт. 2,100
Единица измерения шт.
Норма поставки, шт. 168

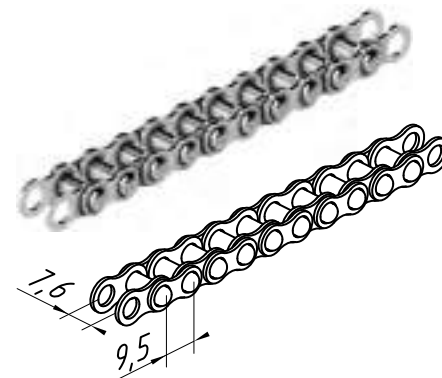


Артикул	Код
TSS4005	403901200

Цепь

Предназначена для передачи крутящего момента между двумя валами.
Используется в промышленных воротах всех типов монтажа с двухвальной системой балансировки.

Материал оцинкованная сталь
Единица измерения шт.



Артикул	Код	Длина цепи, мм	Примечание	Вес, кг/шт.	Норма поставки, шт.
TSS4006	403901300	1133	С верхним расположением вала	0,300	50
TSS4007	403901400	1514	С нижним расположением вала	0,400	40

ШКИВЫ И КРОНШТЕЙНЫ ДЛЯ УСТАНОВКИ ТОРСИОННОГО ВАЛА

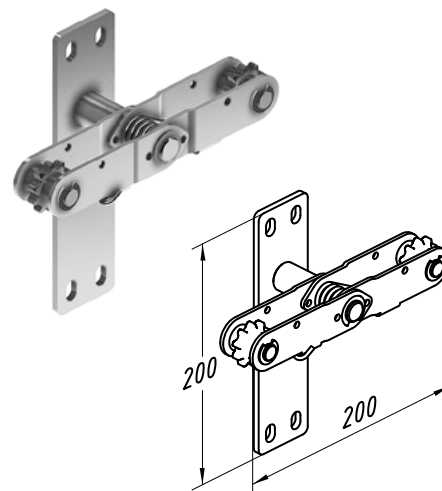
Натяжитель цепи

Предназначен для натяжения цепи (TSS4006, TSS4007).

Используется в промышленных воротах стандартного, наклонного, высокого, вертикального, наклонного высокого типов монтажа с верхним расположением вала с двухвальной системой балансировки.

Вес, кг/шт. 1,050
Единица измерения шт.
Норма поставки, шт. 21

Артикул	Код
TSS4008	403901500



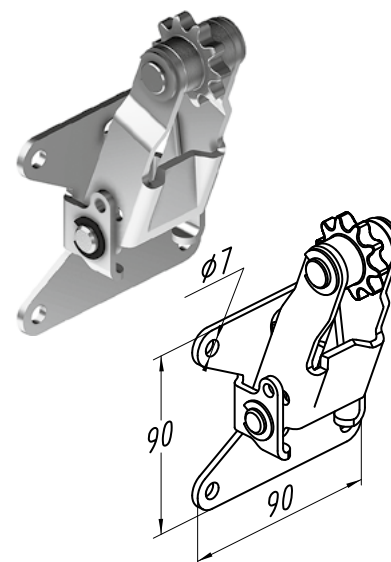
Натяжитель цепи

Предназначен для натяжения цепи (TSS4006, TSS4007).

Используется в промышленных воротах высокого, наклонного высокого и вертикального типов монтажа с нижним расположением вала с двухвальной системой балансировки.

Вес, кг/шт. 0,380
Единица измерения шт.
Норма поставки, шт. 56

Артикул	Код
TSS4009	403901600



ШКИВЫ И КРОНШТЕЙНЫ ДЛЯ УСТАНОВКИ ТОРСИОННОГО ВАЛА



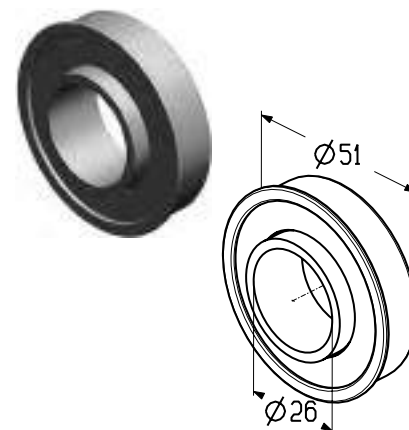
Подшипник

Предназначен для установки совместно с корпусом подшипника (BR0400).

Используется:

- в гаражных воротах с торсионными пружинами стандартного и низкого типов монтажа;
- в промышленных воротах низкого типа монтажа с передним расположением вала (тип 2).

Вес, кг/шт. 0,112
Единица измерения шт.
Норма поставки, шт. 200



Артикул	Код
BB0401	403910000

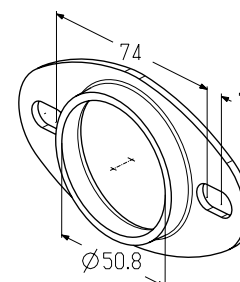
Корпус подшипника

Предназначен для установки совместно с подшипником (BB0401).

Используется:

- в гаражных воротах с торсионными пружинами стандартного и низкого типов монтажа;
- в промышленных воротах низкого типа монтажа с передним расположением вала (тип 2).

Материал оцинкованная сталь
Вес, кг/шт. 0,118
Единица измерения шт.
Норма поставки, шт. 200



Артикул	Код
BR0400	403920000

ШКИВЫ И КРОНШТЕЙНЫ ДЛЯ УСТАНОВКИ ТОРСИОННОГО ВАЛА

Подшипник

Применяется совместно с корпусом **BR0400**.

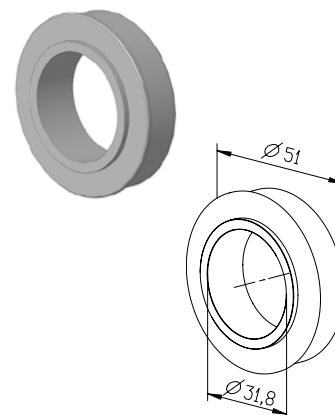
Используется в промышленных воротах низкого типа монтажа с передним расположением вала (тип 2).

Вес, кг/шт. 0,064

Единица измерения шт.

Норма поставки, шт. 1

Артикул	Код
BB4011	418700505



1.1

1.2

1.3

1.4

1.5

2

3

4

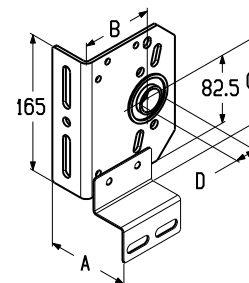
ШКИВЫ И КРОНШТЕЙНЫ ДЛЯ УСТАНОВКИ ТОРСИОННОГО ВАЛА



Кронштейн боковой левой/правый

Предназначен для крепления торсионного вала к проему и профилю угловому.
Применяется для промышленных ворот с одновальной системой балансировки.

Диаметр вала, мм 25,4
 Материал оцинкованная сталь
 Единица измерения шт.
 Норма поставки, шт. 15



Артикул	Код	Основные размеры			Диаметр вала, мм	Вес, кг/шт.	Примечание
		A, мм	B*, мм	C, мм			
TBI510ML	403422900	93	86	72,5	25,40	0,905	• для промышленных ворот стандартного и наклонного типов монтажа
TBI510MR	403423000						
TBI520ML	403423100	93	111	72,5	25,40	0,932	
TBI520MR	403423200						
TBI530ML	403423300	93	111	82,5	25,40	0,932	
TBI530MR	403423400						
TBI560ML	403423500	93	127	142,5	25,40	1,056	
TBI560MR	403423600						
TBI580L	403422300	93	152	142,5	31,75	1,550	
TBI580R	403422400						
TBI540ML	403423700	93	111	105,5	25,40	0,932	• для гаражных ворот высокого типа монтажа; • для промышленных ворот стандартного, наклонного типов монтажа, наклонного высокого с верхним расположением вала, высокого с верхним расположением вала типов монтажа
TBI540MR	403423800						
TBI550ML	403423900	113	127	124,5	25,40	1,049	• для гаражных ворот высокого типа монтажа; • для промышленных ворот высокого, наклонного высокого, вертикального типов монтажа с верхним расположением вала
TBI550MR	403424000						
TBI570ML	403424100	128	152	144,5	25,40	1,455	• для промышленных ворот высокого, наклонного высокого, вертикального типов монтажа с верхним расположением вала
TBI570MR	403424200						
TBI590L	403422500	128	152	144,5	31,75	1,590	
TBI590R	403422600						

* Расстояние от стены до оси вала.

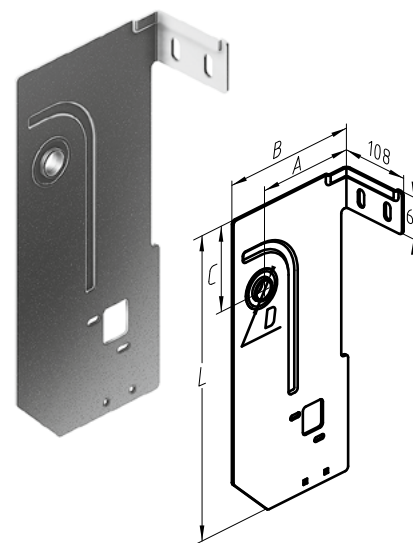
ШКИВЫ И КРОНШТЕЙНЫ ДЛЯ УСТАНОВКИ ТОРСИОННОГО ВАЛА

Кронштейн опорный для вала

Предназначен для крепления торсионного вала к проему и профилю угловому.
Используется в промышленных воротах низкого с передним расположением вала типом монтажа с одновальной системой балансировки.

Материал оцинкованная сталь
Единица измерения шт.
Норма поставки, шт. 20

Артикул	Код	Вес, кг/шт.	Основные размеры				Диаметр (d), мм
			A	B	C	L	
TBI-600R	403424400	1,212	86	125	80	330	25,6
TBI-600L	403424300						
TBI-610R	403424600	1,616	111	150	115	425	25,6
TBI-610L	403424500						
TBI-630R	406136698	2,222	152	200	115	435	25,6
TBI-630L	406136697						
TBI-640R	406136700	2,222	152	200	115	435	31,75
TBI-640L	406136699						

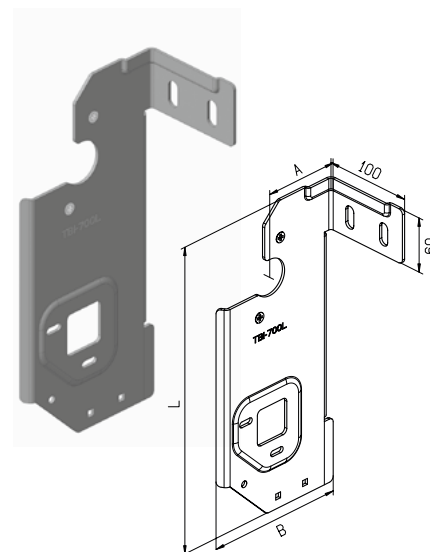


Кронштейн опорный для вала

Предназначен для установки торсионного вала.
Применяется в промышленных воротах низкого типа монтажа с передним расположением вала (тип 2).

Материал оцинкованная сталь
Единица измерения шт.

Артикул	Код	Вес, кг/шт.	Основные размеры			Норма поставки, шт.
			A	B	L	
TBI-700L	406136806	1,075	86	149	340	16
TBI-700R	406136807	1,075	86	149	340	16
TBI-710L	406136808	1,225	111	159	355	10
TBI-710R	406136809	1,225	111	159	355	10
TBI-730L	406136810	1,914	152	204	435	10
TBI-730R	406136811	1,914	152	204	435	10



ШКИВЫ И КРОНШТЕЙНЫ ДЛЯ УСТАНОВКИ ТОРСИОННОГО ВАЛА

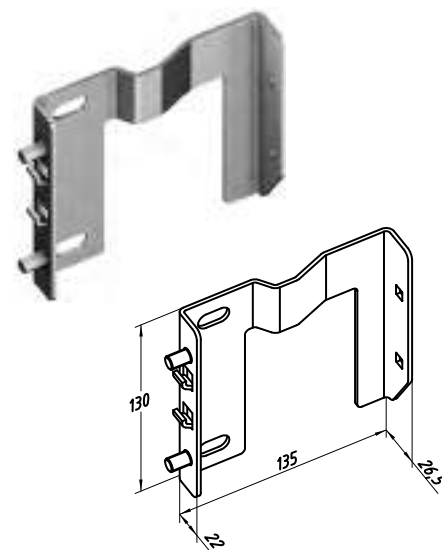


Кронштейн

Предназначен для соединения предохранительной храповой муфты (SBD-TL, SBD-TR) и профиля углового (PRG02NL/R, PRG02N).

Используется в гаражных воротах стандартного типа монтажа.

Материал оцинкованная сталь
 Вес, кг/шт. 0,311
 Единица измерения шт.
 Норма поставки, шт. 72



Артикул	Код
TBG816L	406136715
TBG816R	406136716

ШКИВЫ И КРОНШТЕЙНЫ ДЛЯ УСТАНОВКИ ТОРСИОННОГО ВАЛА

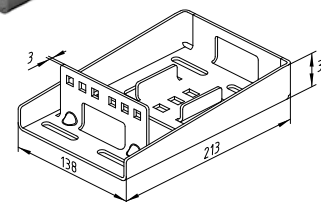
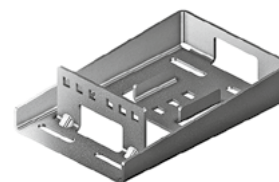


Кронштейн

Предназначен для соединения горизонтальных направляющих с мерной планкой и для крепления торсионного вала.

Используется в промышленных воротах низкого и наклонного низкого типов монтажа с одновальной системой балансировки.

Материал Оцинкованная сталь
Вес, кг/шт. 0,875
Единица измерения шт.
Норма поставки, шт. 18



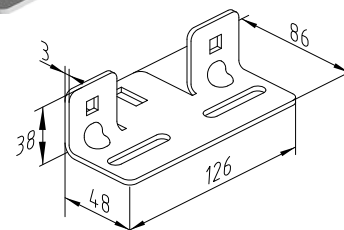
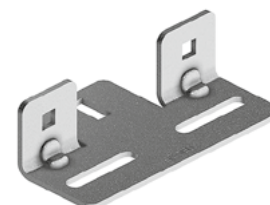
Артикул	Код
TBI915	403422700

Кронштейн

Предназначен для крепления бокового кронштейна и телескопического подвеса к мерной планке.

Используется в промышленных воротах низкого и наклонного низкого типов монтажа с одновальной системой балансировки.

Материал Оцинкованная сталь
Вес, кг/шт. 0,230
Единица измерения шт.
Норма поставки, шт. 120



Артикул	Код
TBI925	403422800

ШКИВЫ И КРОНШТЕЙНЫ ДЛЯ УСТАНОВКИ ТОРСИОННОГО ВАЛА

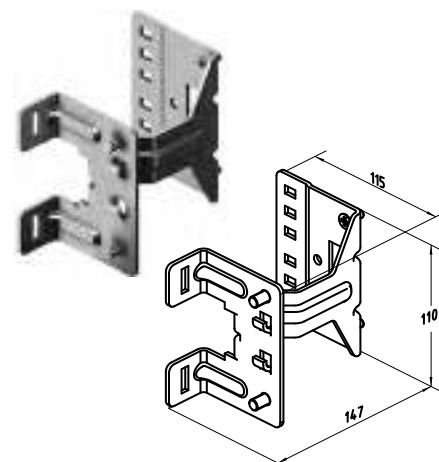


Кронштейн

Предназначен для крепления торсионного вала к мерной планке.
Используется в гаражных воротах с торсионными пружинами низкого типа монтажа.

Материал Оцинкованная сталь
Вес, кг/шт. 0,545
Единица измерения шт.
Норма поставки, шт. 20

Артикул	Код
TBP-916L	406136717
TBP-916R	406136716

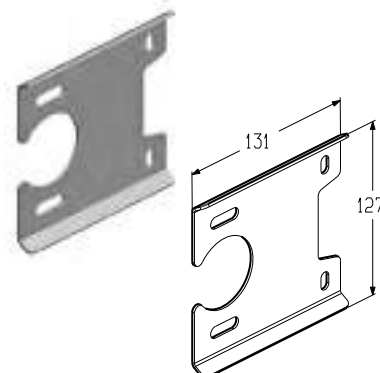


Кронштейн боковой

Предназначен для установки торсионного вала.
Применяется в гаражных воротах с торсионными пружинами низкого типа монтажа.

Материал Оцинкованная сталь
Вес, кг/шт. 0,158
Единица измерения шт.
Норма поставки, шт. 100

Артикул	Код
TBT-4503	403431300



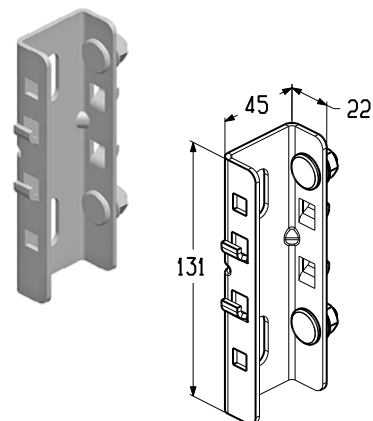
ШКИВЫ И КРОНШТЕЙНЫ ДЛЯ УСТАНОВКИ ТОРСИОННОГО ВАЛА

Кронштейн промежуточный

Предназначен для крепления муфты храповой предохранительной (SBD-TR/SBD-TL) к проему.
Применяется в гаражных воротах с торсионными пружинами в количестве 3 и более при стандартном типе монтажа.

Материал оцинкованная сталь
Вес, кг/шт. 0,248
Единица измерения шт.
Норма поставки, шт. 108

Артикул	Код
IB-4508	403431700

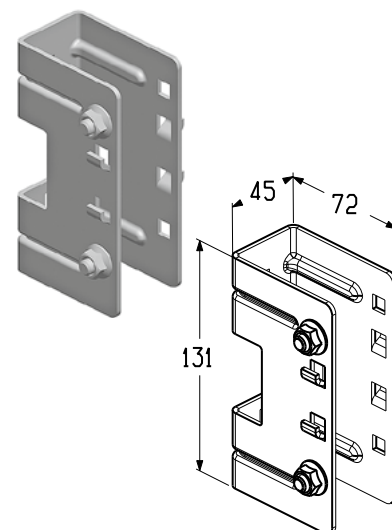


Кронштейн промежуточный

Предназначен для крепления муфты храповой предохранительной (SBD-TR/SBD-TL) к мерной планке.
Применяется в гаражных воротах с торсионными пружинами в количестве 3 и более при низком типе монтажа.

Материал оцинкованная сталь
Вес, кг/шт. 0,397
Единица измерения шт.
Норма поставки, шт. 48

Артикул	Код
IB-4509	403431800



ШПОНКИ И КОЛЬЦА СТОПОРНЫЕ



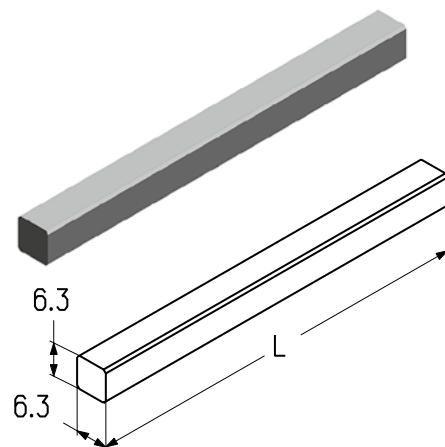
Шпонка

Предназначена для установки на вал сплошной (TSS, TSS-5/4).

Материал оцинкованная сталь

Единица измерения шт.

Артикул	Код	Длина, мм	Вес, кг/шт.	Применение	Норма поставки, шт.
SKS-38	403970000	38	0,015	Устанавливается в храповую и соединительную муфты	1000
SKS-75	403970100	75	0,026	Устанавливается в барабан и наконечник пружинный (SF-95, SF-152, SF-152-5/4)	800



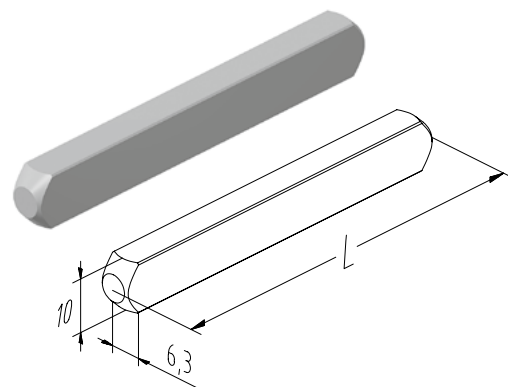
Шпонка

Предназначена для установки на вал пустотелый (TSH).

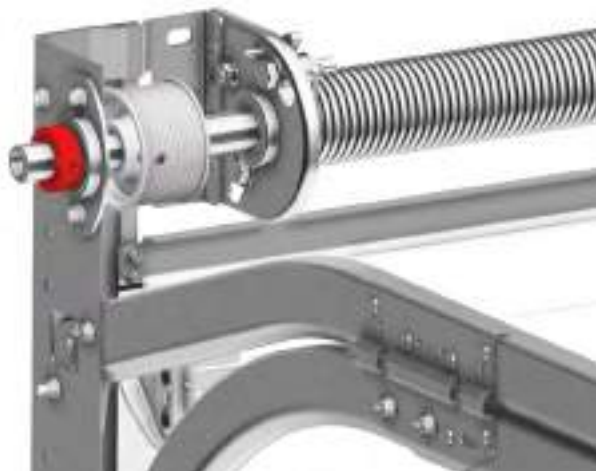
Материал оцинкованная сталь

Единица измерения шт.

Артикул	Код	Длина, мм	Вес, кг/шт.	Применение	Норма поставки, шт.
SKH-38	403970200	38	0,017	Устанавливается в храповую и соединительную муфты	1200
SKH-75x10	418700327	75	0,036	Устанавливается в барабан и наконечник пружинный (SF-95, SF-152, SF-152-5/4)	600

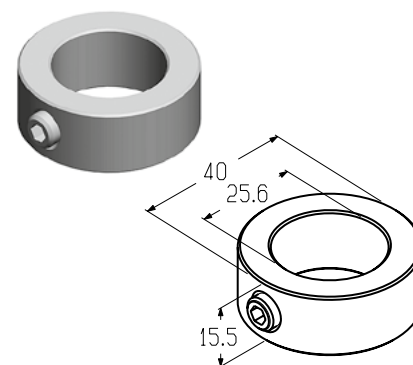


ШПОНКИ И КОЛЬЦА СТОПОРНЫЕ

**Кольцо**

Предназначено для установки на вал диаметром 25,4 мм промышленных ворот всех типов монтажа с одновальным системой балансировки.
Предотвращает осевое смещение вала.

Материал оцинкованная сталь
Вес, кг/шт. 0,090
Единица измерения шт.
Норма поставки, шт. 200

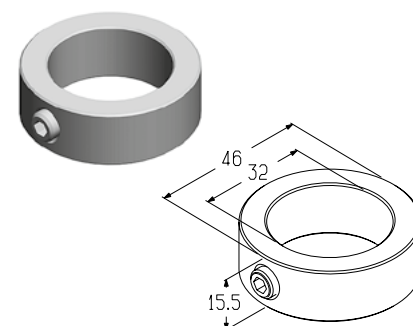


Артикул	Код
SCI-1	403960000

Кольцо

Предназначено для установки на вал диаметром 31,75 мм промышленных ворот всех типов монтажа с одновальным и двухвальным системами балансировки.
Предотвращает осевое смещение вала.

Материал оцинкованная сталь
Вес, кг/шт. 0,100
Единица измерения шт.
Норма поставки, шт. 100



Артикул	Код
SCI-5/4	403960100

2

Дополнительная
комплектация

УСТАНОВКА КОЛЕЦ ДИСТАНЦИОННЫХ

КОЛЬЦО ДИСТАНЦИОННОЕ DR-12



Кронштейн нижний



Кронштейн боковой

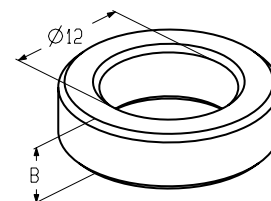
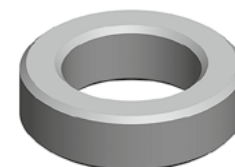
Кольцо дистанционное

Предназначено для установки на ролики ходовые кронштейна верхнего (RBI-45.127) и кронштейнов нижних (RBI446L/R, RBI446ML/MR).

Используется:

- в гаражных воротах высокого типа монтажа;
- в промышленных воротах всех типов монтажа.

Внутренний диаметр, мм 12
 Материал оцинкованная сталь
 Единица измерения шт.
 Норма поставки, шт. 200

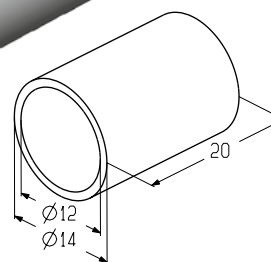
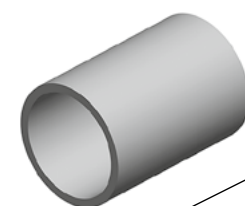


Артикул	Код	Ширина (B), мм	Вес, кг/шт.
DR-12-05	403960600	5	0,004
DR-12-07	403960700	7	0,006
DR-12-10	403960800	10	0,008

Втулка

Предназначена для предохранения троса от истирания. Устанавливается на ролики ходовые первого и второго снизу кронштейна бокового (RBI123). Используется в промышленных воротах высокого, вертикального, наклонного высокого типов монтажа с нижним расположением вала.

Материал ПВХ
 Вес, кг/шт. 0,154
 Единица измерения шт.
 Норма поставки, шт. 50



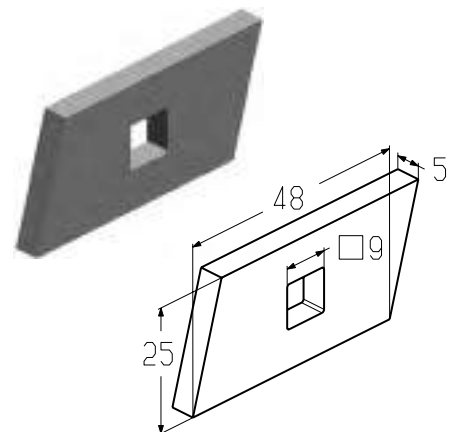
Артикул	Код
I0500	403900000

Пластина закладная

Предназначена:

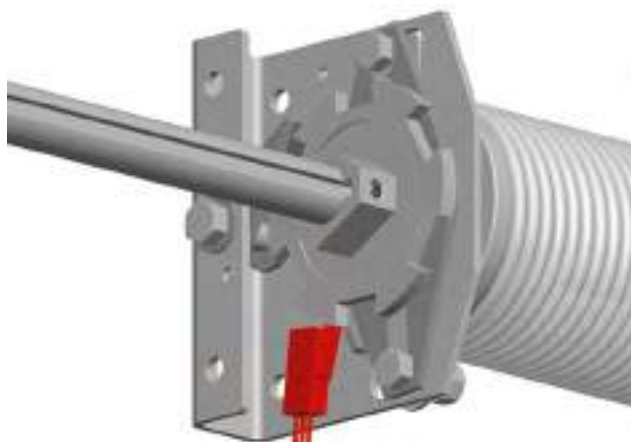
- для крепления демпфера к горизонтальным направляющим в промышленных воротах всех типов монтажа;
- для крепления блока (НКУ001) в гаражных воротах всех типов монтажа, промышленных воротах всех типов монтажа, кроме вертикального, высокого, наклонного с нижним расположением вала.

Материал оцинкованная сталь
 Вес, кг/шт. 0,043
 Единица измерения шт.
 Норма поставки, шт. 100



Артикул	Код
CP0506	403900100

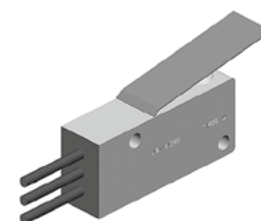
УСТАНОВКА ДАТЧИКОВ БЕЗОПАСНОСТИ



Микрореле

Предназначено для остановки электропривода при поломке пружины. Устанавливается совместно с муфтой храповой предохранительной. Используется в промышленных воротах всех типов монтажа.

Вес, кг/шт. 0,023
 Единица измерения шт.
 Норма поставки, шт. 50



Артикул	Код
SS0402	403900200

1.1

1.2

1.3

1.4

1.5

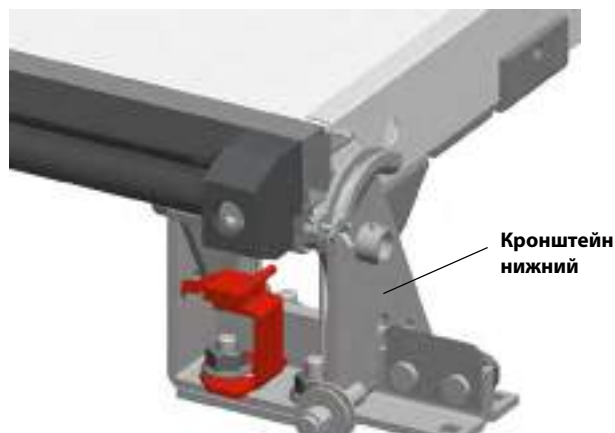
2

3

4

УСТАНОВКА ДАТЧИКОВ БЕЗОПАСНОСТИ

РЕЛЕ SS446L/R



Реле

Предназначено для остановки электропривода при обрыве троса. Устанавливается совместно с кронштейном нижним (RBI446L/R, RBI446ML/R, RBI-45.110DL/R, RBI-45.120DL/R, RBI-45.200L/R). Используется в промышленных воротах всех типов монтажа.

Вес, кг/шт. 0,042
Единица измерения шт.
Норма поставки, шт. 25



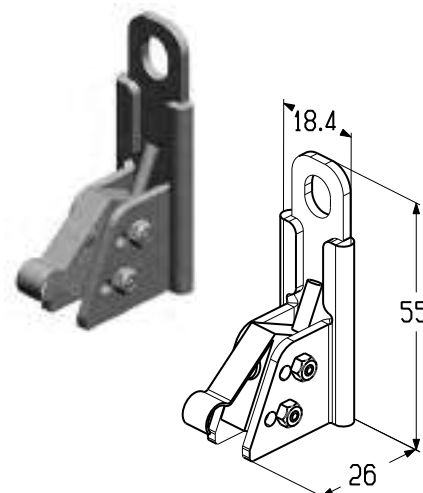
Артикул	Код	Материал
SS446L	403900300	Левый
SS446R	403900400	Правый

Реле

Предназначено для остановки электропривода при обрыве троса. Устанавливается совместно с кронштейном нижним (RBI-45.100L/R). Используется в промышленных воротах всех типов монтажа (кроме низкого с передним расположением вала (тип 2)).

Вес, кг/шт. 0,037
Единица измерения шт.
Норма поставки, шт. 1

Артикул	Код
SS-45.100	418700330



УСТАНОВКА ДАТЧИКОВ БЕЗОПАСНОСТИ

Микрореле

Предназначено для остановки электропривода при обрыве троса. Устанавливается совместно с кронштейном нижним RBI-45.130L/RBI-45.130R. Используется в промышленных воротах всех типов монтажа (кроме низкого с передним расположением вала (тип 2)).

Вес, кг/шт. 0,030
Единица измерения шт.
Норма поставки, шт. 1

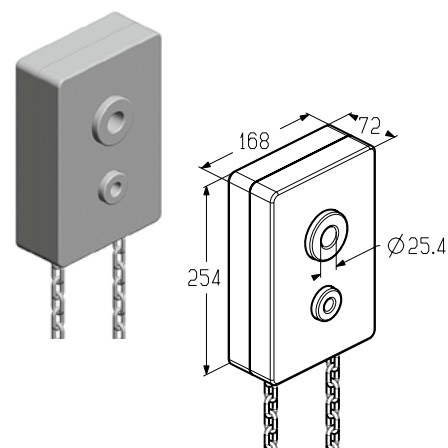
Артикул	Код
SS0410	418700438

**Редуктор цепной**

Предназначен для подъема/опускания полотна ворот.
Используется в промышленных воротах всех типов монтажа.

Вес, кг/шт. 9,00
Единица измерения шт.
Норма поставки, шт. 1

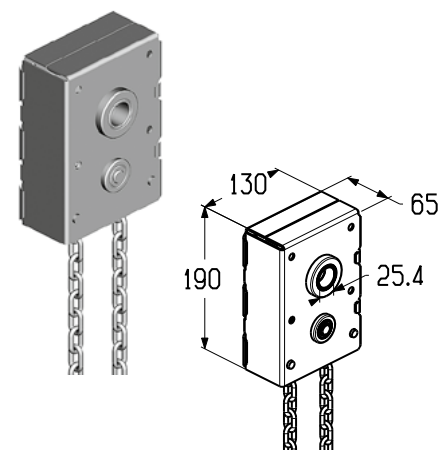
Артикул	Код
CH-5010	418700449

**Редуктор цепной**

Предназначен для подъема/опускания полотна ворот.
Используется в гаражных воротах всех типов монтажа (кроме пружин растяжения).

Вес, кг/шт. 5,80
Единица измерения шт.
Норма поставки, шт. 1

Артикул	Код
CH-5013	403903000

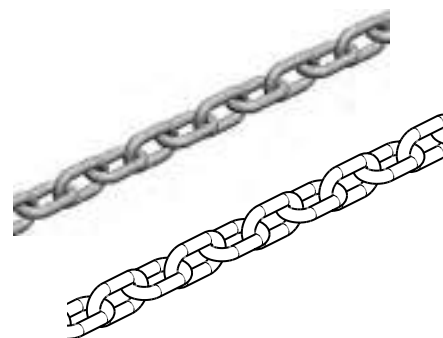


Цепь

Предназначена для удлинения цепи редуктора цепного (CH-5010, CH-5013).
Используется в промышленных и гаражных воротах всех типов монтажа.

Материал оцинкованная сталь
Вес, кг/м 0,50
Единица измерения м
Норма поставки, м 25

Артикул	Код
C0504	418700477



Веревка

Предназначена для опускания полотна ворот.
Используется в гаражных и промышленных воротах всех типов монтажа.

Вес, кг/м 0,04
Единица измерения м
Норма поставки, м 250

Артикул	Код
105610	4000607

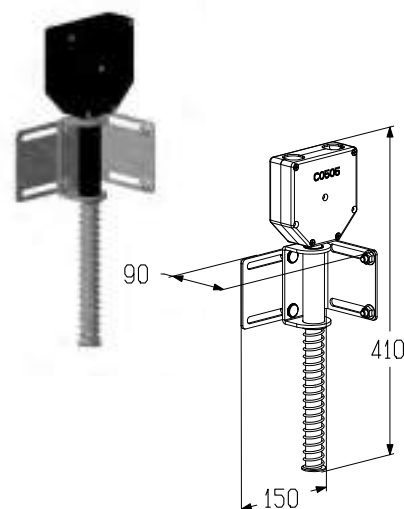


Натяжитель цепи

Предназначен для фиксации положения цепи с целью исключения ее попадания в подвижные рабочие узлы и повышения безопасности эксплуатации ворот. Применяется совместно с редуктором для гаражных (CH-5013) и промышленных (CH-5010) ворот.

Материал оцинкованная сталь
Вес, кг/шт. 1,40
Единица измерения шт.
Норма поставки, м 1

Артикул	Код
C0505	418700422



УСТАНОВКА БЛОКА

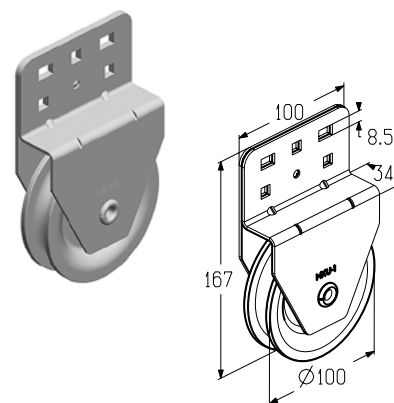


Блок

Предназначен для подъема/опускания полотна ворот.
Используется в гаражных и промышленных воротах всех типов монтажа.

Вес, кг/шт. 0,61
Единица измерения шт.
Норма поставки, шт. 10

Артикул	Код
HKU001	403900800



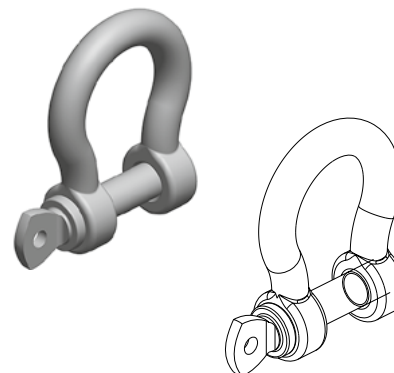
Петля

Предназначена для крепления веревки (105610) к профилю угловому.
Используется:

- в гаражных воротах высокого типа монтажа;
- в промышленных воротах всех типов монтажа, кроме низкого и наклонного низкого.

Материал оцинкованная сталь
Вес, кг/шт. 0,04
Единица измерения шт.
Норма поставки, шт. 100

Артикул	Код
S0504	403900900

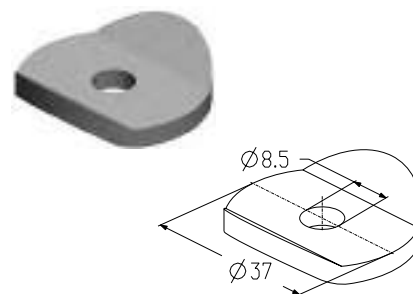


Крепление

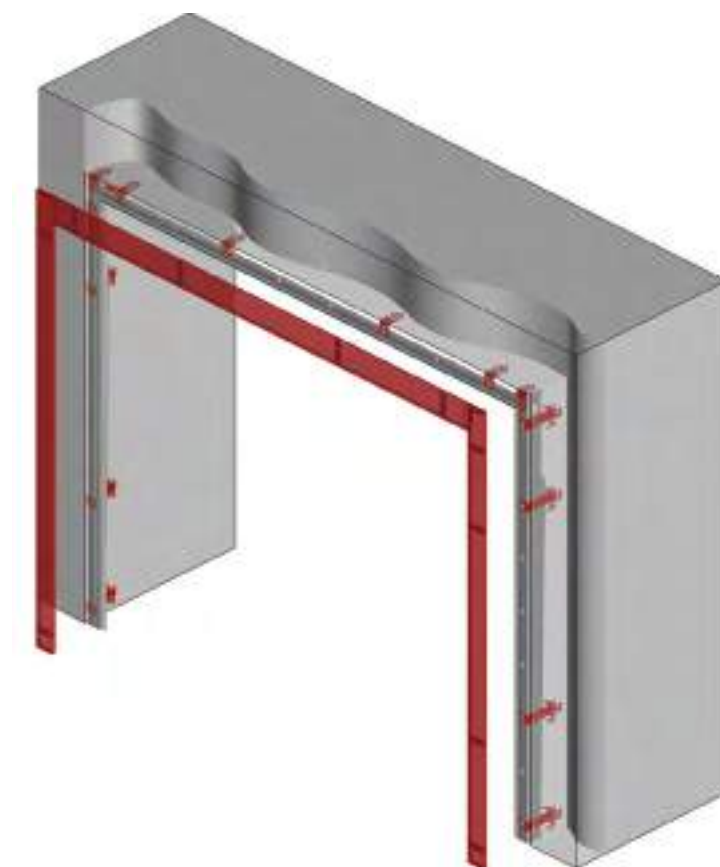
Предназначено для крепления веревки (105610) к кронштейну нижнему.
Используется в промышленных воротах всех типов монтажа.

Материал Оцинкованная сталь
Вес, кг/шт. 0,04
Единица измерения шт.
Норма поставки, шт. 100

Артикул	Код
RC0505	403901000



УСТАНОВКА КОМПЛЕКТА ВСТРОЕННОГО МОНТАЖА (МОНТАЖ В ПРОЕМ)



Комплект кронштейнов

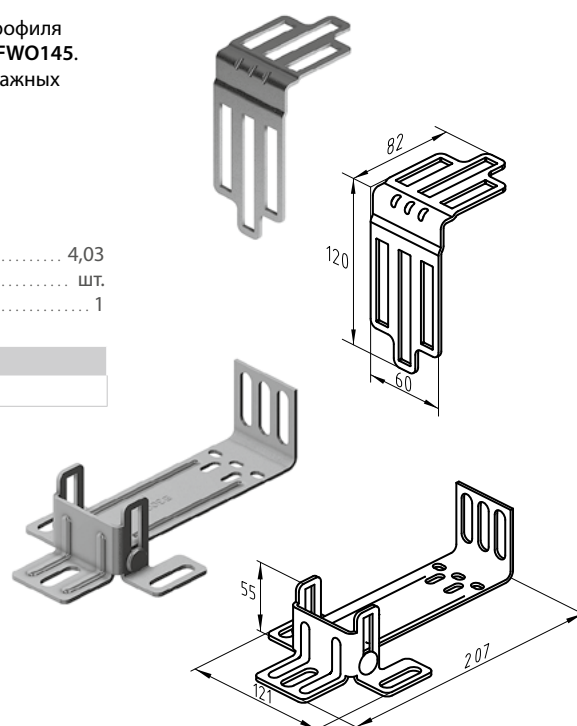
Предназначен для крепления углового профиля (PRG32LL/R, PRG02SL/R, PRG02LL/R) и профиля переднего (PRG05) к проему. Входит в состав комплекта встроенного монтажа FWO100 и FWO145. Используется в гаражных воротах с торсионными пружинами низкого типа монтажа и гаражных воротах с пружинами растяжения.

Состав комплекта:

- кронштейн для крепления углового профиля (8 шт.);
- кронштейн для крепления профиля переднего (6 шт.).

Вес, кг/шт. 4,03
 Единица измерения шт.
 Норма поставки, шт. 1

Артикул	Код
FWO100/145B	402950700



УСТАНОВКА КОМПЛЕКТА ВСТРОЕННОГО МОНТАЖА (МОНТАЖ В ПРОЕМ)

Комплект крепежный

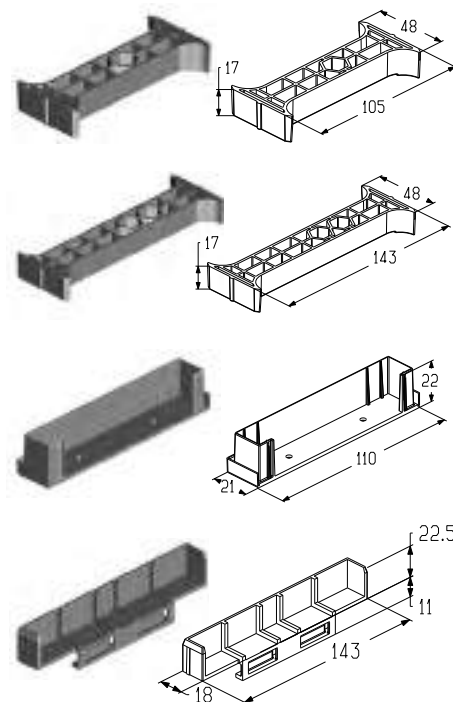
Предназначен для крепления комплекта нащельников (FWO100C) к угловому профилю (PRG32LL/R, PRG02SL/R, PRG02LL/R). Входит в состав комплекта встроенного монтажа FWO100. Используется в гаражных воротах с торсионными пружинами низкого типа монтажа и гаражных воротах с пружинами растяжения.

Состав комплекта:

- сухарь для крепления боковых нащельников (8 шт.);
- сухарь для крепления профиля переднего (4 шт.);
- заглушка для нащельников (4 шт.);
- заглушка для верхнего нащельника (2 шт.).

Вес, кг/шт. 0,53
Единица измерения шт.
Норма поставки, шт. 1

Артикул	Код
FWO100F	402950800



Комплект крепежный

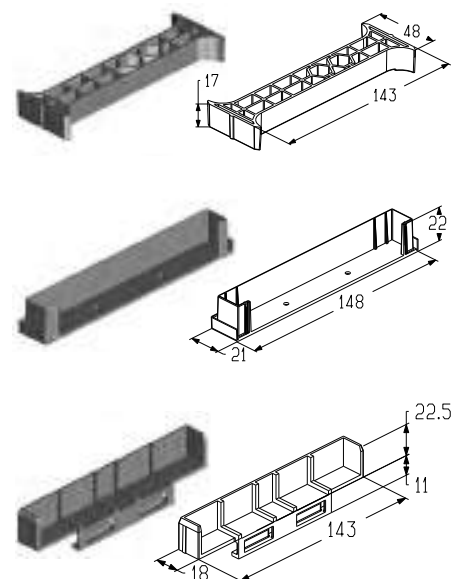
Предназначен для крепления комплекта нащельников (FWO145C) к угловому профилю (PRG32LL/R, PRG02SL/R, PRG02LL/R). Входит в состав комплекта встроенного монтажа FWO145. Используется в гаражных воротах с торсионными пружинами низкого типа монтажа и гаражных воротах с пружинами растяжения.

Состав комплекта:

- сухарь для крепления верхнего и боковых нащельников (12 шт.);
- заглушка для нащельников (4 шт.);
- заглушка для верхнего нащельника (2 шт.).

Вес, кг/шт. 0,58
Единица измерения шт.
Норма поставки, шт. 1

Артикул	Код
FWO145F	402951200



УСТАНОВКА КОМПЛЕКТА ВСТРОЕННОГО МОНТАЖА (МОНТАЖ В ПРОЕМ)

Комплект нащельников

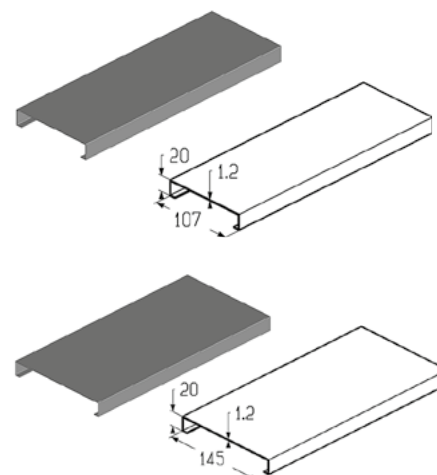
Предназначен для установки совместно с угловым профилем (PRG32LL/R, PRG02SL/R, PRG02LL/R).
Входит в состав комплекта встроенного монтажа **FWO100**. Используется в гаражных воротах с торсионными пружинами низкого типа монтажа и гаражных воротах с пружинами растяжения.

Состав комплекта:

- профиль воротный арт. **PRD33** (боковой нащельник 2 шт.);
- профиль воротный арт. **PRD34** (верхний нащельник 1 шт.).

Материал алюминий
 Покрытие полимерное
 Цвет RAL 9016, RAL 8017, RAL 8014, ADS703
 Единица измерения К-Т
 Норма поставки, к-т 1

Артикул	Код
FWO100C	402950900



Комплект нащельников

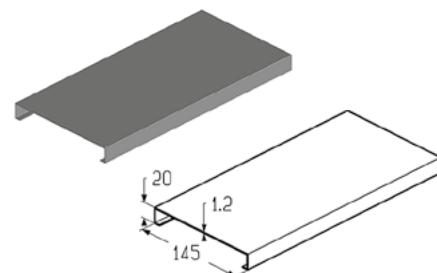
Предназначен для установки совместно с угловым профилем (PRG32LL/R, PRG02SL/R, PRG02LL/R).
Входит в состав комплекта встроенного монтажа **FWO145**. Используется в гаражных воротах с торсионными пружинами низкого типа монтажа и гаражных воротах с пружинами растяжения.

Состав комплекта:

- профиль воротный арт. **PRD34** (верхний нащельник 1 шт., боковой нащельник 2 шт.).

Материал алюминий
 Покрытие полимерное
 Цвет RAL 9016, RAL 8017, RAL 8014, ADS703
 Единица измерения К-Т
 Норма поставки, к-т 1

Артикул	Код
FWO145C	402951300

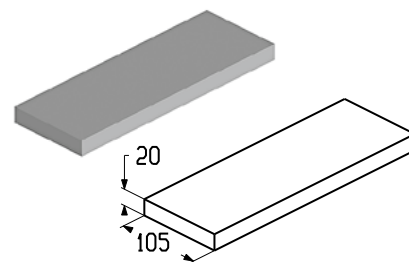


Утеплитель

Предназначен для установки совместно с комплектом нащельников (**FWO100C**).

Материал вспененный полиэтилен
 Вес, кг/м 0,07
 Единица измерения м
 Норма поставки, м 50

Артикул	Код
FWO100H	402951700

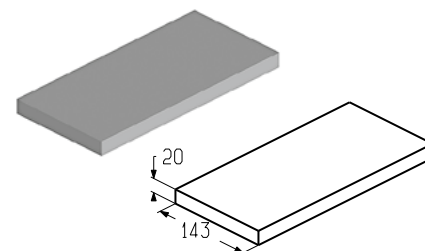


Утеплитель

Предназначен для установки совместно с комплектом нащельников (**FWO145C**).

Материал вспененный полиэтилен
 Вес, кг/м 0,10
 Единица измерения м
 Норма поставки, м 50

Артикул	Код
FWO145H	402951800

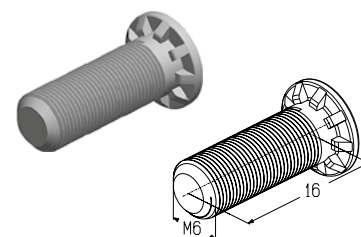


З

Метизы

Болт М6×16

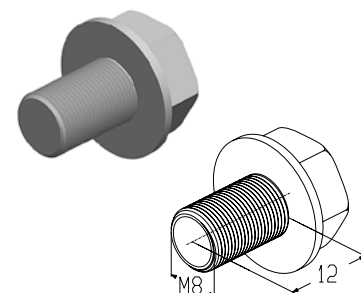
Резьба	M6
Длина, мм	16
Материал	оцинкованная сталь
Вес, кг/шт.	0,007
Единица измерения	шт.
Норма поставки, шт.	5000



Артикул	Код
M6x16BP	408320100

Болт

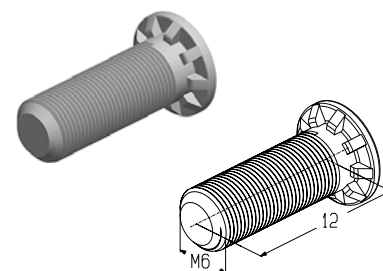
Резьба	M8
Длина, мм	12
Материал	оцинкованная сталь
Вес, кг/шт.	0,001
Единица измерения	шт.
Норма поставки, шт.	1800



Артикул	Код
M8x12B	408320300

Пресс-болт

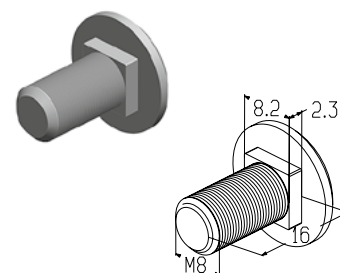
Резьба	M6
Длина, мм	12
Материал	оцинкованная сталь
Вес, кг/шт.	0,024
Единица измерения	шт.
Норма поставки, шт.	10 000



Артикул	Код
M6x12BP	408320500

Болт М8×16

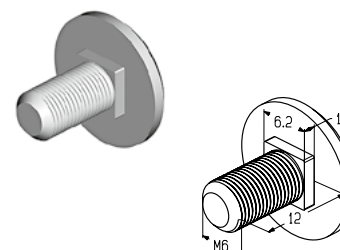
Резьба	M8
Длина, мм	16
Материал	оцинкованная сталь
Вес, кг/шт.	0,006
Единица измерения	шт.
Норма поставки, шт.	2500



Артикул	Код	Материал
M8x16BKL	408320800	Оцинкованная сталь
M8x16BKL-SS	408310400	Нержавеющая сталь

Болт

Резьба	M6
Длина, мм	12
Вес, кг/шт.	0,008
Единица измерения	шт.
Норма поставки, шт.	3000

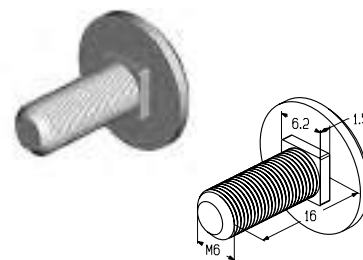


Артикул	Код	Материал
M6x12BKL	408321000	Оцинкованная сталь
M6x12BKL-SS	408310100	Нержавеющая сталь

Болт

Резьба	M6
Длина, мм	16
Вес, кг/шт.	0,006
Единица измерения	шт.
Норма поставки, шт.	3500

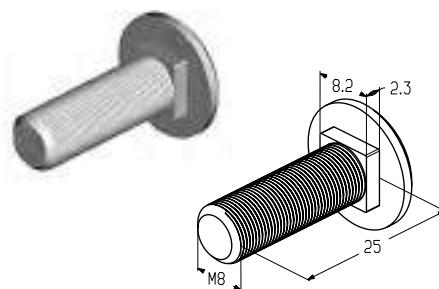
Артикул	Код	Материал
M6×16BKL	408310200	Оцинкованная сталь
M6×16BKL-SS	408310300	Нержавеющая сталь



Болт

Резьба	M8
Длина, мм	25
Вес, кг/шт.	0,012
Единица измерения	шт.
Норма поставки, шт.	1500

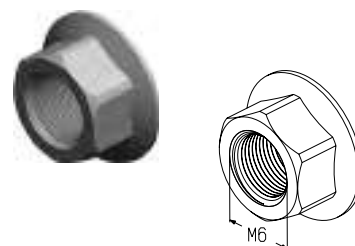
Артикул	Код	Материал
M8×25BKL	408310500	Оцинкованная сталь
M8×25BKL-SS	408310600	Нержавеющая сталь



Гайка M6

Резьба	M6
Вес, кг/шт.	0,003
Единица измерения	шт.
Норма поставки, шт.	7000

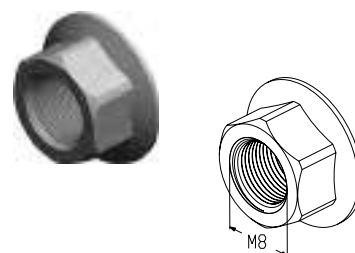
Артикул	Код	Материал
M6N	408120100	Оцинкованная сталь
M6N-SS	408110000	Нержавеющая сталь



Гайка M8

Резьба	M8
Вес, кг/шт.	0,007
Единица измерения	шт.
Норма поставки, шт.	3500

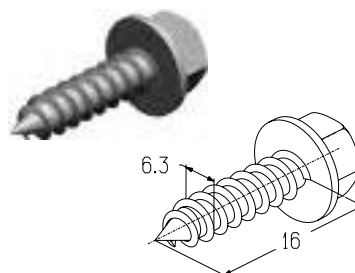
Артикул	Код	Материал
M8N	408120200	Оцинкованная сталь
M8N-SS	408110100	Нержавеющая сталь



Винт самонарезающий 6,3 × 16

Диаметр, мм	6,3
Длина, мм	16
Вес, кг/шт.	0,006
Единица измерения	шт.
Норма поставки, шт.	3500

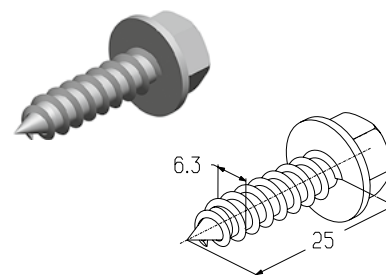
Артикул	Код	Материал
6,3×16S	408020100	Оцинкованная сталь с антикоррозийной химической конверсионной пленкой и термообработанным керамическим слоем
6,3×16S-SS	408010200	Нержавеющая сталь



Винт самонарезающий 6,3 × 25

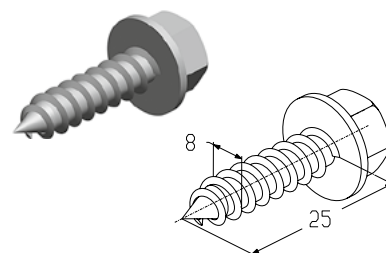
Диаметр, мм	6,3
Длина, мм	25
Вес, кг/шт.	0,008
Единица измерения	шт.
Норма поставки, шт.	2000

Артикул	Код	Материал
6,3×25S-SS	408010000	Нержавеющая сталь
6,3×25s	408010100	Оцинкованная сталь с антикоррозийной химической конверсионной пленкой и термообработанным керамическим слоем

**Винт самонарезающий**

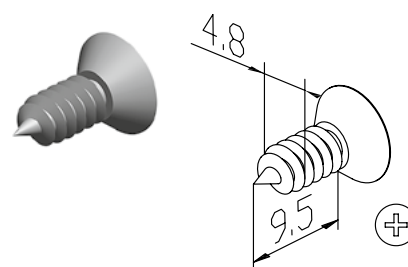
Диаметр, мм	8
Длина, мм	25
Материал	оцинкованная сталь
Вес, кг/шт.	0,013
Единица измерения	шт.
Норма поставки, шт.	1000

Артикул	Код
8×25S	408020200

**Винт самонарезающий DIN7982**

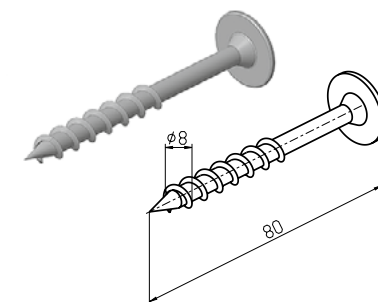
Диаметр, мм	4,8
Длина, мм	9,5
Материал	оцинкованная сталь
Вес, кг/шт.	0,003
Единица измерения	шт.
Норма поставки, шт.	13000

Артикул	Код
4,8×9,5SDX	408620000

**Саморез по дереву TOR×40 8×80**

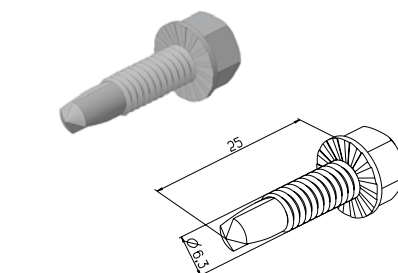
Диаметр, мм	8
Длина, мм	80
Материал	оцинкованная сталь
Вес, кг/шт.	0,001
Единица измерения	шт.
Норма поставки, шт.	10

Артикул	Код
8×80S	419410165

**Саморез 6,3×25 DIN7504K**

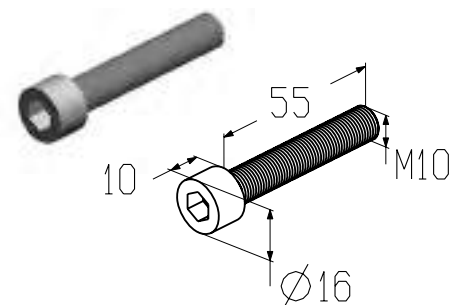
Диаметр, мм	6,3
Длина, мм	25
Материал	оцинкованная сталь
Вес, кг/шт.	0,008
Единица измерения	шт.
Норма поставки, шт.	10

Артикул	Код
6,3×25SDR	419410154



Винт DIN912

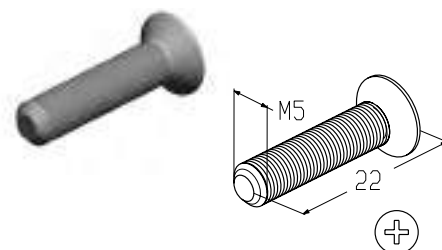
Резьба	M10
Длина, мм	55
Материал	оцинкованная сталь
Вес, кг/шт.	0,037
Единица измерения	шт.
Норма поставки, шт.	1000



Артикул	Код
M10x55SCOL	408020800

Винт DIN965

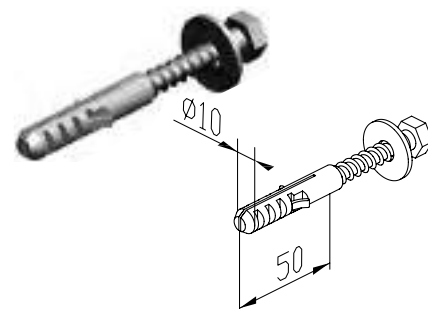
Резьба	M5
Длина, мм	22
Материал	оцинкованная сталь
Вес, кг/шт.	0,003
Единица измерения	шт.
Норма поставки, шт.	800



Артикул	Код
M5x22SDX	408020900

Дюбель

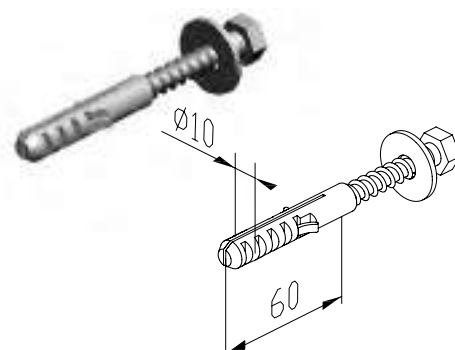
Диаметр, мм	10
Длина, мм	50
Материал	нейлон/оцинкованная сталь
Вес, кг/шт.	0,023
Единица измерения	шт.
Норма поставки, шт.	1000



Артикул	Код
10x50D	408800100

Дюбель

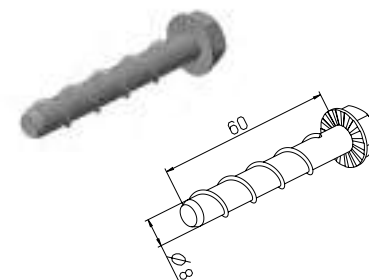
Диаметр, мм	10
Длина, мм	60
Материал	нейлон/оцинкованная сталь
Вес, кг/шт.	0,023
Единица измерения	шт.
Норма поставки, шт.	1000



Артикул	Код
SXR 10x60 FUS	408800600

Анкер-шуруп CS-H 8x60

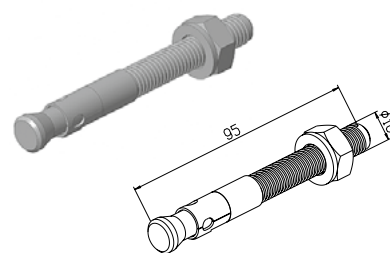
Диаметр, мм	8
Длина, мм	60
Материал	сталь
Вес, кг/шт.	0,030
Единица измерения	шт.
Норма поставки, шт.	10



Артикул	Код
8x60STX	419410168

Анкерный болт с гайкой SHF 10×95

Диаметр, мм	10
Длина, мм	95
Материал	нержавеющая сталь
Вес, кг/шт.	0,067
Единица измерения	шт.
Норма поставки, шт.	10



Артикул	Код
10×95A	419410167

1.1

1.2

1.3

1.4

1.5

2

3

4

4

Ремонтные узлы

ПРАВИЛА ПРИ ЗАКАЗЕ РЕМОНТНЫХ УЗЛОВ

  																
ООО "Алютех Воротные Системы" 220075, Минская обл., Минский р-н, СЗЗ "Минск", ул. Селицкого, 10-508; Тел.: +375 (017) 330-11-00																
ВОРОТА СЕКЦИОННЫЕ ПОДЪЕМНЫЕ ТУ РБ 101452725.002-2000																
Тип:	СП.Р.ProPlus.Г															
Заказ:	AS 6887430															
Заводской №:	10524209001156															
Размер ворот, мм:	2950x2765															
Масса полотна ворот, кг:	105															
Сопротивление теплопередаче, м ² К/Вт:	0.87															
Число оборотов пружин:	10,6 ± 1															
Ресурс пружин, циклы:	25000															
<table border="1"> <thead> <tr> <th>д, мм</th> <th>В, мм</th> <th>L, мм</th> <th>Напр.</th> <th>тип</th> </tr> </thead> <tbody> <tr> <td>7</td> <td>95</td> <td>740</td> <td>R</td> <td>Regular</td> </tr> <tr> <td>7</td> <td>95</td> <td>740</td> <td>L</td> <td>Regular</td> </tr> </tbody> </table>	д, мм	В, мм	L, мм	Напр.	тип	7	95	740	R	Regular	7	95	740	L	Regular	
д, мм	В, мм	L, мм	Напр.	тип												
7	95	740	R	Regular												
7	95	740	L	Regular												
Дата производства:	10.05.2024															

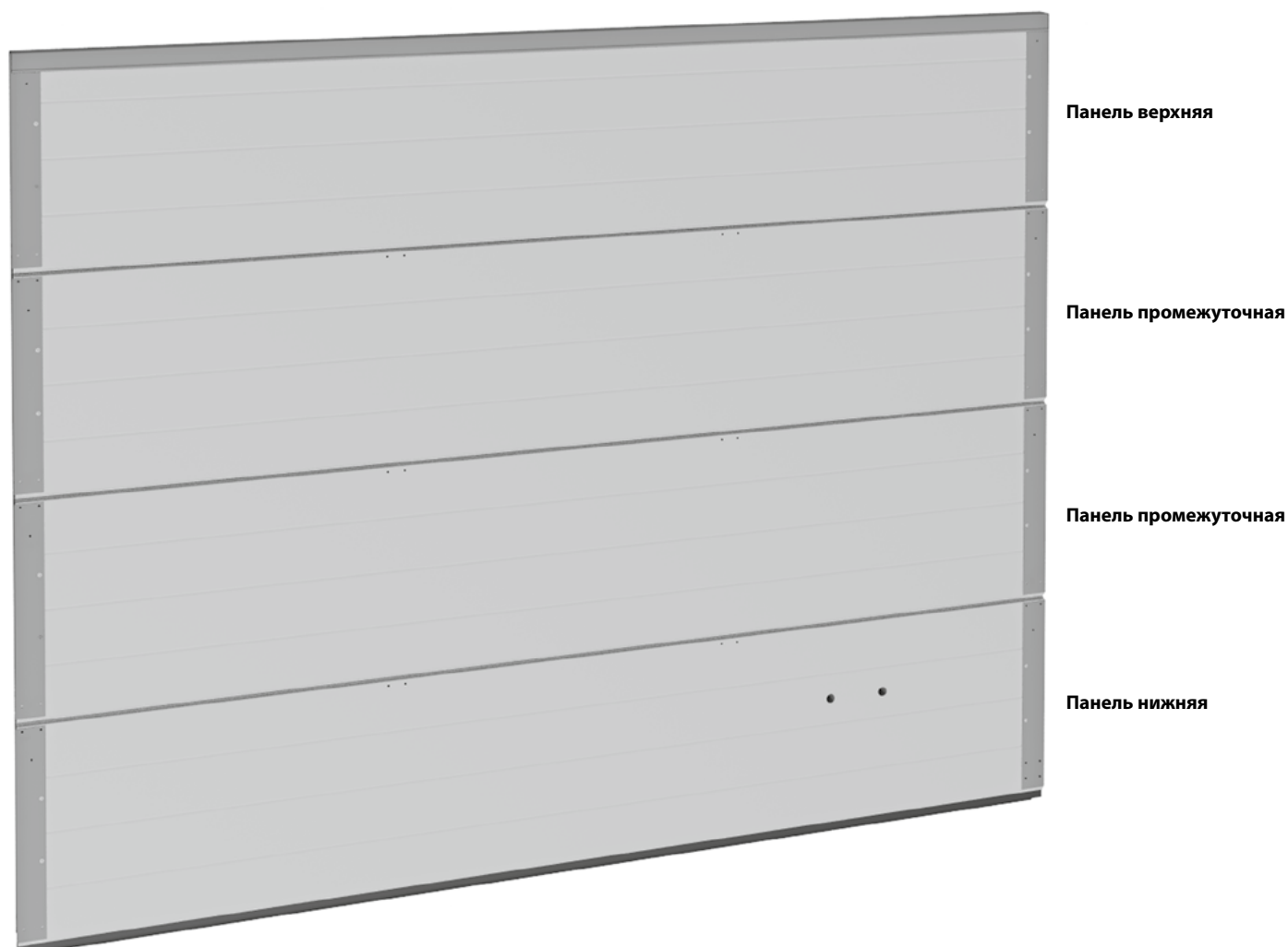
В данной части каталога размещена информация о типовых ремонтных узлах для секционных ворот. Ремонтный узел является индивидуальным изделием, т.к. заказывается для конкретных ворот. В каталоге представлен типовой состав каждого ремонта, который может изменяться (но в пределах описанного состава) в зависимости от ворот, для которых он предназначен.

ПРИ ЗАКАЗЕ РЕМОНТНОГО УЗЛА НЕОБХОДИМО УКАЗАТЬ:

1. Заводской номер ворот, указанный на табличке изделия.
2. Описание требуемого ремонтного узла.
3. Артикул и наименование ремонтного узла.

ПОЛОТНО ВОРОТ БЕЗ КАЛИТКИ

ТИПОВАЯ КОНСТРУКЦИЯ ПОЛОТНА ВОРОТ БЕЗ КАЛИТКИ



ПОЛОТНО ВОРОТ БЕЗ КАЛИТКИ

Полотно воротное

Тип ворот:

- гаражные ворота Prestige с торсионными пружинами без калитки всех типов монтажа;
- гаражные ворота Prestige с пружинами растяжения;
- промышленные ворота ProPlus без калитки всех типов монтажа.

Состав: сэндвич-панели с боковыми накладками, профиль усиливающий (при ширине ворот от 5000 мм***), верхний и нижний концевой профиль, нижняя уплотнительная вставка, упоры нижние.

Единица измерения шт.



Артикул	Тип полотна	Цвет*
GLG-3	Микроволна woodgrain	RAL 9016, 9007, 9006, 8017, 8014, 7016, 6005, 5010, 3004, 1015, ADS703**
	S-гофр woodgrain	RAL 9016, 9007, 9006, 9005, 8019, 8017, 8014, 7024, 7016, 6005, 5010, 3004, 1015, ADS703**
	S-гофр smooth	Golden Oak, Dark Oak
	M-гофр woodgrain	RAL 9016, 8019, 8017, 7024**
	M-гофр smooth	RAL 9016, 7016** Golden Oak, Dark Oak, ADS704
	L-гофр woodgrain	RAL 9016, 8019, 8017**
	L-гофр smooth	RAL 9016, 9007, 9005, 8017, 7024, 7016, ADS703** Golden Oak, Dark Oak, ADS704
	Микроволна woodgrain, S-, M-, L-гофр woodgrain/smooth	Другие цвета по каталогу RAL*, DB
GLG-4	Филенка woodgrain	RAL 9016, 8014** Golden Oak, Dark Oak
		Другие цвета по каталогу RAL*, DB

Полотно воротное (фасадная система)

Тип ворот:

- гаражные ворота Prestige с торсионными пружинами без калитки всех типов монтажа;
- гаражные ворота Prestige с пружинами растяжения;
- промышленные ворота ProPlus без калитки всех типов монтажа.

Состав: сэндвич-панели с боковыми накладками, профиль усиливающий (при ширине ворот от 5000 мм***), верхний и нижний концевой профиль, нижняя уплотнительная вставка, упоры нижние.

Единица измерения шт.



Артикул	Тип полотна	Цвет*
GLG-3	Микроволна woodgrain	RAL 9016, 9007, 9006, 8017, 8014, 7016, 6005, 5010, 3004, 1015, ADS703**
	S-гофр woodgrain	RAL 9016, 9007, 9006, 9005, 8019, 8017, 8014, 7024, 7016, 6005, 5010, 3004, 1015, ADS703**
	S-гофр smooth	Golden Oak, Dark Oak
	M-гофр woodgrain	RAL 9016, 8019, 8017, 7024**
	M-гофр smooth	RAL 9016, 7016** Golden Oak, Dark Oak, ADS704
	L-гофр woodgrain	RAL 9016, 8019, 8017**
	L-гофр smooth	RAL 9016, 9007, 9005, 8017, 7024, 7016, ADS703** Golden Oak, Dark Oak, ADS704
	Микроволна woodgrain, S-, M-, L-гофр woodgrain/smooth	Другие цвета по каталогу RAL*, DB

* Указанные в формате RAL **** цвета имеют близкое соответствие шкале RAL.

** Стандартные цвета.

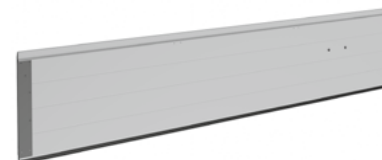
***Для ворот высоких и вертикальных типов монтажа усиливающие профили устанавливаются при ширине ворот от 4505 мм включительно. При наличии усиливающих профилей в исходном изделии, заказанных в качестве опции, усиливающие профили будут включены также в состав ремонтного узла.

Панель нижняя

Тип ворот:

- гаражные ворота Prestige с торсионными пружинами без калитки всех типов монтажа;
- гаражные ворота Prestige с пружинами растяжения;
- промышленные ворота ProPlus без калитки всех типов монтажа.

Состав: нижняя сэндвич-панель с боковыми накладками, нижний концевой профиль, нижняя уплотнительная вставка, упоры нижние.



Единица измерения шт.

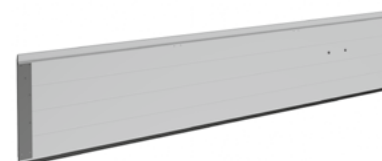
Артикул	Тип полотна	Цвет*
LPU-27	Микроволна woodgrain	RAL 9016, 9007, 9006, 8017, 8014, 7016, 6005, 5010, 3004, 1015, ADS703**
	S-гофр woodgrain	RAL 9016, 9007, 9006, 9005, 8019, 8017, 8014, 7024, 7016, 6005, 5010, 3004, 1015, ADS703**
	S-гофр smooth	Golden Oak, Dark Oak
	M-гофр woodgrain	RAL 9016, 8019, 8017, 7024**
	M-гофр smooth	RAL 9016, 7016** Golden Oak, Dark Oak, ADS704
	L-гофр woodgrain	RAL 9016, 8019, 8017**
	L-гофр smooth	RAL 9016, 9007, 9005, 8017, 7024, 7016, ADS703** Golden Oak, Dark Oak, ADS704
	Микроволна woodgrain, S-, M-, L-гофр woodgrain/smooth	Другие цвета по каталогу RAL*, DB
LPF-1	Филенка woodgrain	RAL 9016, 8014** Golden Oak, Dark Oak
		Другие цвета по каталогу RAL*, DB

Панель нижняя (фасадная система)

Тип ворот:

- гаражные ворота Prestige с торсионными пружинами без калитки всех типов монтажа;
- гаражные ворота Prestige с пружинами растяжения;
- промышленные ворота ProPlus без калитки всех типов монтажа.

Состав: нижняя сэндвич-панель с боковыми накладками, нижний концевой профиль, нижняя уплотнительная вставка, упоры нижние.



Единица измерения шт.

Артикул	Тип полотна	Цвет*
LPU-27	Микроволна woodgrain	RAL 9016, 9007, 9006, 8017, 8014, 7016, 6005, 5010, 3004, 1015, ADS703**
	S-гофр woodgrain	RAL 9016, 9007, 9006, 9005, 8019, 8017, 8014, 7024, 7016, 6005, 5010, 3004, 1015, ADS703**
	S-гофр smooth	Golden Oak, Dark Oak
	M-гофр woodgrain	RAL 9016, 8019, 8017, 7024**
	M-гофр smooth	RAL 9016, 7016** Golden Oak, Dark Oak, ADS704
	L-гофр woodgrain	RAL 9016, 8019, 8017**
	L-гофр smooth	RAL 9016, 9007, 9005, 8017, 7024, 7016, ADS703** Golden Oak, Dark Oak, ADS704
	Микроволна woodgrain, S-, M-, L-гофр woodgrain/smooth	Другие цвета по каталогу RAL*, DB

* Указанные в формате RAL **** цвета имеют близкое соответствие шкале RAL.

** Стандартные цвета.

Панель промежуточная

Тип ворот:

- гаражные ворота Prestige с торсионными пружинами без калитки всех типов монтажа;
- гаражные ворота Prestige с пружинами растяжения;
- промышленные ворота ProPlus без калитки всех типов монтажа.

Состав: промежуточная сэндвич-панель с боковыми накладками, профиль усиливающий (при ширине ворот от 5000 мм***).



Единица измерения шт.

Артикул	Тип полотна	Цвет*
LPU-28	Микроволна woodgrain	RAL 9016, 9007, 9006, 8017, 8014, 7016, 6005, 5010, 3004, 1015, ADS703**
	S-гофр woodgrain	RAL 9016, 9007, 9006, 9005, 8019, 8017, 8014, 7024, 7016, 6005, 5010, 3004, 1015, ADS703**
	S-гофр smooth	Golden Oak, Dark Oak
	M-гофр woodgrain	RAL 9016, 8019, 8017, 7024**
	M-гофр smooth	RAL 9016, 7016** Golden Oak, Dark Oak, ADS704
	L-гофр woodgrain	RAL 9016, 8019, 8017**
	L-гофр smooth	RAL 9016, 9007, 9005, 8017, 7024, 7016, ADS703** Golden Oak, Dark Oak, ADS704
LPF-2	Микроволна woodgrain, S-, M-, L-гофр woodgrain/smooth	Другие цвета по каталогу RAL*, DB
	Филенка woodgrain	RAL 9016, 8014** Golden Oak, Dark Oak Другие цвета по каталогу RAL*, DB

Панель верхняя

Тип ворот:

- гаражные ворота Prestige с торсионными пружинами без калитки всех типов монтажа;
- гаражные ворота Prestige с пружинами растяжения;
- промышленные ворота ProPlus без калитки всех типов монтажа.

Состав: верхняя сэндвич-панель с боковыми накладками, профиль усиливающий (при ширине ворот от 5000 мм***), верхний концевой профиль, верхний уплотнитель (Prestige высокий тип монтажа, ProPlus).



Единица измерения шт.

Артикул	Тип полотна	Цвет*
LPU-29	Микроволна woodgrain	RAL 9016, 9007, 9006, 8017, 8014, 7016, 6005, 5010, 3004, 1015, ADS703**
	S-гофр woodgrain	RAL 9016, 9007, 9006, 9005, 8019, 8017, 8014, 7024, 7016, 6005, 5010, 3004, 1015, ADS703**
	S-гофр smooth	Golden Oak, Dark Oak
	M-гофр woodgrain	RAL 9016, 8019, 8017, 7024**
	M-гофр smooth	RAL 9016, 7016** Golden Oak, Dark Oak, ADS704
	L-гофр woodgrain	RAL 9016, 8019, 8017**
	L-гофр smooth	RAL 9016, 9007, 9005, 8017, 7024, 7016, ADS703** Golden Oak, Dark Oak, ADS704
LPF-3	Микроволна woodgrain, S-, M-, L-гофр woodgrain/smooth	Другие цвета по каталогу RAL*, DB
	Филенка woodgrain	RAL 9016, 8014** Golden Oak, Dark Oak Другие цвета по каталогу RAL*, DB

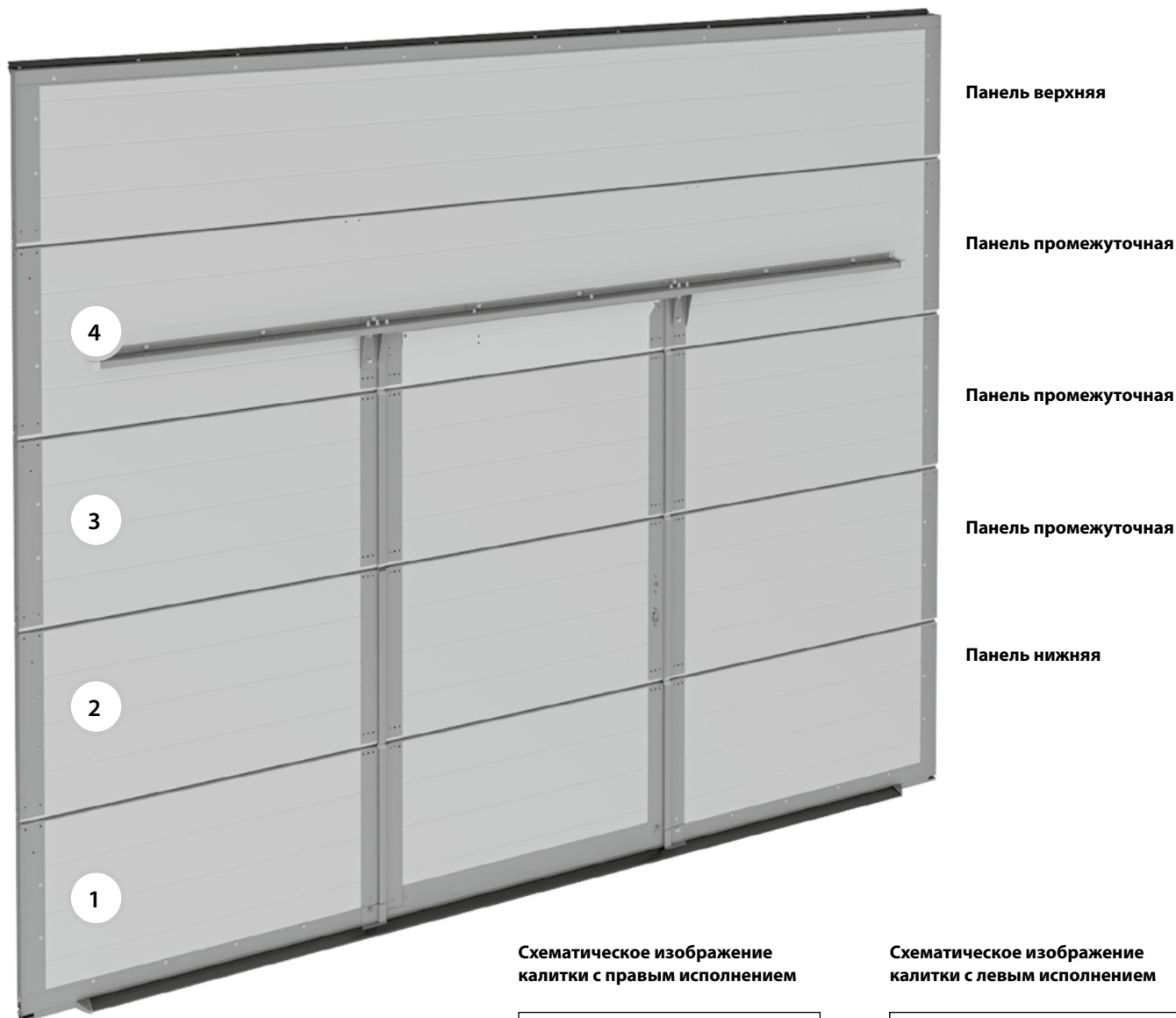
* Указанные в формате RAL **** цвета имеют близкое соответствие шкале RAL.

** Стандартные цвета.

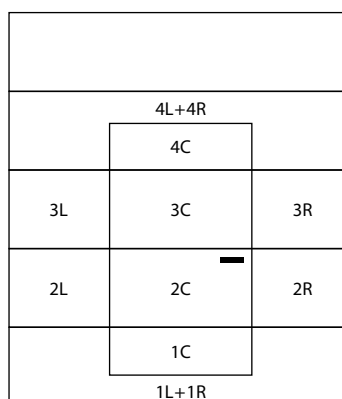
***Для ворот высоких и вертикальных типов монтажа усиливающие профили устанавливаются при ширине ворот от 4505 мм включительно. При наличии усиливающих профилей в исходном изделии, заказанных в качестве опции, усиливающие профили будут включены также в состав ремонтного узла.

ПОЛОТНО ВОРОТ С КАЛИТКОЙ

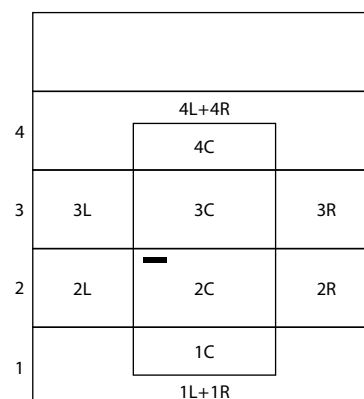
ТИПОВАЯ КОНСТРУКЦИЯ ПОЛОТНА ВОРОТ СО ВСТРОЕННОЙ КАЛИТКОЙ
(на примере калитки с плоским порогом с правым открыванием)



Схематическое изображение калитки с правым исполнением



Схематическое изображение калитки с левым исполнением



при взгляде изнутри

ПОЛОТНО ВОРОТ С КАЛИТКОЙ

Полотно воротное

Тип ворот:

- гаражные ворота Prestige с торсионными пружинами всех типов монтажа;
- промышленные ворота ProPlus всех типов монтажа.

Тип калитки: с плоским порогом 20 мм, с низким порогом 100 мм, со стандартным порогом 145 мм.

Состав: сэндвич-панели с боковыми накладками, верхний и нижний концевые профили, нижняя уплотнительная вставка, верхняя уплотнительная вставка (Prestige высокий тип монтажа, ProPlus), комплект калиточных профилей с уплотнителями, пластина соединительная (для монтажа доводчика), шина доводчика, замок калитки (корпус, планка ригеля, ригель), усиливающие профили калитки, упоры нижние, контакт калитки.

Комплект ручек и цилиндрический механизм, доводчик и тяга доводчика в ремонтный узел не входят. Накладные петли (арт. WH-100) входят в состав ремонта при наличии их в исходном изделии.

Единица измерения шт.

Артикул	Тип полотна	Цвет*	Применение
GLG-1	Микроволна woodgrain	RAL 9016, 9007, 9006, 8017, 8014, 7016, 6005, 5010, 3004, 1015, ADS703**	Для ворот с правой калиткой
	S-гофр woodgrain	RAL 9016, 9007, 9006, 9005, 8019, 8017, 8014, 7024, 7016, 6005, 5010, 3004, 1015, ADS703**	
	S-гофр smooth	Golden Oak, Dark Oak	
	M-гофр woodgrain	RAL 9016, 8019, 8017, 7024**	
	M-гофр smooth	RAL 9016, 7016** Golden Oak, Dark Oak, ADS704	
	L-гофр woodgrain	RAL 9016, 8019, 8017**	
	L-гофр smooth	RAL 9016, 9007, 9005, 8017, 7024, 7016, ADS703** Golden Oak, Dark Oak, ADS704	
	Микроволна woodgrain, S-, M-, L-гофр woodgrain/smooth	Другие цвета по каталогу RAL*, DB	
GLG-2	Микроволна woodgrain	RAL 9016, 9007, 9006, 8017, 8014, 7016, 6005, 5010, 3004, 1015, ADS703**	Для ворот с левой калиткой
	S-гофр woodgrain	RAL 9016, 9007, 9006, 9005, 8019, 8017, 8014, 7024, 7016, 6005, 5010, 3004, 1015, ADS703**	
	S-гофр smooth	Golden Oak, Dark Oak	
	M-гофр woodgrain	RAL 9016, 8019, 8017, 7024**	
	M-гофр smooth	RAL 9016, 7016** Golden Oak, Dark Oak, ADS704	
	L-гофр woodgrain	RAL 9016, 8019, 8017**	
	L-гофр smooth	RAL 9016, 9007, 9005, 8017, 7024, 7016, ADS703** Golden Oak, Dark Oak, ADS704	
	Микроволна woodgrain, S-, M-, L-гофр woodgrain/smooth	Другие цвета по каталогу RAL*, DB	



Калитка с плоским порогом 20 мм



Калитка с низким порогом 100 мм



Калитка со стандартным порогом 145 мм

* Указанные в формате RAL **** цвета имеют близкое соответствие шкале RAL.

** Стандартные цвета.

Панель нижняя

Тип ворот:

- гаражные ворота Prestige с торсионными пружинами всех типов монтажа;
- промышленные ворота ProPlus всех типов монтажа.

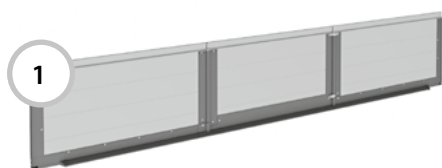
Тип калитки: с плоским порогом 20 мм, с низким порогом 100 мм, со стандартным порогом 145 мм.

Состав: нижняя сэндвич-панель с боковыми накладками, нижний концевой профиль, нижняя уплотнительная вставка, комплект калиточных профилей с уплотнителями для нижней панели, нижний усиливающий профиль калитки, упоры нижние, контакт калитки.

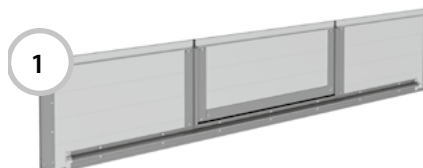
Накладные петли (арт. WH-100) входят в состав ремонта при наличии их в исходном изделии.

Единица измерения шт.

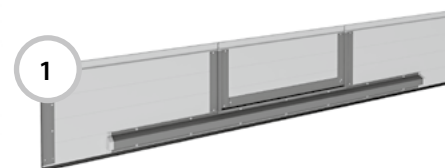
Артикул	Тип полотна	Цвет*	Применение
LPU-1	Микроволна woodgrain	RAL 9016, 9007, 9006, 8017, 8014, 7016, 6005, 5010, 3004, 1015, ADS703**	Для ворот с правой калиткой
	S-гофр woodgrain	RAL 9016, 9007, 9006, 9005, 8019, 8017, 8014, 7024, 7016, 6005, 5010, 3004, 1015, ADS703**	
	S-гофр smooth	Golden Oak, Dark Oak	
	M-гофр woodgrain	RAL 9016, 8019, 8017, 7024**	
	M-гофр smooth	RAL 9016, 7016** Golden Oak, Dark Oak, ADS704	
	L-гофр woodgrain	RAL 9016, 8019, 8017**	
	L-гофр smooth	RAL 9016, 9007, 9005, 8017, 7024, 7016, ADS703** Golden Oak, Dark Oak, ADS704	
	Микроволна woodgrain, S-, M-, L-гофр woodgrain/smooth	Другие цвета по каталогу RAL*, DB	
LPU-15	Микроволна woodgrain	RAL 9016, 9007, 9006, 8017, 8014, 7016, 6005, 5010, 3004, 1015, ADS703**	Для ворот с левой калиткой
	S-гофр woodgrain	RAL 9016, 9007, 9006, 9005, 8019, 8017, 8014, 7024, 7016, 6005, 5010, 3004, 1015, ADS703**	
	S-гофр smooth	Golden Oak, Dark Oak	
	M-гофр woodgrain	RAL 9016, 8019, 8017, 7024**	
	M-гофр smooth	RAL 9016, 7016** Golden Oak, Dark Oak, ADS704	
	L-гофр woodgrain	RAL 9016, 8019, 8017**	
	L-гофр smooth	RAL 9016, 9007, 9005, 8017, 7024, 7016, ADS703** Golden Oak, Dark Oak, ADS704	
	Микроволна woodgrain, S-, M-, L-гофр woodgrain/smooth	Другие цвета по каталогу RAL*, DB	



**Калитка
с плоским порогом 20 мм**



**Калитка
с низким порогом 100 мм**



**Калитка
со стандартным порогом 145 мм**

* Указанные в формате RAL **** цвета имеют близкое соответствие шкале RAL.

** Стандартные цвета.

Панель промежуточная

Тип ворот:

- гаражные ворота Prestige с торсионными пружинами всех типов монтажа;
- промышленные ворота ProPlus всех типов монтажа.

Тип калитки: с плоским порогом 20 мм, с низким порогом 100 мм, со стандартным порогом 145 мм.

Состав: вторая или третья промежуточная калиточная панель с установленными калиточными профилями и уплотнителями, замок калитки (корпус, планка ригеля, ригель).

Комплект ручек и цилиндрический механизм в ремонтный узел не входят.

Накладные петли (арт. WH-100) входят в состав ремонта при наличии их в исходном изделии.

Единица измерения шт.

Артикул	Тип полотна	Цвет*	Применение
LPU-31	Микроволна woodgrain	RAL 9016, 9007, 9006, 8017, 8014, 7016, 6005, 5010, 3004, 1015, ADS703**	Для ворот с правой калиткой
	S-гофр woodgrain	RAL 9016, 9007, 9006, 9005, 8019, 8017, 8014, 7024, 7016, 6005, 5010, 3004, 1015, ADS703**	
	S-гофр smooth	Golden Oak, Dark Oak	
	M-гофр woodgrain	RAL 9016, 8019, 8017, 7024**	
	M-гофр smooth	RAL 9016, 7016** Golden Oak, Dark Oak, ADS704	
	L-гофр woodgrain	RAL 9016, 8019, 8017**	
	L-гофр smooth	RAL 9016, 9007, 9005, 8017, 7024, 7016, ADS703** Golden Oak, Dark Oak, ADS704	
	Микроволна woodgrain, S-, M-, L-гофр woodgrain/smooth	Другие цвета по каталогу RAL*, DB	
LPU-41	Микроволна woodgrain	RAL 9016, 9007, 9006, 8017, 8014, 7016, 6005, 5010, 3004, 1015, ADS703**	Для ворот с левой калиткой
	S-гофр woodgrain	RAL 9016, 9007, 9006, 9005, 8019, 8017, 8014, 7024, 7016, 6005, 5010, 3004, 1015, ADS703**	
	S-гофр smooth	Golden Oak, Dark Oak	
	M-гофр woodgrain	RAL 9016, 8019, 8017, 7024**	
	M-гофр smooth	RAL 9016, 7016** Golden Oak, Dark Oak, ADS704	
	L-гофр woodgrain	RAL 9016, 8019, 8017**	
	L-гофр smooth	RAL 9016, 9007, 9005, 8017, 7024, 7016, ADS703** Golden Oak, Dark Oak, ADS704	
	Микроволна woodgrain, S-, M-, L-гофр woodgrain/smooth	Другие цвета по каталогу RAL*, DB	



* Указанные в формате RAL **** цвета имеют близкое соответствие шкале RAL.

** Стандартные цвета.

Панель промежуточная

Тип ворот:

- гаражные ворота Prestige с торсионными пружинами всех типов монтажа;
- промышленные ворота ProPlus всех типов монтажа.

Тип калитки: с плоским порогом 20 мм, с низким порогом 100 мм, со стандартным порогом 145 мм.

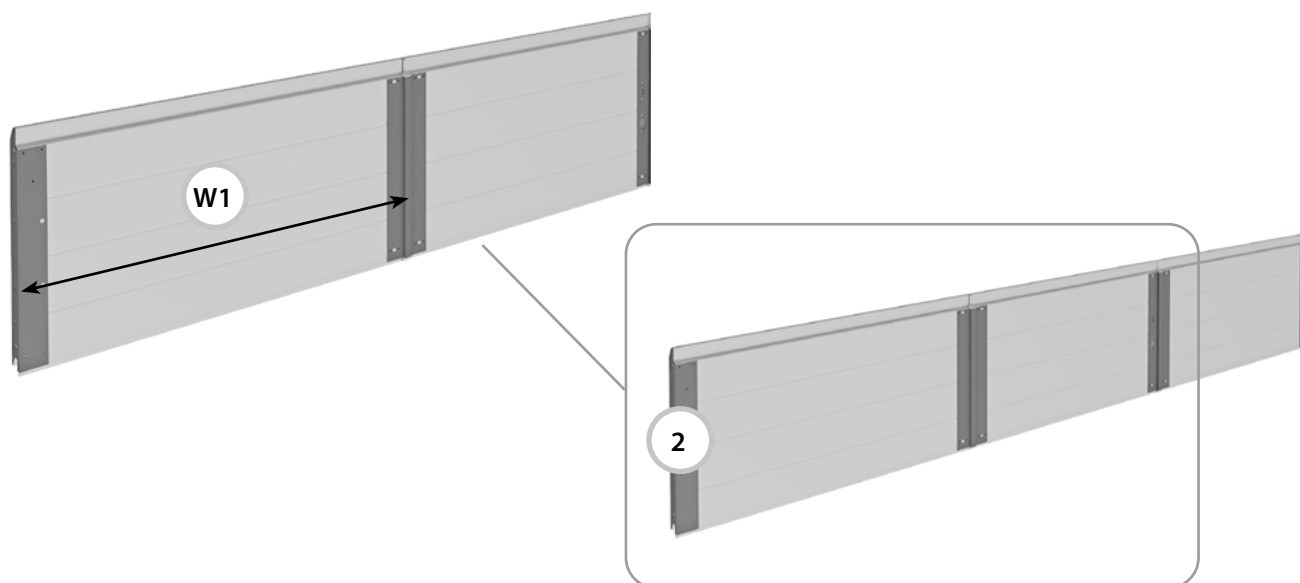
Состав: две промежуточные панели калитки с установленными калиточными профилями и уплотнителями, замок калитки (корпус, ригель).

Комплект ручек и цилиндрический механизм в ремонтный узел не входят.

Накладные петли (арт. WH-100) не входят в состав ремонта при наличии их в исходном изделии.

Единица измерения шт.

Артикул	Тип полотна	Цвет*	Применение
LPU-5	Микроволна woodgrain	RAL 9016, 9007, 9006, 8017, 8014, 7016, 6005, 5010, 3004, 1015, ADS703**	Для ворот с правой калиткой
	S-гофр woodgrain	RAL 9016, 9007, 9006, 9005, 8019, 8017, 8014, 7024, 7016, 6005, 5010, 3004, 1015, ADS703**	
	S-гофр smooth	Golden Oak, Dark Oak	
	M-гофр woodgrain	RAL 9016, 8019, 8017, 7024**	
	M-гофр smooth	RAL 9016, 7016** Golden Oak, Dark Oak, ADS704	
	L-гофр woodgrain	RAL 9016, 8019, 8017**	
	L-гофр smooth	RAL 9016, 9007, 9005, 8017, 7024, 7016, ADS703** Golden Oak, Dark Oak, ADS704	
	Микроволна woodgrain, S-, M-, L-гофр woodgrain/smooth	Другие цвета по каталогу RAL*, DB	
LPU-19	Микроволна woodgrain	RAL 9016, 9007, 9006, 8017, 8014, 7016, 6005, 5010, 3004, 1015, ADS703**	Для ворот с левой калиткой
	S-гофр woodgrain	RAL 9016, 9007, 9006, 9005, 8019, 8017, 8014, 7024, 7016, 6005, 5010, 3004, 1015, ADS703**	
	S-гофр smooth	Golden Oak, Dark Oak	
	M-гофр woodgrain	RAL 9016, 8019, 8017, 7024**	
	M-гофр smooth	RAL 9016, 7016** Golden Oak, Dark Oak, ADS704	
	L-гофр woodgrain	RAL 9016, 8019, 8017**	
	L-гофр smooth	RAL 9016, 9007, 9005, 8017, 7024, 7016, ADS703** Golden Oak, Dark Oak, ADS704	
	Микроволна woodgrain, S-, M-, L-гофр woodgrain/smooth	Другие цвета по каталогу RAL*, DB	



* Указанные в формате RAL **** цвета имеют близкое соответствие шкале RAL.

** Стандартные цвета.

Панель промежуточная

Тип ворот:

- гаражные ворота Prestige с торсионными пружинами всех типов монтажа;
- промышленные ворота ProPlus всех типов монтажа.

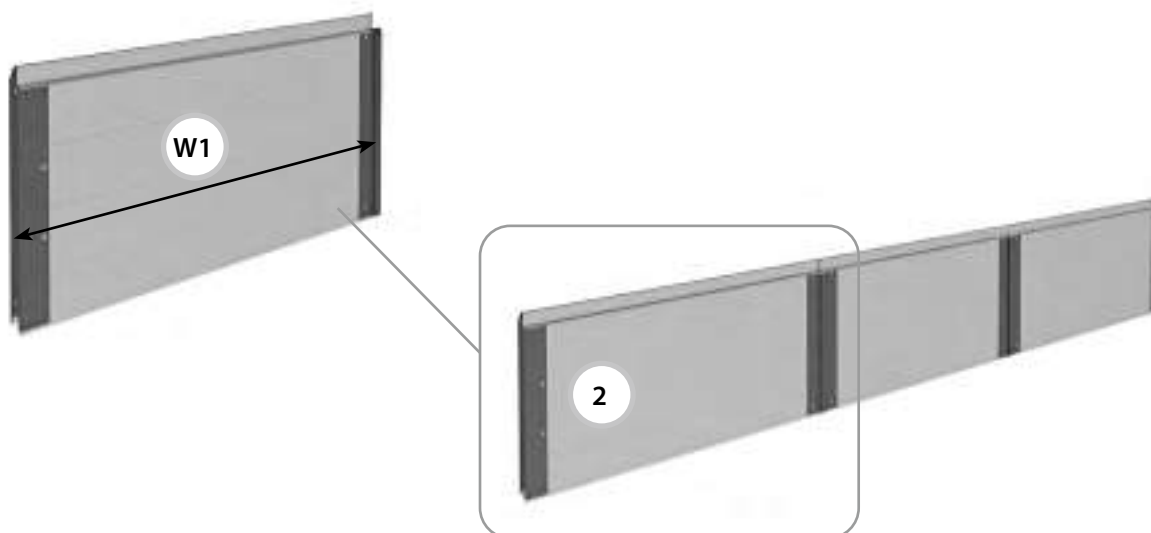
Тип калитки: с плоским порогом 20 мм, с низким порогом 100 мм, со стандартным порогом 145 мм.

Состав: промежуточная панель калитки (боковая часть) с установленными калиточными профилями и уплотнителями.

Накладные петли (арт. **WH-100**) не входят в состав ремонта при наличии их в исходном изделии.

Единица измерения шт.

Артикул	Тип полотна	Цвет*	Применение
LPU-6	Микроволна woodgrain	RAL 9016, 9007, 9006, 8017, 8014, 7016, 6005, 5010, 3004, 1015, ADS703**	Для ворот с правой калиткой
	S-гофр woodgrain	RAL 9016, 9007, 9006, 9005, 8019, 8017, 8014, 7024, 7016, 6005, 5010, 3004, 1015, ADS703**	
	S-гофр smooth	Golden Oak, Dark Oak	
	M-гофр woodgrain	RAL 9016, 8019, 8017, 7024**	
	M-гофр smooth	RAL 9016, 7016** Golden Oak, Dark Oak, ADS704	
	L-гофр woodgrain	RAL 9016, 8019, 8017**	
	L-гофр smooth	RAL 9016, 9007, 9005, 8017, 7024, 7016, ADS703** Golden Oak, Dark Oak, ADS704	
	Микроволна woodgrain, S-, M-, L-гофр woodgrain/smooth	Другие цвета по каталогу RAL*, DB	
LPU-20	Микроволна woodgrain	RAL 9016, 9007, 9006, 8017, 8014, 7016, 6005, 5010, 3004, 1015, ADS703**	Для ворот с левой калиткой
	S-гофр woodgrain	RAL 9016, 9007, 9006, 9005, 8019, 8017, 8014, 7024, 7016, 6005, 5010, 3004, 1015, ADS703**	
	S-гофр smooth	Golden Oak, Dark Oak	
	M-гофр woodgrain	RAL 9016, 8019, 8017, 7024**	
	M-гофр smooth	RAL 9016, 7016** Golden Oak, Dark Oak, ADS704	
	L-гофр woodgrain	RAL 9016, 8019, 8017**	
	L-гофр smooth	RAL 9016, 9007, 9005, 8017, 7024, 7016, ADS703** Golden Oak, Dark Oak, ADS704	
	Микроволна woodgrain, S-, M-, L-гофр woodgrain/smooth	Другие цвета по каталогу RAL*, DB	



* Указанные в формате RAL **** цвета имеют близкое соответствие шкале RAL.

** Стандартные цвета.

Панель промежуточная

Тип ворот:

- гаражные ворота Prestige с торсионными пружинами всех типов монтажа;
- промышленные ворота ProPlus всех типов монтажа.

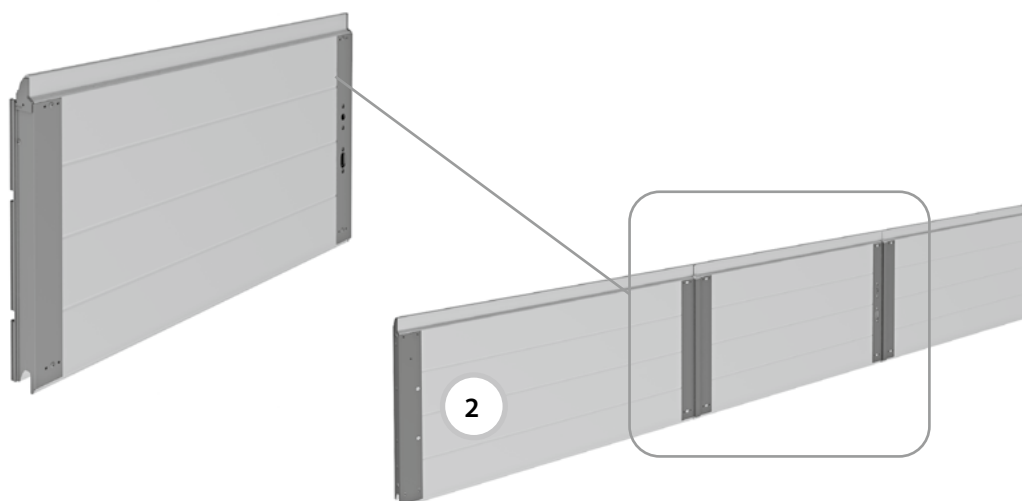
Тип калитки: с плоским порогом 20 мм, с низким порогом 100 мм, со стандартным порогом 145 мм.

Состав: промежуточная панель калитки (центральная часть) с установленными калиточными профилями и уплотнителями, замок калитки (корпус, ригель).

Накладные петли (арт. **WH-100**) не входят в состав ремонта при наличии их в исходном изделии.

Единица измерения шт.

Артикул	Тип полотна	Цвет*	Применение
LPU-7	Микроволна woodgrain	RAL 9016, 9007, 9006, 8017, 8014, 7016, 6005, 5010, 3004, 1015, ADS703**	Для ворот с правой калиткой
	S-гофр woodgrain	RAL 9016, 9007, 9006, 9005, 8019, 8017, 8014, 7024, 7016, 6005, 5010, 3004, 1015, ADS703**	
	S-гофр smooth	Golden Oak, Dark Oak	
	M-гофр woodgrain	RAL 9016, 8019, 8017, 7024**	
	M-гофр smooth	RAL 9016, 7016** Golden Oak, Dark Oak, ADS704	
	L-гофр woodgrain	RAL 9016, 8019, 8017**	
	L-гофр smooth	RAL 9016, 9007, 9005, 8017, 7024, 7016, ADS703** Golden Oak, Dark Oak, ADS704	
	Микроволна woodgrain, S-, M-, L-гофр woodgrain/smooth	Другие цвета по каталогу RAL*, DB	
LPU-21	Микроволна woodgrain	RAL 9016, 9007, 9006, 8017, 8014, 7016, 6005, 5010, 3004, 1015, ADS703**	Для ворот с левой калиткой
	S-гофр woodgrain	RAL 9016, 9007, 9006, 9005, 8019, 8017, 8014, 7024, 7016, 6005, 5010, 3004, 1015, ADS703**	
	S-гофр smooth	Golden Oak, Dark Oak	
	M-гофр woodgrain	RAL 9016, 8019, 8017, 7024**	
	M-гофр smooth	RAL 9016, 7016** Golden Oak, Dark Oak, ADS704	
	L-гофр woodgrain	RAL 9016, 8019, 8017**	
	L-гофр smooth	RAL 9016, 9007, 9005, 8017, 7024, 7016, ADS703** Golden Oak, Dark Oak, ADS704	
	Микроволна woodgrain, S-, M-, L-гофр woodgrain/smooth	Другие цвета по каталогу RAL*, DB	



* Указанные в формате RAL **** цвета имеют близкое соответствие шкале RAL.

** Стандартные цвета.

Панель промежуточная

Тип ворот:

- гаражные ворота Prestige с торсионными пружинами всех типов монтажа;
- промышленные ворота ProPlus всех типов монтажа.

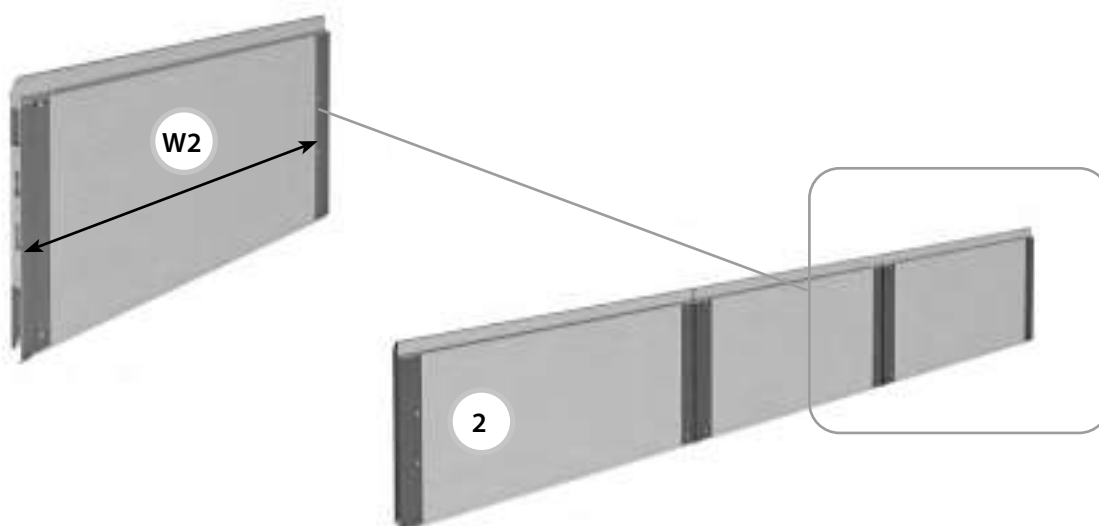
Тип калитки: с плоским порогом 20 мм, с низким порогом 100 мм, со стандартным порогом 145 мм.

Состав: промежуточная панель калитки (боковая часть) с установленными калиточными профилями и уплотнителями, планка ригеля.

Накладные петли (арт. **WH-100**) не входят в состав ремонта при наличии их в исходном изделии.

Единица измерения шт.

Артикул	Тип полотна	Цвет*	Применение
LPU-8	Микроволна woodgrain	RAL 9016, 9007, 9006, 8017, 8014, 7016, 6005, 5010, 3004, 1015, ADS703**	Для ворот с правой калиткой
	S-гофр woodgrain	RAL 9016, 9007, 9006, 9005, 8019, 8017, 8014, 7024, 7016, 6005, 5010, 3004, 1015, ADS703**	
	S-гофр smooth	Golden Oak, Dark Oak	
	M-гофр woodgrain	RAL 9016, 8019, 8017, 7024**	
	M-гофр smooth	RAL 9016, 7016** Golden Oak, Dark Oak, ADS704	
	L-гофр woodgrain	RAL 9016, 8019, 8017**	
	L-гофр smooth	RAL 9016, 9007, 9005, 8017, 7024, 7016, ADS703** Golden Oak, Dark Oak, ADS704	
	Микроволна woodgrain, S-, M-, L-гофр woodgrain/smooth	Другие цвета по каталогу RAL*, DB	
LPU-22	Микроволна woodgrain	RAL 9016, 9007, 9006, 8017, 8014, 7016, 6005, 5010, 3004, 1015, ADS703**	Для ворот с левой калиткой
	S-гофр woodgrain	RAL 9016, 9007, 9006, 9005, 8019, 8017, 8014, 7024, 7016, 6005, 5010, 3004, 1015, ADS703**	
	S-гофр smooth	Golden Oak, Dark Oak	
	M-гофр woodgrain	RAL 9016, 8019, 8017, 7024**	
	M-гофр smooth	RAL 9016, 7016** Golden Oak, Dark Oak, ADS704	
	L-гофр woodgrain	RAL 9016, 8019, 8017**	
	L-гофр smooth	RAL 9016, 9007, 9005, 8017, 7024, 7016, ADS703** Golden Oak, Dark Oak, ADS704	
	Микроволна woodgrain, S-, M-, L-гофр woodgrain/smooth	Другие цвета по каталогу RAL*, DB	



* Указанные в формате RAL **** цвета имеют близкое соответствие шкале RAL.

** Стандартные цвета.

Панель промежуточная

Тип ворот:

- гаражные ворота Prestige с торсионными пружинами всех типов монтажа;
- промышленные ворота ProPlus всех типов монтажа.

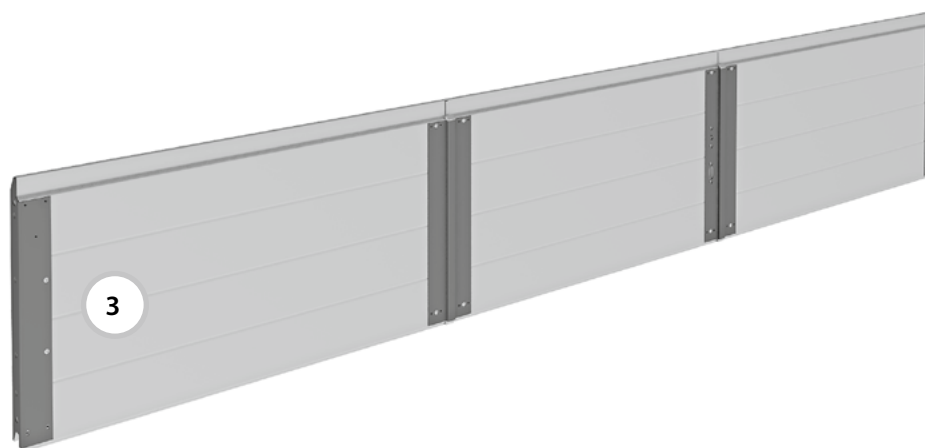
Тип калитки: с плоским порогом 20 мм, с низким порогом 100 мм, со стандартным порогом 145 мм.

Состав: промежуточная калиточная панель с установленными калиточными профилями и уплотнителями.

Накладные петли (арт. **WH-100**) входят в состав ремонта при наличии их в исходном изделии.

Единица измерения шт.

Артикул	Тип полотна	Цвет*	Применение
LPU-32	Микроволна woodgrain	RAL 9016, 9007, 9006, 8017, 8014, 7016, 6005, 5010, 3004, 1015, ADS703**	Для ворот с правой калиткой
	S-гофр woodgrain	RAL 9016, 9007, 9006, 9005, 8019, 8017, 8014, 7024, 7016, 6005, 5010, 3004, 1015, ADS703**	
	S-гофр smooth	Golden Oak, Dark Oak	
	M-гофр woodgrain	RAL 9016, 8019, 8017, 7024**	
	M-гофр smooth	RAL 9016, 7016** Golden Oak, Dark Oak, ADS704	
	L-гофр woodgrain	RAL 9016, 8019, 8017**	
	L-гофр smooth	RAL 9016, 9007, 9005, 8017, 7024, 7016, ADS703** Golden Oak, Dark Oak, ADS704	
	Микроволна woodgrain, S-, M-, L-гофр woodgrain/smooth	Другие цвета по каталогу RAL*, DB	
LPU-42	Микроволна woodgrain	RAL 9016, 9007, 9006, 8017, 8014, 7016, 6005, 5010, 3004, 1015, ADS703**	Для ворот с левой калиткой
	S-гофр woodgrain	RAL 9016, 9007, 9006, 9005, 8019, 8017, 8014, 7024, 7016, 6005, 5010, 3004, 1015, ADS703**	
	S-гофр smooth	Golden Oak, Dark Oak	
	M-гофр woodgrain	RAL 9016, 8019, 8017, 7024**	
	M-гофр smooth	RAL 9016, 7016** Golden Oak, Dark Oak, ADS704	
	L-гофр woodgrain	RAL 9016, 8019, 8017**	
	L-гофр smooth	RAL 9016, 9007, 9005, 8017, 7024, 7016, ADS703** Golden Oak, Dark Oak, ADS704	
	Микроволна woodgrain, S-, M-, L-гофр woodgrain/smooth	Другие цвета по каталогу RAL*, DB	



* Указанные в формате RAL **** цвета имеют близкое соответствие шкале RAL.

** Стандартные цвета.

Панель промежуточная

Тип ворот:

- гаражные ворота Prestige с торсионными пружинами всех типов монтажа;
- промышленные ворота ProPlus всех типов монтажа.

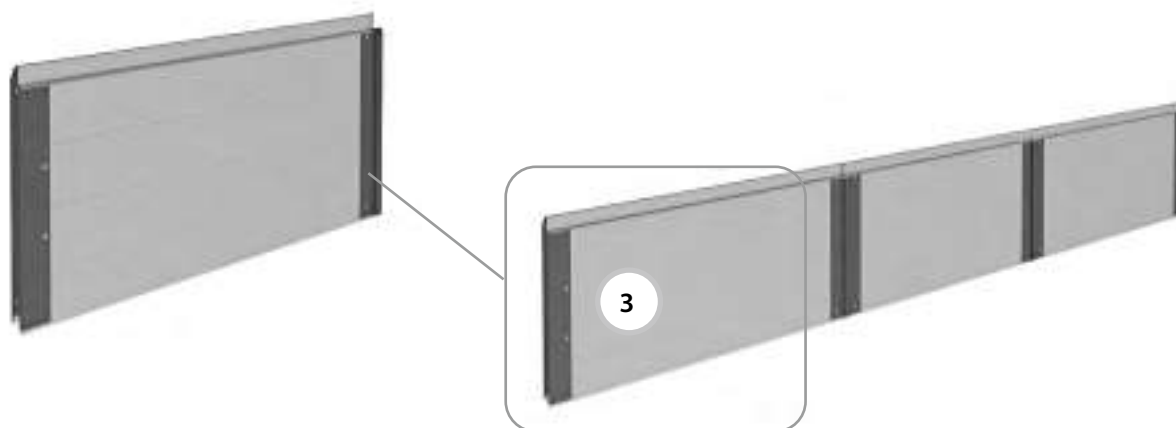
Тип калитки: с плоским порогом 20 мм, с низким порогом 100 мм, со стандартным порогом 145 мм.

Состав: промежуточная панель калитки (боковая часть) с установленными калиточными профилями и уплотнителями.

Накладные петли (арт. **WH-100**) не входят в состав ремонта при наличии их в исходном изделии.

Единица измерения шт.

Артикул	Тип полотна	Цвет*	Применение
LPU-34	Микроволна woodgrain	RAL 9016, 9007, 9006, 8017, 8014, 7016, 6005, 5010, 3004, 1015, ADS703**	Для ворот с правой калиткой
	S-гофр woodgrain	RAL 9016, 9007, 9006, 9005, 8019, 8017, 8014, 7024, 7016, 6005, 5010, 3004, 1015, ADS703**	
	S-гофр smooth	Golden Oak, Dark Oak	
	M-гофр woodgrain	RAL 9016, 8019, 8017, 7024**	
	M-гофр smooth	RAL 9016, 7016** Golden Oak, Dark Oak, ADS704	
	L-гофр woodgrain	RAL 9016, 8019, 8017**	
	L-гофр smooth	RAL 9016, 9007, 9005, 8017, 7024, 7016, ADS703** Golden Oak, Dark Oak, ADS704	
	Микроволна woodgrain, S-, M-, L-гофр woodgrain/smooth	Другие цвета по каталогу RAL*, DB	
LPU-44	Микроволна woodgrain	RAL 9016, 9007, 9006, 8017, 8014, 7016, 6005, 5010, 3004, 1015, ADS703**	Для ворот с левой калиткой
	S-гофр woodgrain	RAL 9016, 9007, 9006, 9005, 8019, 8017, 8014, 7024, 7016, 6005, 5010, 3004, 1015, ADS703**	
	S-гофр smooth	Golden Oak, Dark Oak	
	M-гофр woodgrain	RAL 9016, 8019, 8017, 7024**	
	M-гофр smooth	RAL 9016, 7016** Golden Oak, Dark Oak, ADS704	
	L-гофр woodgrain	RAL 9016, 8019, 8017**	
	L-гофр smooth	RAL 9016, 9007, 9005, 8017, 7024, 7016, ADS703** Golden Oak, Dark Oak, ADS704	
	Микроволна woodgrain, S-, M-, L-гофр woodgrain/smooth	Другие цвета по каталогу RAL*, DB	



* Указанные в формате RAL **** цвета имеют близкое соответствие шкале RAL.

** Стандартные цвета.

Панель промежуточная

Тип ворот:

- гаражные ворота Prestige с торсионными пружинами всех типов монтажа;
- промышленные ворота ProPlus всех типов монтажа.

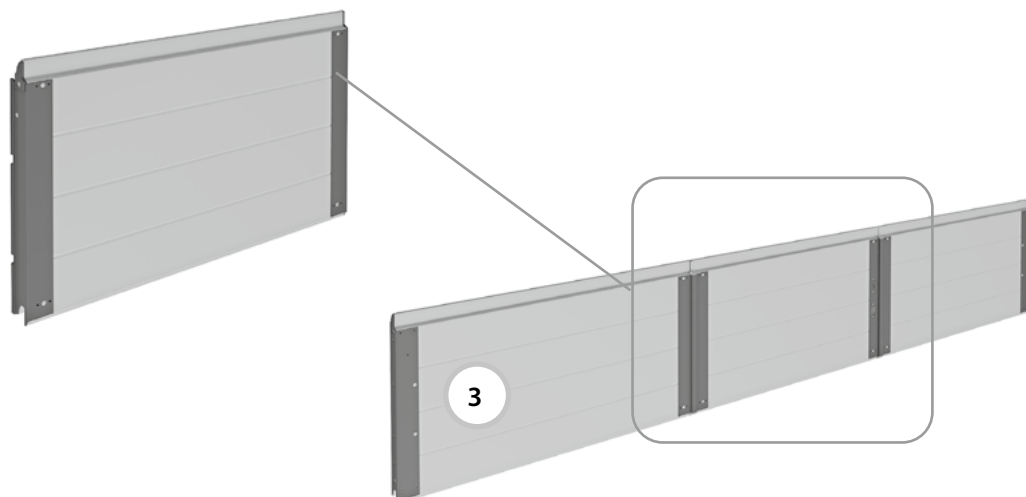
Тип калитки: с плоским порогом 20 мм, с низким порогом 100 мм, со стандартным порогом 145 мм.

Состав: промежуточная панель калитки (центральная часть) с установленными калиточными профилями и уплотнителями.

Накладные петли (арт. **WH-100**) не входят в состав ремонта при наличии их в исходном изделии.

Единица измерения шт.

Артикул	Тип полотна	Цвет*	Применение
LPU-35	Микроволна woodgrain	RAL 9016, 9007, 9006, 8017, 8014, 7016, 6005, 5010, 3004, 1015, ADS703**	Для ворот с правой калиткой
	S-гофр woodgrain	RAL 9016, 9007, 9006, 9005, 8019, 8017, 8014, 7024, 7016, 6005, 5010, 3004, 1015, ADS703**	
	S-гофр smooth	Golden Oak, Dark Oak	
	M-гофр woodgrain	RAL 9016, 8019, 8017, 7024**	
	M-гофр smooth	RAL 9016, 7016** Golden Oak, Dark Oak, ADS704	
	L-гофр woodgrain	RAL 9016, 8019, 8017**	
	L-гофр smooth	RAL 9016, 9007, 9005, 8017, 7024, 7016, ADS703** Golden Oak, Dark Oak, ADS704	
	Микроволна woodgrain, S-, M-, L-гофр woodgrain/smooth	Другие цвета по каталогу RAL*, DB	
LPU-45	Микроволна woodgrain	RAL 9016, 9007, 9006, 8017, 8014, 7016, 6005, 5010, 3004, 1015, ADS703**	Для ворот с левой калиткой
	S-гофр woodgrain	RAL 9016, 9007, 9006, 9005, 8019, 8017, 8014, 7024, 7016, 6005, 5010, 3004, 1015, ADS703**	
	S-гофр smooth	Golden Oak, Dark Oak	
	M-гофр woodgrain	RAL 9016, 8019, 8017, 7024**	
	M-гофр smooth	RAL 9016, 7016** Golden Oak, Dark Oak, ADS704	
	L-гофр woodgrain	RAL 9016, 8019, 8017**	
	L-гофр smooth	RAL 9016, 9007, 9005, 8017, 7024, 7016, ADS703** Golden Oak, Dark Oak, ADS704	
	Микроволна woodgrain, S-, M-, L-гофр woodgrain/smooth	Другие цвета по каталогу RAL*, DB	



* Указанные в формате RAL **** цвета имеют близкое соответствие шкале RAL.

** Стандартные цвета.

Панель промежуточная

Тип ворот:

- гаражные ворота Prestige с торсионными пружинами всех типов монтажа;
- промышленные ворота ProPlus всех типов монтажа.

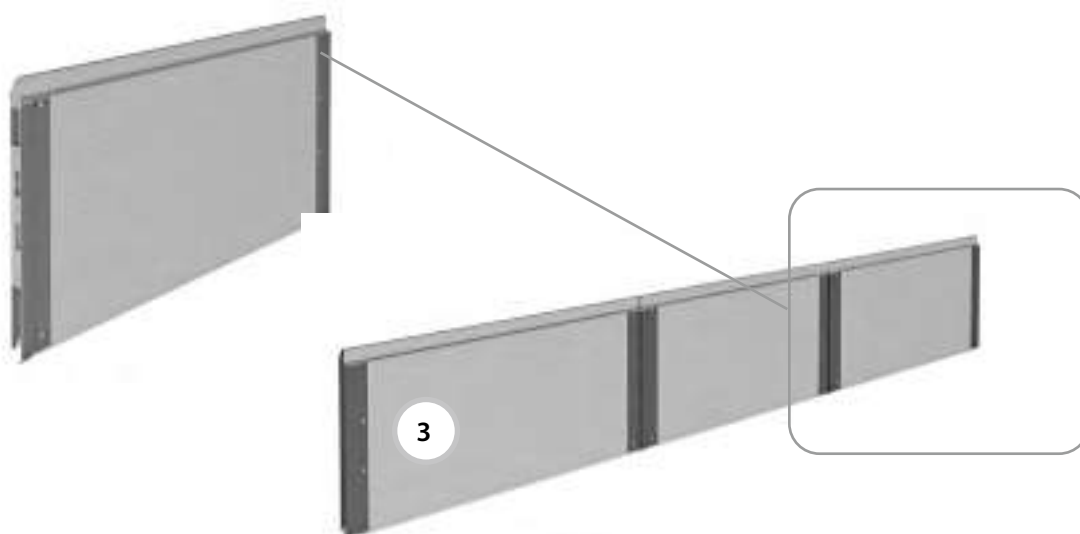
Тип калитки: с плоским порогом 20 мм, с низким порогом 100 мм, со стандартным порогом 145 мм.

Состав: промежуточная панель калитки (боковая часть) с установленными калиточными профилями и уплотнителями.

Накладные петли (арт. **WH-100**) не входят в состав ремонта при наличии их в исходном изделии.

Единица измерения шт.

Артикул	Тип полотна	Цвет*	Применение
LPU-36	Микроволна woodgrain	RAL 9016, 9007, 9006, 8017, 8014, 7016, 6005, 5010, 3004, 1015, ADS703**	Для ворот с правой калиткой
	S-гофр woodgrain	RAL 9016, 9007, 9006, 9005, 8019, 8017, 8014, 7024, 7016, 6005, 5010, 3004, 1015, ADS703**	
	S-гофр smooth	Golden Oak, Dark Oak	
	M-гофр woodgrain	RAL 9016, 8019, 8017, 7024**	
	M-гофр smooth	RAL 9016, 7016** Golden Oak, Dark Oak, ADS704	
	L-гофр woodgrain	RAL 9016, 8019, 8017**	
	L-гофр smooth	RAL 9016, 9007, 9005, 8017, 7024, 7016, ADS703** Golden Oak, Dark Oak, ADS704	
	Микроволна woodgrain, S-, M-, L-гофр woodgrain/smooth	Другие цвета по каталогу RAL*, DB	
LPU-46	Микроволна woodgrain	RAL 9016, 9007, 9006, 8017, 8014, 7016, 6005, 5010, 3004, 1015, ADS703**	Для ворот с левой калиткой
	S-гофр woodgrain	RAL 9016, 9007, 9006, 9005, 8019, 8017, 8014, 7024, 7016, 6005, 5010, 3004, 1015, ADS703**	
	S-гофр smooth	Golden Oak, Dark Oak	
	M-гофр woodgrain	RAL 9016, 8019, 8017, 7024**	
	M-гофр smooth	RAL 9016, 7016** Golden Oak, Dark Oak, ADS704	
	L-гофр woodgrain	RAL 9016, 8019, 8017**	
	L-гофр smooth	RAL 9016, 9007, 9005, 8017, 7024, 7016, ADS703** Golden Oak, Dark Oak, ADS704	
	Микроволна woodgrain, S-, M-, L-гофр woodgrain/smooth	Другие цвета по каталогу RAL*, DB	



* Указанные в формате RAL **** цвета имеют близкое соответствие шкале RAL.

** Стандартные цвета.

Панель промежуточная

Тип ворот:

- гаражные ворота Prestige с торсионными пружинами всех типов монтажа;
- промышленные ворота ProPlus всех типов монтажа.

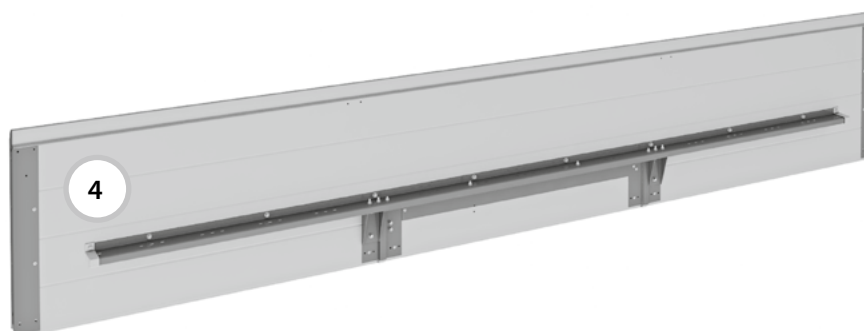
Тип калитки: с плоским порогом 20 мм, с низким порогом 100 мм, со стандартным порогом 145 мм.

Состав: верхняя калиточная панель с установленными калиточными профилями и уплотнителями, верхний усиливающий профиль, пластина соединительная (для монтажа доводчика), шина доводчика.

Доводчик и тяга доводчика в ремонтный узел не входят. Накладные петли (арт. WH-100) входят в состав ремонта при наличии их в исходном изделии..

Единица измерения шт.

Артикул	Тип полотна	Цвет*	Применение
LPU-37	Микроволна woodgrain	RAL 9016, 9007, 9006, 8017, 8014, 7016, 6005, 5010, 3004, 1015, ADS703**	Для ворот с правой калиткой
	S-гофр woodgrain	RAL 9016, 9007, 9006, 9005, 8019, 8017, 8014, 7024, 7016, 6005, 5010, 3004, 1015, ADS703**	
	S-гофр smooth	Golden Oak, Dark Oak	
	M-гофр woodgrain	RAL 9016, 8019, 8017, 7024**	
	M-гофр smooth	RAL 9016, 7016** Golden Oak, Dark Oak, ADS704	
	L-гофр woodgrain	RAL 9016, 8019, 8017**	
	L-гофр smooth	RAL 9016, 9007, 9005, 8017, 7024, 7016, ADS703** Golden Oak, Dark Oak, ADS704	
	Микроволна woodgrain, S-, M-, L-гофр woodgrain/smooth	Другие цвета по каталогу RAL*, DB	
LPU-47	Микроволна woodgrain	RAL 9016, 9007, 9006, 8017, 8014, 7016, 6005, 5010, 3004, 1015, ADS703**	Для ворот с левой калиткой
	S-гофр woodgrain	RAL 9016, 9007, 9006, 9005, 8019, 8017, 8014, 7024, 7016, 6005, 5010, 3004, 1015, ADS703**	
	S-гофр smooth	Golden Oak, Dark Oak	
	M-гофр woodgrain	RAL 9016, 8019, 8017, 7024**	
	M-гофр smooth	RAL 9016, 7016** Golden Oak, Dark Oak, ADS704	
	L-гофр woodgrain	RAL 9016, 8019, 8017**	
	L-гофр smooth	RAL 9016, 9007, 9005, 8017, 7024, 7016, ADS703** Golden Oak, Dark Oak, ADS704	
	Микроволна woodgrain, S-, M-, L-гофр woodgrain/smooth	Другие цвета по каталогу RAL*, DB	

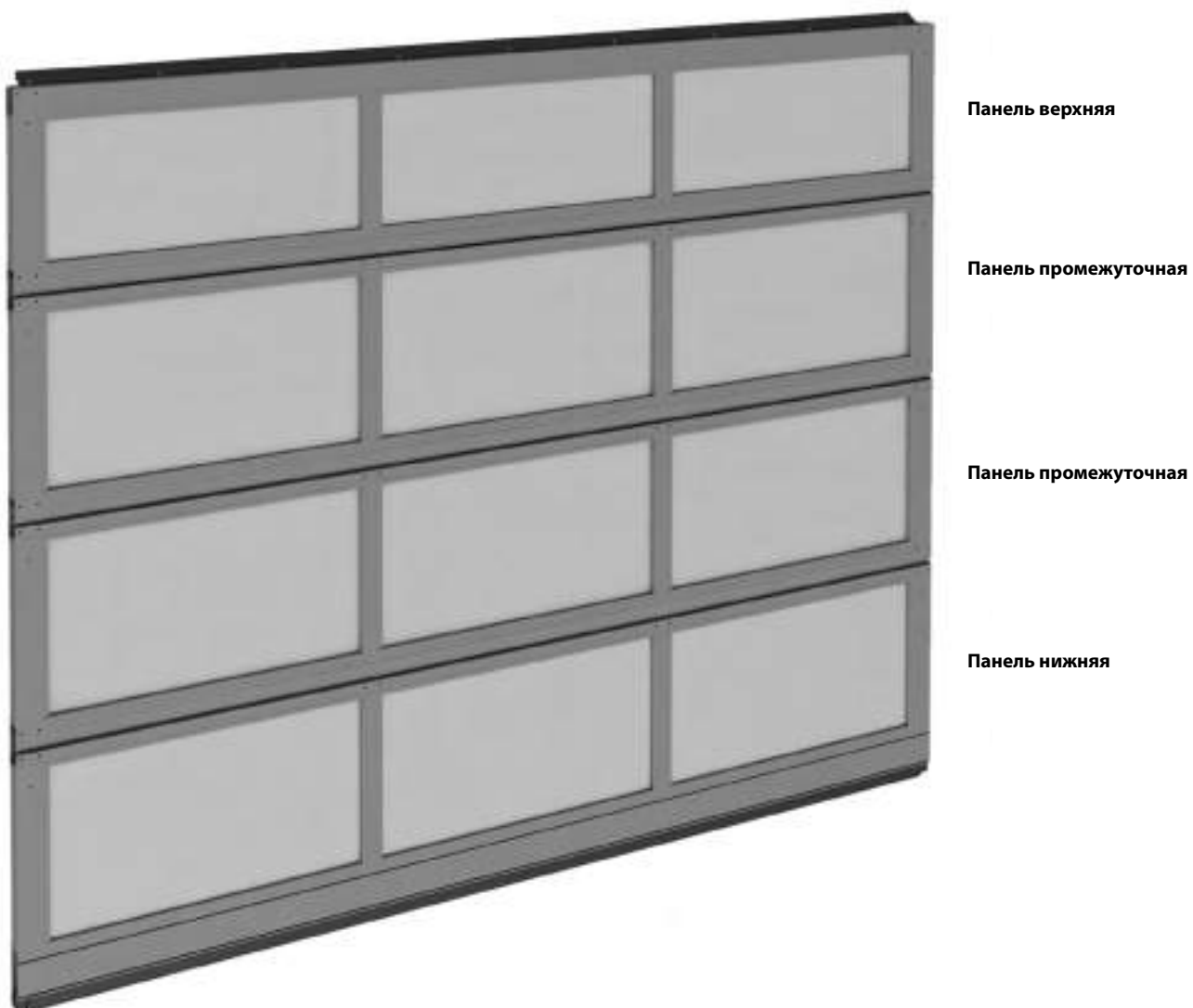


* Указанные в формате RAL **** цвета имеют близкое соответствие шкале RAL.

** Стандартные цвета.

ПАНОРАМНОЕ ПОЛОТНО ВОРОТ БЕЗ КАЛИТКИ

ТИПОВАЯ КОНСТРУКЦИЯ ПАНОРАМНОГО ПОЛОТНА ВОРОТ БЕЗ КАЛИТКИ



Полотно воротное

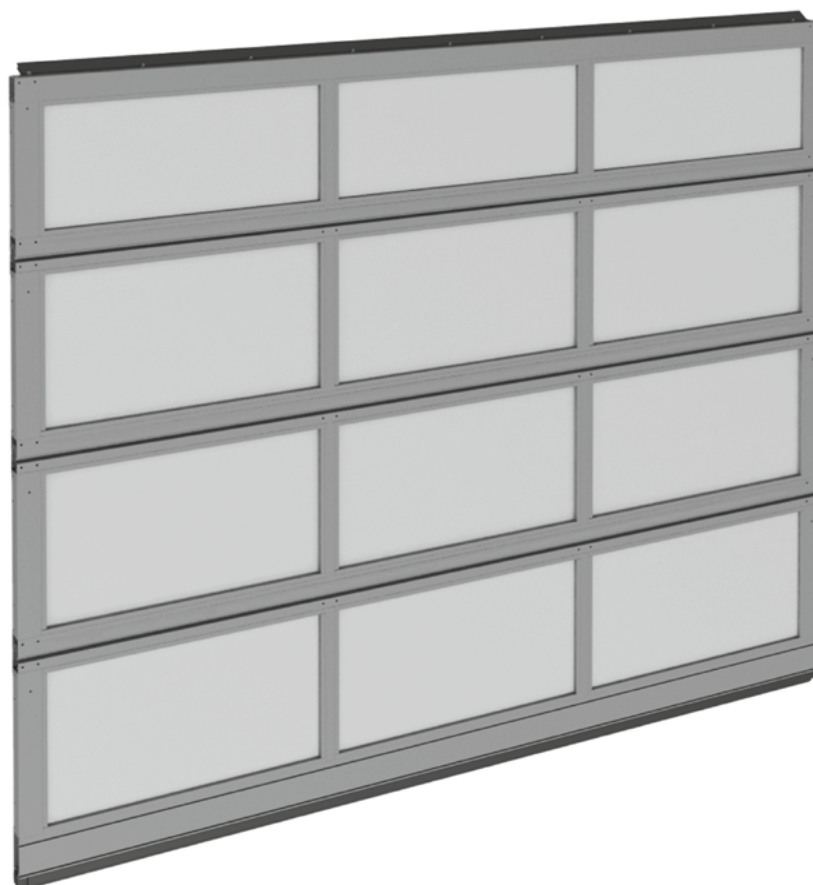
Серия ворот: панорамные ворота AluPro, AluTherm.

Тип полотна ворот: АЛП.

Состав: панорамные панели, нижняя и верхняя уплотнительные вставки, упоры нижние.

Единица измерения шт.

Артикул	Серия ворот	Цвет*
GLG-7	AluPro	A00-D6, RAL 9016, 8014, 9006, 5010, 1015, 3004, 6005, 8017, 7016**
		Другой цвет по каталогу RAL или ADS703
	AluTherm	RAL 9016, 8014, 9006, 5010**
		Другой цвет по каталогу RAL или ADS703



* Указанные в формате RAL **** цвета имеют близкое соответствие шкале RAL.

** Стандартные цвета.

Полотно воротное

Серия ворот: панорамные ворота AluPro, AluTherm.

Тип полотна ворот: АЛПС.

Состав: нижняя сэндвич-панель, промежуточные и верхняя панорамные панели, нижний концевой профиль, нижняя и верхняя уплотнительные вставки, упоры нижние.

Единица измерения шт.

Артикул	Серия ворот	Цвет*
GLG-10	AluPro	A00-D6, RAL 9016, 8014, 9006, 5010, 1015, 3004, 6005, 8017, 7016**
		Другой цвет по каталогу RAL или ADS703
	AluTherm	RAL 9016, 8014, 9006, 5010**
		Другой цвет по каталогу RAL или ADS703



* Указанные в формате RAL **** цвета имеют близкое соответствие шкале RAL.

** Стандартные цвета.

Панель нижняя

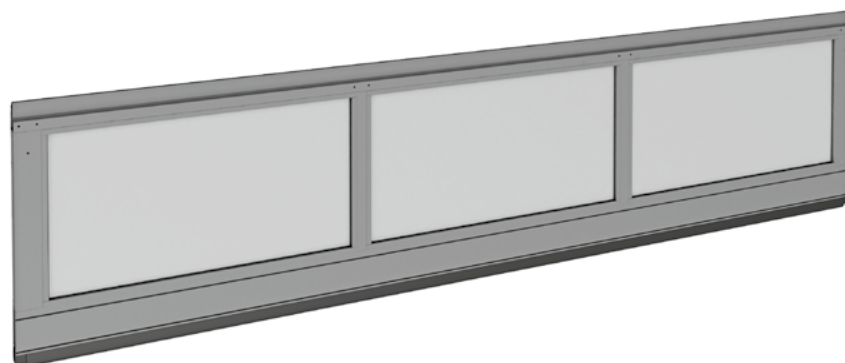
Серия ворот: панорамные ворота AluPro, AluTherm.

Тип полотна ворот: АЛП.

Состав: нижняя панорамная панель, нижняя уплотнительная вставка, упоры нижние.

Единица измерения шт.

Артикул	Серия ворот	Цвет*
LPA-27	AluPro	A00-D6, RAL 9016, 8014, 9006, 5010, 1015, 3004, 6005, 8017, 7016**
		Другой цвет по каталогу RAL или ADS703
	AluTherm	RAL 9016, 8014, 9006, 5010**
		Другой цвет по каталогу RAL или ADS703



* Указанные в формате RAL **** цвета имеют близкое соответствие шкале RAL.

** Стандартные цвета.

Панель промежуточная

Серия ворот:

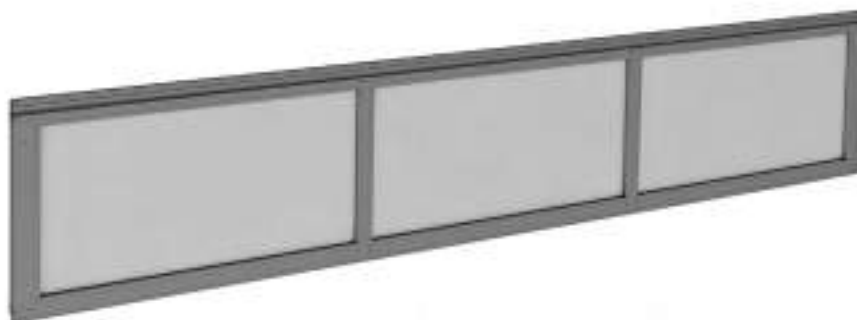
- панорамные ворота AluPro, AluTherm;
- гаражные ворота Prestige (ПО серии AluPro, AluTherm);
- промышленные ворота ProPlus (ПО серии AluPro, AluTherm).

Тип полотна ворот: АЛП, АЛПС, ПО.

Состав: промежуточная панорамная панель.

Единица измерения шт.

Артикул	Серия ворот	Цвет*
LPA-28	AluPro	A00-D6, RAL 9016, 8014, 9006, 5010, 1015, 3004, 6005, 8017, 7016**
		Другой цвет по каталогу RAL или ADS703
	AluTherm	RAL 9016, 8014, 9006, 5010**
		Другой цвет по каталогу RAL или ADS703



* Указанные в формате RAL **** цвета имеют близкое соответствие шкале RAL.

** Стандартные цвета.

Панель верхняя

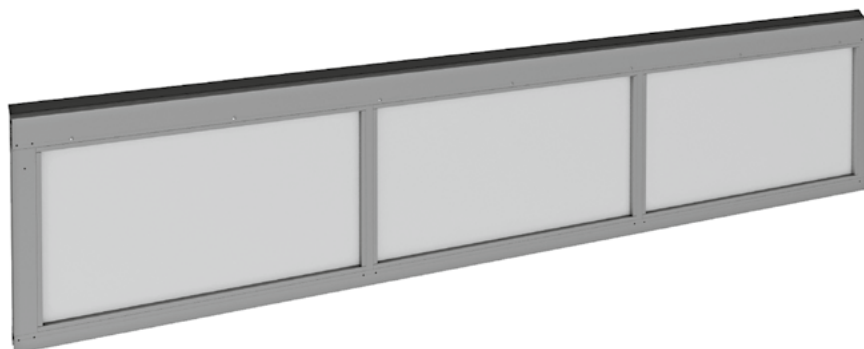
Серия ворот: панорамные ворота AluPro, AluTherm.

Тип полотна ворот: АЛП, АЛПС.

Состав: верхняя панорамная панель, верхняя уплотнительная вставка.

Единица измерения шт.

Артикул	Серия ворот	Цвет*
LPA-29	AluPro	A00-D6, RAL 9016, 8014, 9006, 5010, 1015, 3004, 6005, 8017, 7016**
		Другой цвет по каталогу RAL или ADS703
	AluTherm	RAL 9016, 8014, 9006, 5010**
		Другой цвет по каталогу RAL или ADS703



* Указанные в формате RAL **** цвета имеют близкое соответствие шкале RAL.

** Стандартные цвета.

Вставка светопрозрачная различных типоразмеров

Серия ворот:

- панорамные ворота AluPro, AluTherm;
- гаражные ворота Prestige (ПО серии AluPro, AluTherm);
- промышленные ворота ProPlus (ПО серии AluPro, AluTherm).

Тип полотна ворот: АЛП, АЛПС, ПО.

Состав: светопрозрачная вставка из SAN-стекла.

Тип и оттенок остекления, наличие либо отсутствие двойного контура герметизации и стойкого к образованию царапин покрытия определяются параметрами исходного изделия.

Единица измерения шт.

Артикул	Код
LKU-80	406103100

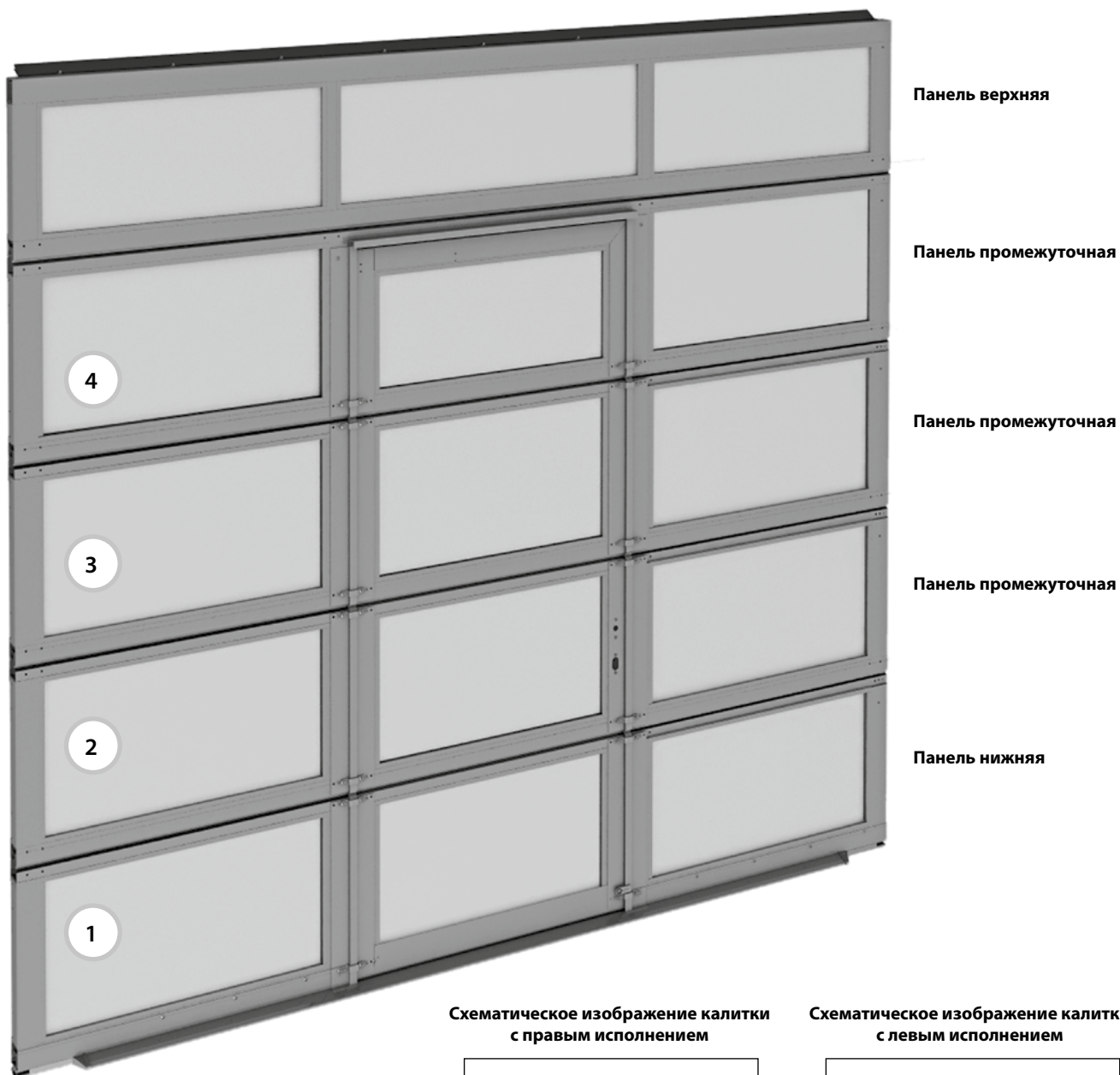


* Указанные в формате RAL **** цвета имеют близкое соответствие шкале RAL.

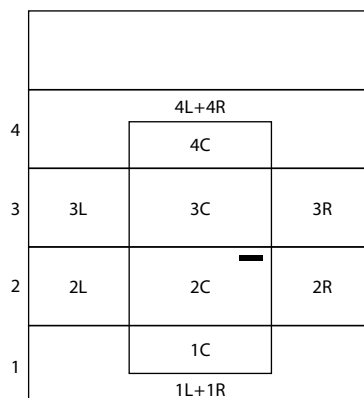
** Стандартные цвета.

ПАНОРАМНОЕ ПОЛОТНО ВОРОТ С КАЛИТКОЙ

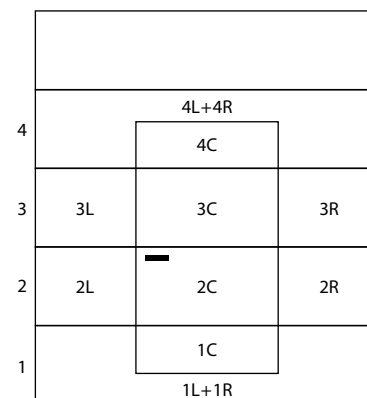
ТИПОВАЯ КОНСТРУКЦИЯ ПАНОРАМНОГО ПОЛОТНА ВОРОТ С КАЛИТКОЙ



Схематическое изображение калитки с правым исполнением



Схематическое изображение калитки с левым исполнением



при взгляде изнутри

Полотно воротное

Серия ворот: панорамные ворота AluPro, AluTherm.

Тип полотна ворот: АЛП.

Тип калитки: с плоским порогом 20 мм, со стандартным порогом 149 мм.

Состав: панорамные панели, пластина соединительная (для монтажа доводчика), нижняя и верхняя уплотнительные вставки, упоры нижние, комплект калиточных профилей и уплотнителей, замок калитки (планка ригеля, ригель), усиливающие профили калитки, контакт калитки.

Накладные петли (арт. WH-100) входят в состав ремонта при наличии их в исходном изделии.

Единица измерения шт.

Артикул	Серия панорамных панелей	Цвет*	Применение
GLG-5	AluPro	A00-D6, RAL 9016, 8014, 9006, 5010, 1015, 3004, 6005, 8017, 7016**	Для ворот с правой калиткой
		Другой цвет по каталогу RAL или ADS703	
	AluTherm	RAL 9016, 8014, 9006, 5010	
		Другой цвет по каталогу RAL или ADS703	
GLG-6	AluPro	A00-D6, RAL 9016, 8014, 9006, 5010, 1015, 3004, 6005, 8017, 7016**	Для ворот с левой калиткой
		Другой цвет по каталогу RAL или ADS703	
	AluTherm	RAL 9016, 8014, 9006, 5010	
		Другой цвет по каталогу RAL или ADS703	



Калитка с плоским порогом
20 мм



Калитка со стандартным порогом
149 мм

* Указанные в формате RAL **** цвета имеют близкое соответствие шкале RAL.

** Стандартные цвета.

Полотно воротное

Серия ворот: панорамные ворота AluPro, AluTherm.

Тип полотна ворот: АЛПС.

Тип калитки: с плоским порогом 20 мм, с низким порогом 100 мм, со стандартным порогом 145 мм.

Состав: нижняя сэндвич-панель, промежуточные и верхняя панорамные панели, пластина соединительная (для монтажа доводчика), нижний концевой профиль, нижняя и верхняя уплотнительные вставки, упоры нижние, комплект калиточных профилей и уплотнителей, замок калитки (планка ригеля, ригель), усиливающие профили калитки, контакт калитки.

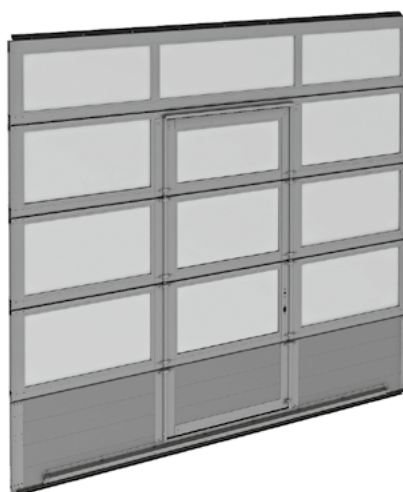
Накладные петли (арт. **WH-100**) входят в состав ремонта при наличии их в исходном изделии.

Единица измерения шт.

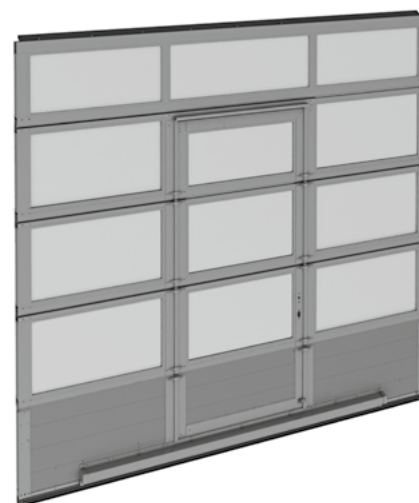
Артикул	Серия панорамных панелей	Цвет*	Применение
GLG-8	AluPro	A00-D6, RAL 9016, 8014, 9006, 5010, 1015, 3004, 6005, 8017, 7016**	Для ворот с правой калиткой
		Другой цвет по каталогу RAL или ADS703	
	AluTherm	RAL 9016, 8014, 9006, 5010	
		Другой цвет по каталогу RAL или ADS703	
GLG-9	AluPro	A00-D6, RAL 9016, 8014, 9006, 5010, 1015, 3004, 6005, 8017, 7016**	Для ворот с левой калиткой
		Другой цвет по каталогу RAL или ADS703	
	AluTherm	RAL 9016, 8014, 9006, 5010	
		Другой цвет по каталогу RAL или ADS703	



**Калитка с плоским порогом
20 мм**



**Калитка с низким порогом
100 мм**



**Калитка со стандартным порогом
145 мм**

* Указанные в формате RAL **** цвета имеют близкое соответствие шкале RAL.

** Стандартные цвета.

Панель нижняя

Серия ворот: панорамные ворота AluPro, AluTherm.

Тип полотна ворот: АЛП.

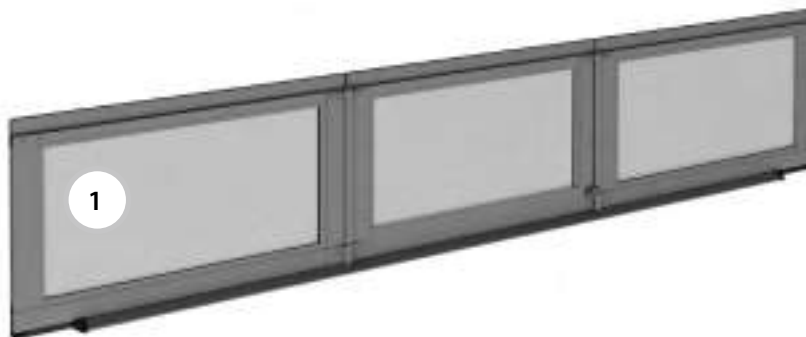
Тип калитки: с плоским порогом 20 мм, со стандартным порогом 149 мм.

Состав: нижняя панорамная панель, нижняя уплотнительная вставка, комплект калиточных профилей и уплотнителей для нижней панели, нижний усиливающий профиль калитки, упоры нижние, контакт калитки.

Накладные петли (арт. WH-100) входят в состав ремонта при наличии их в исходном изделии.

Единица измерения шт.

Артикул	Серия панорамных панелей	Цвет*	Применение
LPA-1	AluPro	A00-D6, RAL 9016, 8014, 9006, 5010, 1015, 3004, 6005, 8017, 7016**	Для ворот с правой калиткой
		Другой цвет по каталогу RAL или ADS703	
	AluTherm	RAL 9016, 8014, 9006, 5010	
		Другой цвет по каталогу RAL или ADS703	
LPA-15	AluPro	A00-D6, RAL 9016, 8014, 9006, 5010, 1015, 3004, 6005, 8017, 7016**	Для ворот с левой калиткой
		Другой цвет по каталогу RAL или ADS703	
	AluTherm	RAL 9016, 8014, 9006, 5010	
		Другой цвет по каталогу RAL или ADS703	



Калитка с плоским порогом 20 мм



Калитка со стандартным порогом 149 мм

* Указанные в формате RAL **** цвета имеют близкое соответствие шкале RAL.

** Стандартные цвета.

Панель нижняя

Серия ворот: панорамные ворота AluPro, AluTherm.

Тип полотна ворот: АЛП.

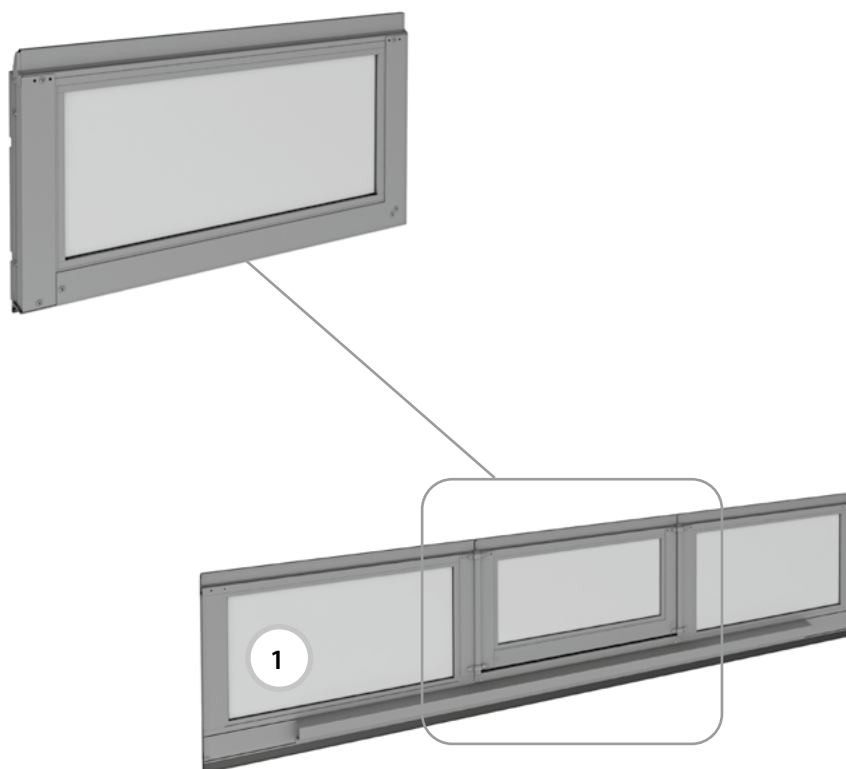
Тип калитки: с плоским порогом 20 мм, со стандартным порогом 149 мм.

Состав: нижняя панель калитки с установленными профилями калитки.

Накладные петли (арт. WH-100) не входят в состав ремонта при наличии их в исходном изделии.

Единица измерения шт.

Артикул	Серия панорамных панелей	Цвет*	Применение
LPA-3	AluPro	A00-D6, RAL 9016, 8014, 9006, 5010, 1015, 3004, 6005, 8017, 7016**	Для ворот с правой калиткой
		Другой цвет по каталогу RAL или ADS703	
	AluTherm	RAL 9016, 8014, 9006, 5010	
		Другой цвет по каталогу RAL или ADS703	
LPA-17	AluPro	A00-D6, RAL 9016, 8014, 9006, 5010, 1015, 3004, 6005, 8017, 7016**	Для ворот с левой калиткой
		Другой цвет по каталогу RAL или ADS703	
	AluTherm	RAL 9016, 8014, 9006, 5010	
		Другой цвет по каталогу RAL или ADS703	



* Указанные в формате RAL **** цвета имеют близкое соответствие шкале RAL.

** Стандартные цвета.

Панель промежуточная

Серия ворот:

- панорамные ворота AluPro, AluTherm;
- гаражные ворота Prestige (ПО серии AluPro, AluTherm);
- промышленные ворота ProPlus (ПО серии AluPro, AluTherm).

Тип полотна ворот: АЛП, АЛПС, ПО.

Тип калитки:

- с плоским порогом 20 мм, со стандартным порогом 149 мм (АЛП);
- с плоским порогом 20 мм, с низким порогом 100 мм, со стандартным порогом 145 мм (АЛПС, ПО).

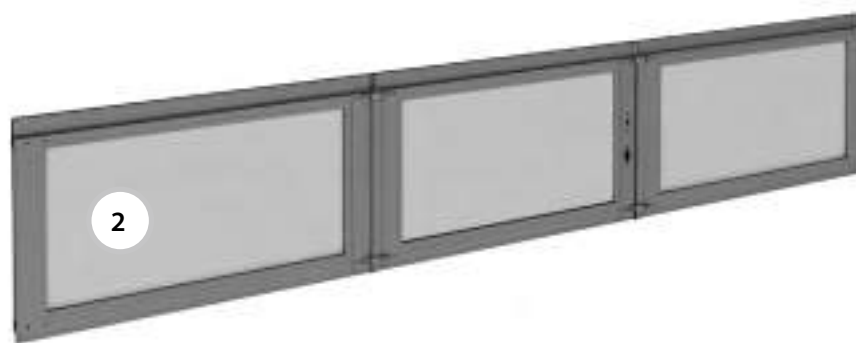
Состав: промежуточная калиточная панель с установленными калиточными профилями и уплотнителями, замок калитки (ригель).

Комплект ручек и цилиндрический механизм в ремонтный узел не входят.

Накладные петли (арт. **WH-100**) входят в состав ремонта при наличии их в исходном изделии.

Единица измерения шт.

Артикул	Серия панорамных панелей	Цвет*	Применение
LPA-31	AluPro	A00-D6, RAL 9016, 8014, 9006, 5010, 1015, 3004, 6005, 8017, 7016**	Для ворот с правой калиткой
		Другой цвет по каталогу RAL или ADS703	
	AluTherm	RAL 9016, 8014, 9006, 5010	
		Другой цвет по каталогу RAL или ADS703	
LPA-41	AluPro	A00-D6, RAL 9016, 8014, 9006, 5010, 1015, 3004, 6005, 8017, 7016**	Для ворот с левой калиткой
		Другой цвет по каталогу RAL или ADS703	
	AluTherm	RAL 9016, 8014, 9006, 5010	
		Другой цвет по каталогу RAL или ADS703	



* Указанные в формате RAL **** цвета имеют близкое соответствие шкале RAL.

** Стандартные цвета.

Панель промежуточная

Серия ворот:

- панорамные ворота AluPro, AluTherm;
- гаражные ворота Prestige (ПО серия AluPro, AluTherm);
- промышленные ворота ProPlus (ПО серия AluPro, AluTherm).

Тип полотна ворот: АЛП, АЛПС, ПО.

Тип калитки:

- с плоским порогом 20 мм, со стандартным порогом 149 мм (АЛП);
- с плоским порогом 20 мм, с низким порогом 100 мм, со стандартным порогом 145 мм (АЛПС, ПО).

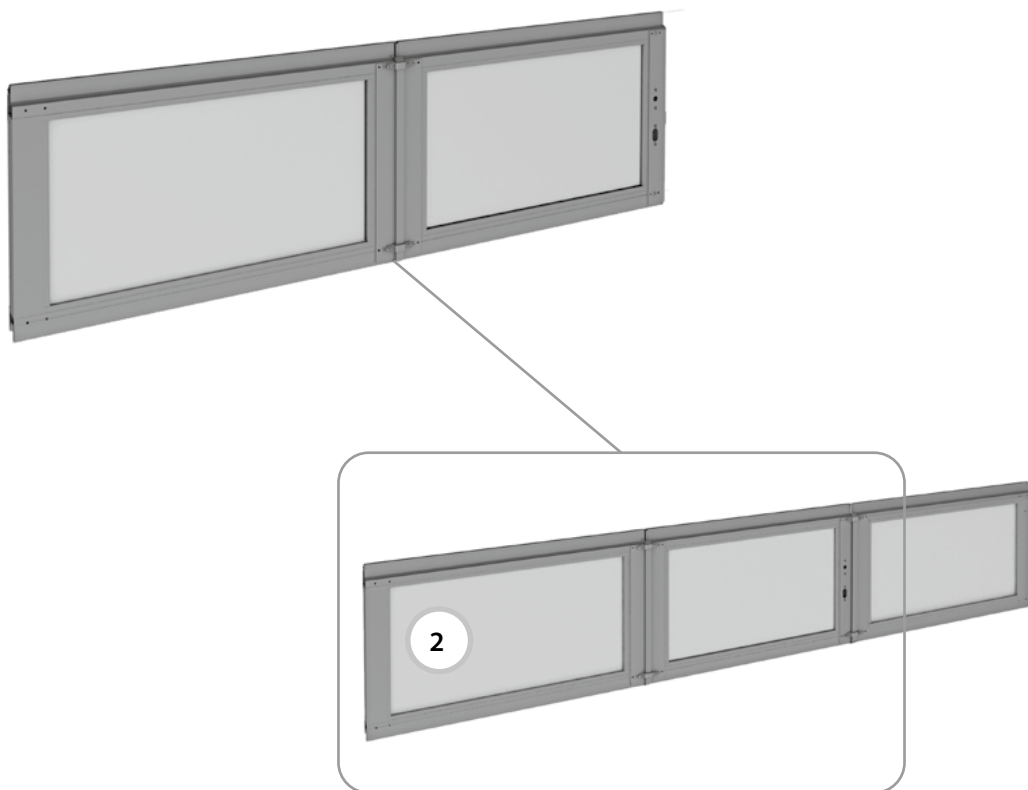
Состав: промежуточные панели калитки (боковая и центральная часть) с установленными калиточными профилями и уплотнителями, замок калитки (ригель).

Комплект ручек и цилиндрический механизм в ремонтный узел не входят.

Накладные петли (арт. WH-100) не входят в состав ремонта при наличии их в исходном изделии.

Единица измерения шт.

Артикул	Серия панорамных панелей	Цвет*	Применение
LPA-5	AluPro	A00-D6, RAL 9016, 8014, 9006, 5010, 1015, 3004, 6005, 8017, 7016** Другой цвет по каталогу RAL или ADS703	Для ворот с правой калиткой
	AluTherm	RAL 9016, 8014, 9006, 5010 Другой цвет по каталогу RAL или ADS703	
LPA-19	AluPro	A00-D6, RAL 9016, 8014, 9006, 5010, 1015, 3004, 6005, 8017, 7016** Другой цвет по каталогу RAL или ADS703	Для ворот с левой калиткой
	AluTherm	RAL 9016, 8014, 9006, 5010 Другой цвет по каталогу RAL или ADS703	



* Указанные в формате RAL **** цвета имеют близкое соответствие шкале RAL.

** Стандартные цвета.

Панель промежуточная

Серия ворот:

- панорамные ворота AluPro, AluTherm;
- гаражные ворота Prestige (ПО серия AluPro, AluTherm);
- промышленные ворота ProPlus (ПО серия AluPro, AluTherm).

Тип полотна ворот: АЛП, АЛПС, ПО.

Тип калитки:

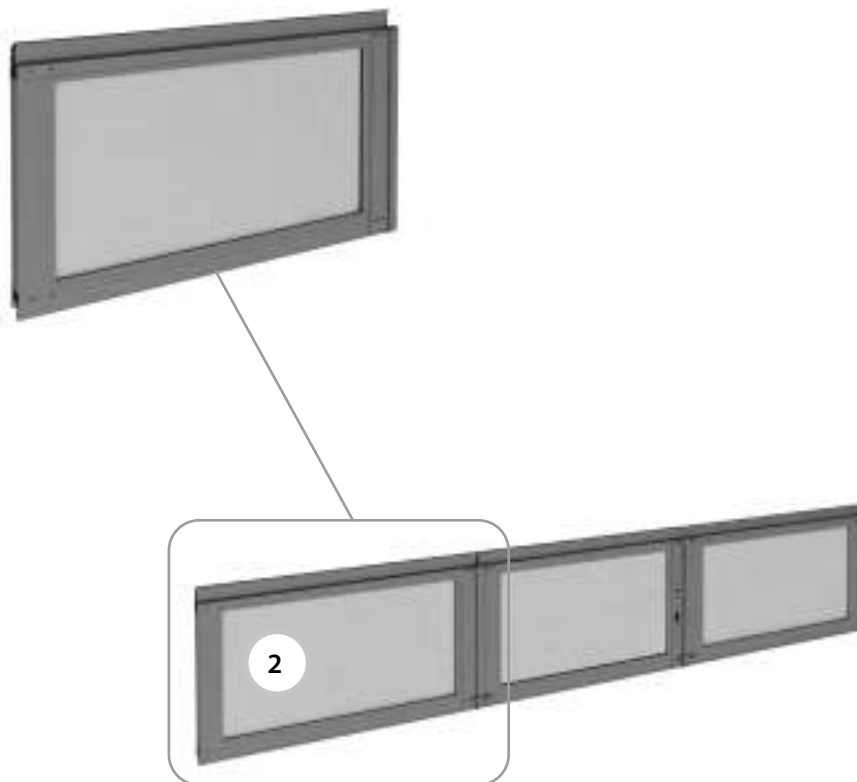
- с плоским порогом 20 мм, со стандартным порогом 149 мм (АЛП);
- с плоским порогом 20 мм, с низким порогом 100 мм, со стандартным порогом 145 мм (АЛПС, ПО).

Состав: промежуточная панель калитки (боковая часть) с установленными калиточными профилями и уплотнителями.

Накладные петли (арт. **WH-100**) не входят в состав ремонта при наличии их в исходном изделии.

Единица измерения шт.

Артикул	Серия панорамных панелей	Цвет*	Применение
LPA-6	AluPro	A00-D6, RAL 9016, 8014, 9006, 5010, 1015, 3004, 6005, 8017, 7016**	Для ворот с правой калиткой
		Другой цвет по каталогу RAL или ADS703	
	AluTherm	RAL 9016, 8014, 9006, 5010	
		Другой цвет по каталогу RAL или ADS703	
LPA-20	AluPro	A00-D6, RAL 9016, 8014, 9006, 5010, 1015, 3004, 6005, 8017, 7016**	Для ворот с левой калиткой
		Другой цвет по каталогу RAL или ADS703	
	AluTherm	RAL 9016, 8014, 9006, 5010	
		Другой цвет по каталогу RAL или ADS703	



* Указанные в формате RAL **** цвета имеют близкое соответствие шкале RAL.

** Стандартные цвета.

Панель промежуточная

Серия ворот:

- панорамные ворота AluPro, AluTherm;
- гаражные ворота Prestige (ПО серия AluPro, AluTherm);
- промышленные ворота ProPlus (ПО серия AluPro, AluTherm).

Тип полотна ворот: АЛП, АЛПС, ПО.

Тип калитки:

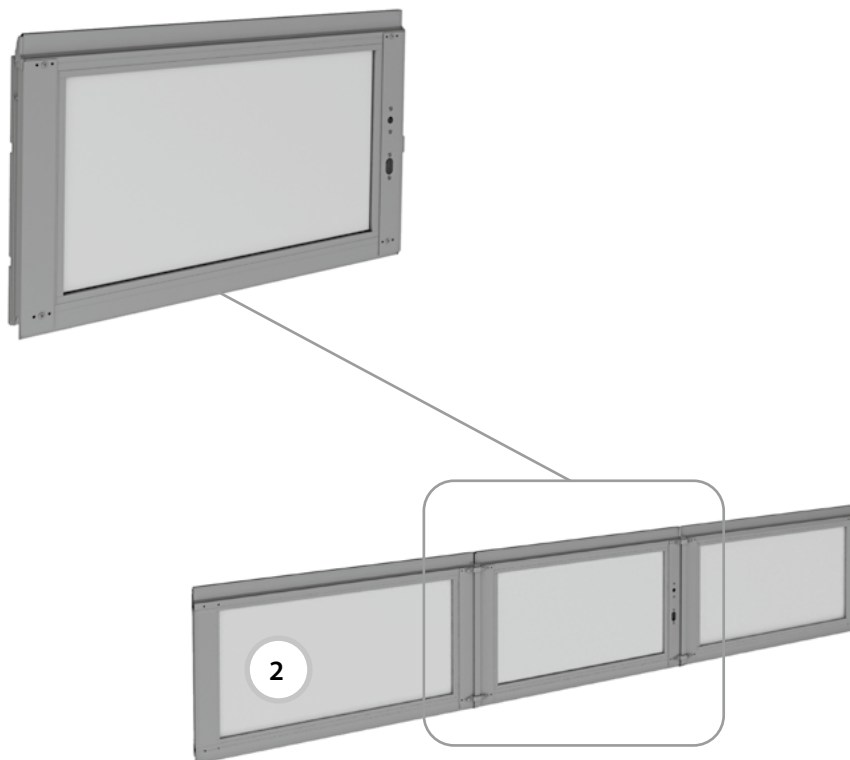
- с плоским порогом 20 мм, со стандартным порогом 149 мм (АЛП);
- с плоским порогом 20 мм, с низким порогом 100 мм, со стандартным порогом 145 мм (АЛПС, ПО).

Состав: промежуточная панель калитки (центральная часть) с установленными калиточными профилями и уплотнителями, замок калитки (ригель).

Накладные петли (арт. WH-100) не входят в состав ремонта при наличии их в исходном изделии.

Единица измерения шт.

Артикул	Серия панорамных панелей	Цвет*	Применение
LPA-7	AluPro	A00-D6, RAL 9016, 8014, 9006, 5010, 1015, 3004, 6005, 8017, 7016** Другой цвет по каталогу RAL или ADS703	Для ворот с правой калиткой
	AluTherm	RAL 9016, 8014, 9006, 5010 Другой цвет по каталогу RAL или ADS703	
LPA-21	AluPro	A00-D6, RAL 9016, 8014, 9006, 5010, 1015, 3004, 6005, 8017, 7016** Другой цвет по каталогу RAL или ADS703	Для ворот с левой калиткой
	AluTherm	RAL 9016, 8014, 9006, 5010 Другой цвет по каталогу RAL или ADS703	



* Указанные в формате RAL **** цвета имеют близкое соответствие шкале RAL.

** Стандартные цвета.

Панель промежуточная

Серия ворот:

- панорамные ворота AluPro, AluTherm;
- гаражные ворота Prestige (ПО серия AluPro, AluTherm);
- промышленные ворота ProPlus (ПО серия AluPro, AluTherm).

Тип полотна ворот: АЛП, АЛПС, ПО.

Тип калитки:

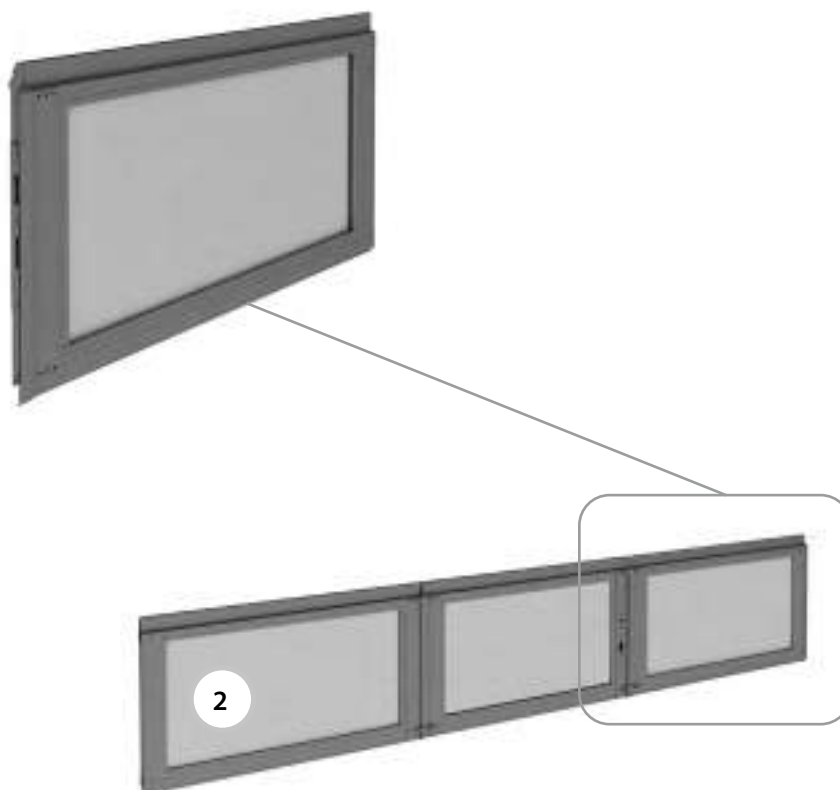
- с плоским порогом 20 мм, со стандартным порогом 149 мм (АЛП);
- с плоским порогом 20 мм, с низким порогом 100 мм, со стандартным порогом 145 мм (АЛПС, ПО).

Состав: промежуточная панель калитки (боковая часть) с установленными калиточными профилями и уплотнителями, планка ригеля.

Накладные петли (арт. **WH-100**) не входят в состав ремонта при наличии их в исходном изделии..

Единица измерения шт.

Артикул	Серия панорамных панелей	Цвет*	Применение
LPA-8	AluPro	A00-D6, RAL 9016, 8014, 9006, 5010, 1015, 3004, 6005, 8017, 7016**	Для ворот с правой калиткой
		Другой цвет по каталогу RAL или ADS703	
	AluTherm	RAL 9016, 8014, 9006, 5010	
		Другой цвет по каталогу RAL или ADS703	
LPA-22	AluPro	A00-D6, RAL 9016, 8014, 9006, 5010, 1015, 3004, 6005, 8017, 7016**	Для ворот с левой калиткой
		Другой цвет по каталогу RAL или ADS703	
	AluTherm	RAL 9016, 8014, 9006, 5010	
		Другой цвет по каталогу RAL или ADS703	



* Указанные в формате RAL **** цвета имеют близкое соответствие шкале RAL.

** Стандартные цвета.

Панель промежуточная

Серия ворот:

- панорамные ворота AluPro, AluTherm;
- гаражные ворота Prestige (ПО серия AluPro, AluTherm);
- промышленные ворота ProPlus (ПО серия AluPro, AluTherm).

Тип полотна ворот: АЛП, АЛПС, ПО.

Тип калитки:

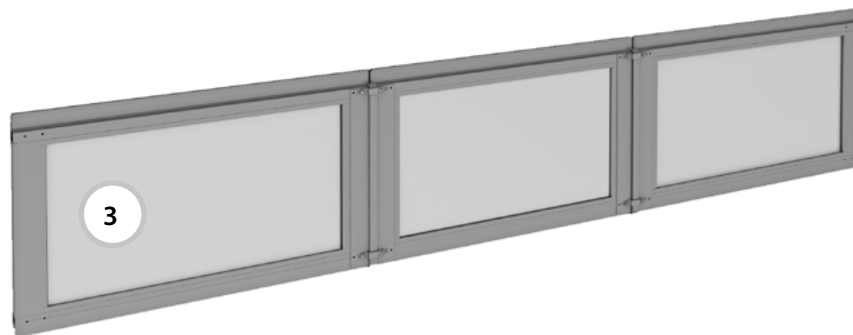
- с плоским порогом 20 мм, со стандартным порогом 149 мм (АЛП);
- с плоским порогом 20 мм, с низким порогом 100 мм, со стандартным порогом 145 мм (АЛПС, ПО).

Состав: промежуточная калиточная панель с установленными калиточными профилями и уплотнителями.

Накладные петли (арт. WH-100) входят в состав ремонта при наличии их в исходном изделии.

Единица измерения шт.

Артикул	Серия панорамных панелей	Цвет*	Применение
LPA-32	AluPro	A00-D6, RAL 9016, 8014, 9006, 5010, 1015, 3004, 6005, 8017, 7016**	Для ворот с правой калиткой
		Другой цвет по каталогу RAL или ADS703	
	AluTherm	RAL 9016, 8014, 9006, 5010	
		Другой цвет по каталогу RAL или ADS703	
LPA-42	AluPro	A00-D6, RAL 9016, 8014, 9006, 5010, 1015, 3004, 6005, 8017, 7016**	Для ворот с левой калиткой
		Другой цвет по каталогу RAL или ADS703	
	AluTherm	RAL 9016, 8014, 9006, 5010	
		Другой цвет по каталогу RAL или ADS703	



* Указанные в формате RAL **** цвета имеют близкое соответствие шкале RAL.

** Стандартные цвета.

Панель промежуточная

Серия ворот:

- панорамные ворота AluPro, AluTherm;
- гаражные ворота Prestige (ПО серия AluPro, AluTherm);
- промышленные ворота ProPlus (ПО серия AluPro, AluTherm).

Тип полотна ворот: АЛП, АЛПС, ПО.

Тип калитки:

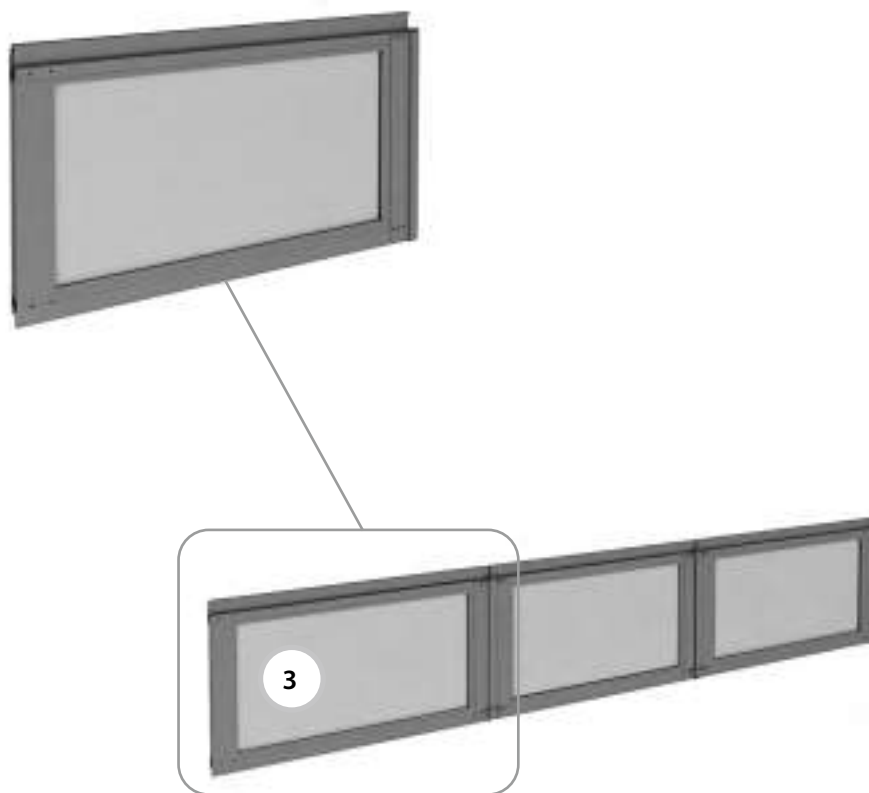
- с плоским порогом 20 мм, со стандартным порогом 149 мм (АЛП);
- с плоским порогом 20 мм, с низким порогом 100 мм, со стандартным порогом 145 мм (АЛПС, ПО).

Состав: промежуточные панели калитки (боковая часть) с установленными калиточными профилями и уплотнителями.

Накладные петли (арт. **WH-100**) не входят в состав ремонта при наличии их в исходном изделии.

Единица измерения шт.

Артикул	Серия панорамных панелей	Цвет*	Применение
LPA-33	AluPro	A00-D6, RAL 9016, 8014, 9006, 5010, 1015, 3004, 6005, 8017, 7016**	Для ворот с правой калиткой
		Другой цвет по каталогу RAL или ADS703	
	AluTherm	RAL 9016, 8014, 9006, 5010	
		Другой цвет по каталогу RAL или ADS703	
LPA-43	AluPro	A00-D6, RAL 9016, 8014, 9006, 5010, 1015, 3004, 6005, 8017, 7016**	Для ворот с левой калиткой
		Другой цвет по каталогу RAL или ADS703	
	AluTherm	RAL 9016, 8014, 9006, 5010	
		Другой цвет по каталогу RAL или ADS703	



* Указанные в формате RAL **** цвета имеют близкое соответствие шкале RAL.

** Стандартные цвета.

Панель промежуточная

Серия ворот:

- панорамные ворота AluPro, AluTherm;
- гаражные ворота Prestige (ПО серия AluPro, AluTherm);
- промышленные ворота ProPlus (ПО серия AluPro, AluTherm).

Тип полотна ворот: АЛП, АЛПС, ПО.

Тип калитки:

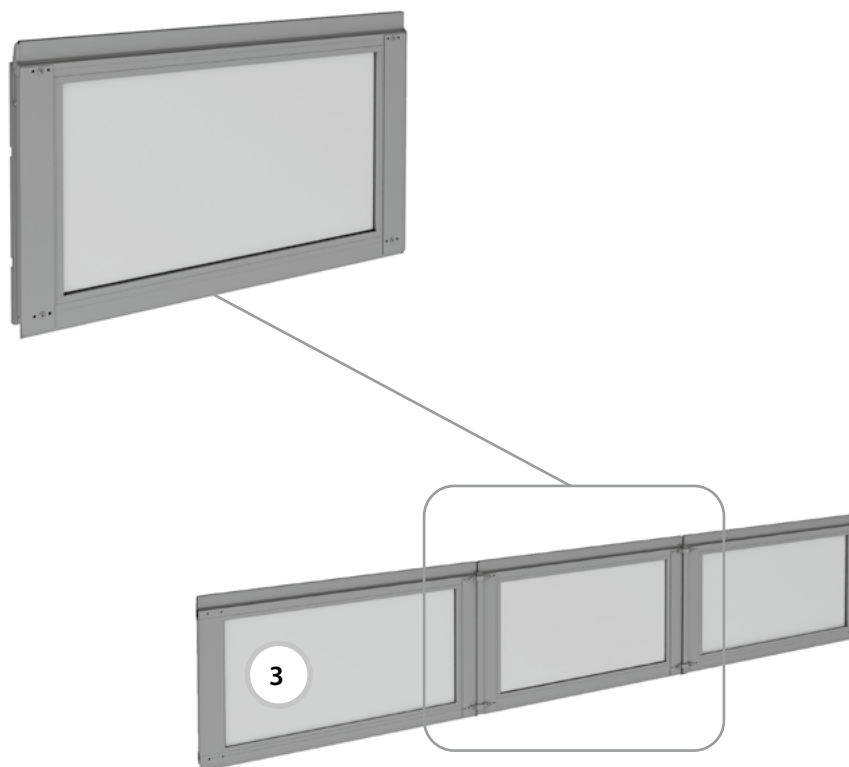
- с плоским порогом 20 мм, со стандартным порогом 149 мм (АЛП);
- с плоским порогом 20 мм, с низким порогом 100 мм, со стандартным порогом 145 мм (АЛПС, ПО).

Состав: промежуточные панели калитки (центральная часть) с установленными калиточными профилями и уплотнителями.

Накладные петли (арт. WH-100) не входят в состав ремонта при наличии их в исходном изделии.

Единица измерения шт.

Артикул	Серия панорамных панелей	Цвет*	Применение
LPA-34	AluPro	A00-D6, RAL 9016, 8014, 9006, 5010, 1015, 3004, 6005, 8017, 7016**	Для ворот с правой калиткой
		Другой цвет по каталогу RAL или ADS703	
	AluTherm	RAL 9016, 8014, 9006, 5010	
		Другой цвет по каталогу RAL или ADS703	
LPA-44	AluPro	A00-D6, RAL 9016, 8014, 9006, 5010, 1015, 3004, 6005, 8017, 7016**	Для ворот с левой калиткой
		Другой цвет по каталогу RAL или ADS703	
	AluTherm	RAL 9016, 8014, 9006, 5010	
		Другой цвет по каталогу RAL или ADS703	



* Указанные в формате RAL **** цвета имеют близкое соответствие шкале RAL.

** Стандартные цвета.

Панель промежуточная

Серия ворот:

- панорамные ворота AluPro, AluTherm;
- гаражные ворота Prestige (ПО серия AluPro, AluTherm);
- промышленные ворота ProPlus (ПО серия AluPro, AluTherm).

Тип полотна ворот: АЛП, АЛПС, ПО.

Тип калитки:

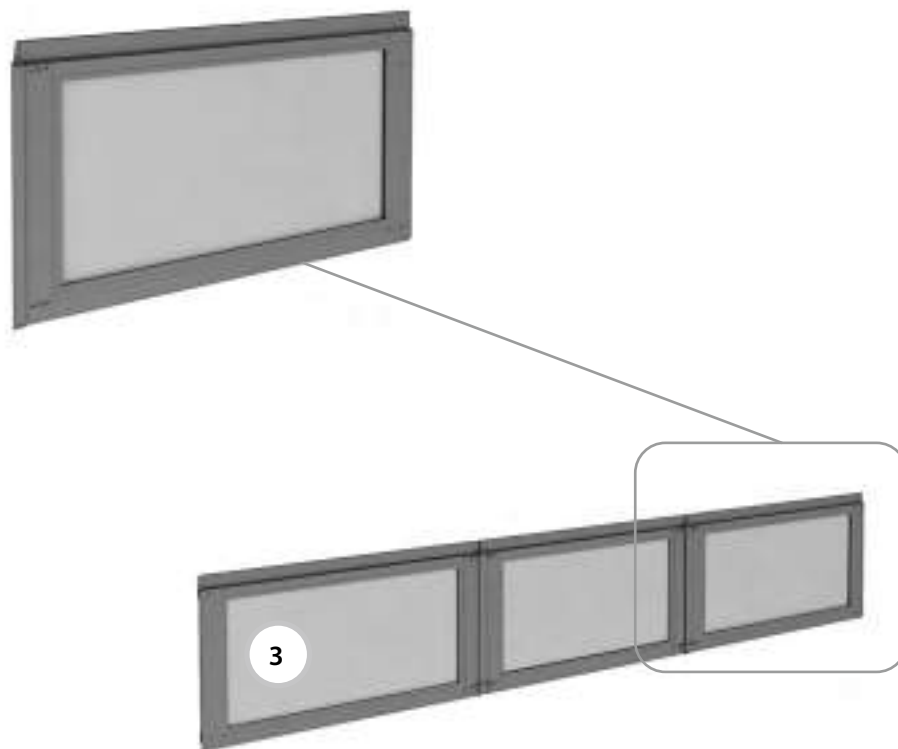
- с плоским порогом 20 мм, со стандартным порогом 149 мм (АЛП);
- с плоским порогом 20 мм, с низким порогом 100 мм, со стандартным порогом 145 мм (АЛПС, ПО).

Состав: промежуточные панели калитки (боковая часть) с установленными калиточными профилями и уплотнителями.

Накладные петли (арт. **WH-100**) не входят в состав ремонта при наличии их в исходном изделии.

Единица измерения шт.

Артикул	Серия панорамных панелей	Цвет*	Применение
LPA-35	AluPro	A00-D6, RAL 9016, 8014, 9006, 5010, 1015, 3004, 6005, 8017, 7016**	Для ворот с правой калиткой
		Другой цвет по каталогу RAL или ADS703	
	AluTherm	RAL 9016, 8014, 9006, 5010	
		Другой цвет по каталогу RAL или ADS703	
LPA-45	AluPro	A00-D6, RAL 9016, 8014, 9006, 5010, 1015, 3004, 6005, 8017, 7016**	Для ворот с левой калиткой
		Другой цвет по каталогу RAL или ADS703	
	AluTherm	RAL 9016, 8014, 9006, 5010	
		Другой цвет по каталогу RAL или ADS703	



* Указанные в формате RAL **** цвета имеют близкое соответствие шкале RAL.

** Стандартные цвета.

Панель промежуточная

Серия ворот:

- панорамные ворота AluPro, AluTherm;
- гаражные ворота Prestige (ПО серия AluPro, AluTherm);
- промышленные ворота ProPlus (ПО серия AluPro, AluTherm).

Тип полотна ворот: АЛП, АЛПС, ПО.

Тип калитки:

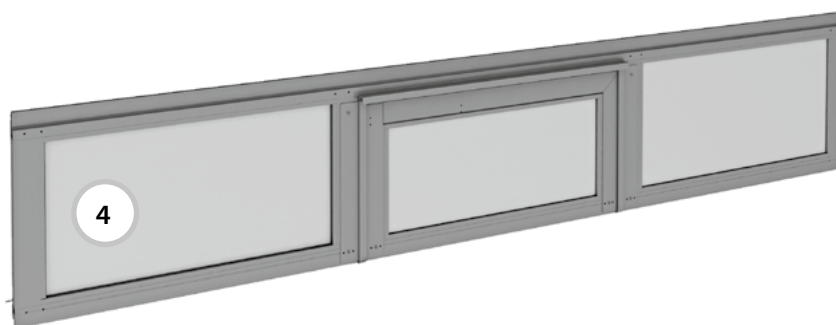
- с плоским порогом 20 мм, со стандартным порогом 149 мм (АЛП);
- с плоским порогом 20 мм, с низким порогом 100 мм, со стандартным порогом 145 мм (АЛПС, ПО).

Состав: верхняя калиточная панель с установленными калиточными профилями и уплотнителями, пластина соединительная (для монтажа доводчика).

Накладные петли (арт. **WH-100**) входят в состав ремонта при наличии их в исходном изделии.

Единица измерения шт.

Артикул	Серия панорамных панелей	Цвет*	Применение
LPA-36	AluPro	A00-D6, RAL 9016, 8014, 9006, 5010, 1015, 3004, 6005, 8017, 7016** Другой цвет по каталогу RAL или ADS703	Для ворот с правой калиткой
	AluTherm	RAL 9016, 8014, 9006, 5010 Другой цвет по каталогу RAL или ADS703	
LPA-46	AluPro	A00-D6, RAL 9016, 8014, 9006, 5010, 1015, 3004, 6005, 8017, 7016** Другой цвет по каталогу RAL или ADS703	Для ворот с левой калиткой
	AluTherm	RAL 9016, 8014, 9006, 5010 Другой цвет по каталогу RAL или ADS703	



* Указанные в формате RAL **** цвета имеют близкое соответствие шкале RAL.

** Стандартные цвета.

Панель промежуточная

Серия ворот:

- панорамные ворота AluPro, AluTherm;
- гаражные ворота Prestige (ПО серия AluPro, AluTherm);
- промышленные ворота ProPlus (ПО серия AluPro, AluTherm).

Тип полотна ворот: АЛП, АЛПС, ПО.

Тип калитки:

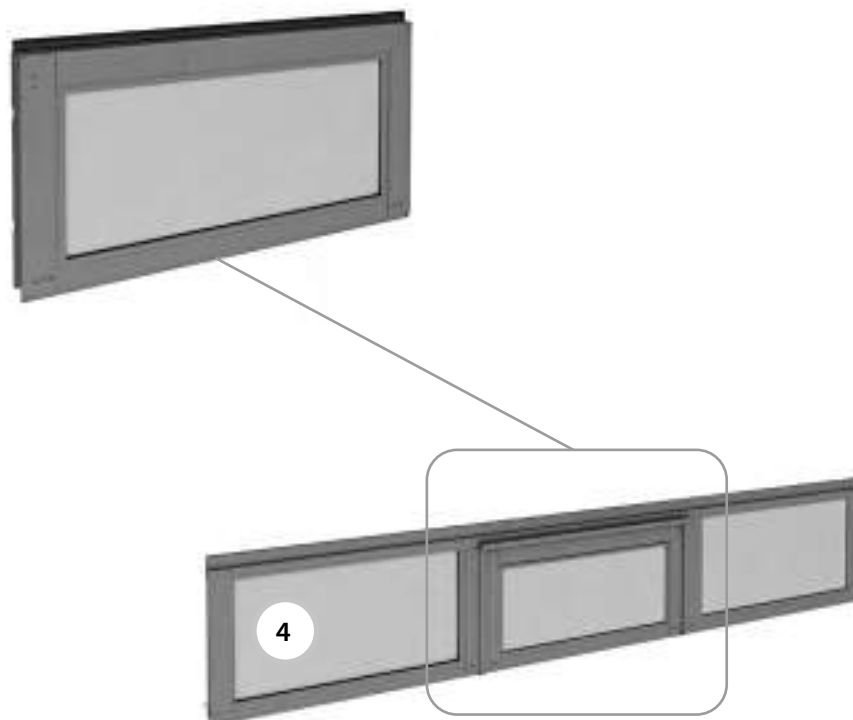
- с плоским порогом 20 мм, со стандартным порогом 149 мм (АЛП);
- с плоским порогом 20 мм, с низким порогом 100 мм, со стандартным порогом 145 мм (АЛПС, ПО).

Состав: верхняя калиточная панель (центральная часть) с установленными калиточными профилями и уплотнителями, пластина соединительная (для монтажа доводчика).

Накладные петли (арт. **WH-100**) не входят в состав ремонта при наличии их в исходном изделии.

Единица измерения шт.

Артикул	Серия панорамных панелей	Цвет*	Применение
LPA-37	AluPro	A00-D6, RAL 9016, 8014, 9006, 5010, 1015, 3004, 6005, 8017, 7016**	Для ворот с правой калиткой
		Другой цвет по каталогу RAL или ADS703	
	AluTherm	RAL 9016, 8014, 9006, 5010	
		Другой цвет по каталогу RAL или ADS703	
LPA-47	AluPro	A00-D6, RAL 9016, 8014, 9006, 5010, 1015, 3004, 6005, 8017, 7016**	Для ворот с левой калиткой
		Другой цвет по каталогу RAL или ADS703	
	AluTherm	RAL 9016, 8014, 9006, 5010	
		Другой цвет по каталогу RAL или ADS703	



* Указанные в формате RAL **** цвета имеют близкое соответствие шкале RAL.

** Стандартные цвета.

Фальшпанель

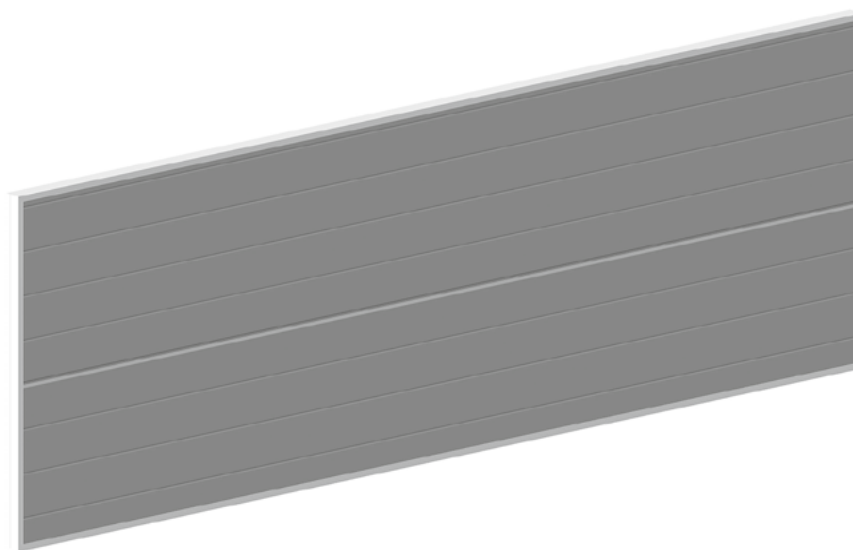
Тип ворот:

- гаражные ворота Prestige с торсионными пружинами всех типов монтажа;
- гаражные ворота Prestige с пружинами растяжения;
- промышленные ворота ProPlus всех типов монтажа.

Состав: сэндвич-панель, профили обрамления.

Единица измерения шт.

Артикул	Тип полотна	Цвет*
FPU-1	Микроволна woodgrain	RAL 9016, 9007, 9006, 8017, 8014, 7016, 6005, 5010, 3004, 1015, ADS703**
	S-гофр woodgrain	RAL 9016, 9007, 9006, 9005, 8019, 8017, 8014, 7024, 7016, 6005, 5010, 3004, 1015, ADS703**
	S-гофр smooth	Golden Oak, Dark Oak
	M-гофр woodgrain	RAL 9016, 8019, 8017, 7024**
	M-гофр smooth	RAL 9016, 7016** Golden Oak, Dark Oak, ADS704
	L-гофр woodgrain	RAL 9016, 8019, 8017**
	L-гофр smooth	RAL 9016, 9007, 9005, 8017, 7024, 7016, ADS703** Golden Oak, Dark Oak, ADS704
	Микроволна woodgrain, S-, M-, L-гофр woodgrain/smooth	Другие цвета по каталогу RAL*, DB



* Указанные в формате RAL **** цвета имеют близкое соответствие шкале RAL.

** Стандартные цвета.

СИСТЕМА БАЛАНСИРОВКИ ПОЛОТНА ВОРОТ

Механизм пружинно-инерционный

Тип ворот:

- гаражные ворота Prestige с торсионными пружинами всех типов монтажа;
- промышленные ворота ProPlus.

Состав: вал (или два вала), пружины с пружинными наконечниками, барабаны, два собранных с коушами троса.

Единица измерения шт.

Артикул	Розничная цена, € с НДС
GTS-1	по запросу



Элемент торсионный

Тип ворот:

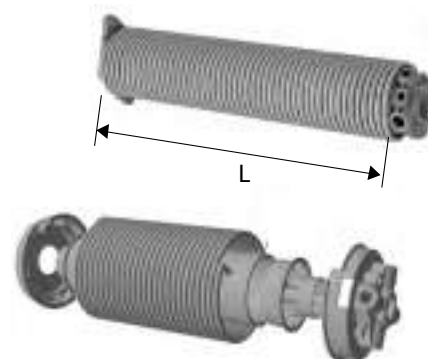
- гаражные ворота Prestige с торсионными пружинами всех типов монтажа;
- промышленные ворота ProPlus.

Состав:

- торсионная пружина с пружинными наконечниками (ТКУ-1-4);
- торсионная пружина с пружинными наконечниками, проставочный профиль (ТКУ-5 — ТКУ-8);
- дуплексная пружина с пружинными наконечниками, проставочный профиль (ТКУ-9, ТКУ-11).

Единица измерения шт.

Артикул	Диаметр пружины, мм	Тип ворот	Примечание
ТКУ-1	51	Гаражные ворота Prestige	Левая
ТКУ-2		Промышленные ворота ProPlus	Правая
ТКУ-3	67	Гаражные ворота Prestige	Левая
ТКУ-4		Промышленные ворота ProPlus	Правая
ТКУ-5	95	Гаражные ворота Prestige	Левая
ТКУ-6		Промышленные ворота ProPlus	Правая
ТКУ-7	152	Промышленные ворота ProPlus	Левая
ТКУ-8			Правая
ТКУ-9	Дуплексная пружина (95 + 152 мм)	Промышленные ворота ProPlus	Левая
ТКУ-11			Правая



L — длина пружины, м

Элемент растяжения

Тип ворот: гаражные ворота Prestige с пружинами растяжения.

Состав: пружина растяжения в сборе (внешняя и внутренняя пружина, фиксатор, узел верхний, кронштейн).

Единица измерения шт.

Артикул
TKU-13



1.1

1.2

1.3

1.4

1.5

2

3

4

Элемент торсионного вала

Тип ворот:

- гаражные ворота серии Prestige всех типов монтажа;
- промышленные ворота ProPlus всех типов монтажа.

Состав: барабаны, два собранных с коушами троса.

Единица измерения шт.



Артикул	Тип барабана	Типы ворот и монтажа
TKU-21	CD010N	Гаражные ворота Prestige: стандартный и низкий Промышленные ворота ProPlus: стандартный, низкий, наклонный (5°–40°), наклонный низкий (5°–40°), низкий с передним расположением вала
TKU-22	CD012N	Гаражные ворота Prestige: стандартный и низкий Промышленные ворота ProPlus: стандартный, низкий, наклонный (5°–40°), наклонный низкий (5°–40°), низкий с передним расположением вала, низкий с передним расположением вала (тип 2)
TKU-23	CD018N	Промышленные ворота ProPlus: стандартный, низкий, наклонный (5°–40°), наклонный низкий (5°–40°), низкий с передним расположением вала, низкий с передним расположением вала (тип 2)
TKU-24	CD032N, CD032N-D	
TKU-25	CD032N-5/4	
TKU-26	CD054H	Гаражные ворота Prestige: высокий Промышленные ворота ProPlus: высокий и наклонный высокий (5°–40°) с верхним расположением вала, высокий и наклонный высокий (5°–40°) с нижним расположением вала
TKU-27	CD120H	Промышленные ворота ProPlus: высокий и наклонный высокий (5°–40°) с верхним расположением вала, высокий и наклонный высокий (5°–40°) с нижним расположением вала
TKU-28	CD164H, CD164H-D	
TKU-29	CD164H-5/4	
TKU-30	CD011V, CD011V-D	Промышленные ворота ProPlus: вертикальный с верхним и нижним расположением вала, все типы наклонных монтажей (45°)
TKU-31	CD018V, CD018V-D	
TKU-32	CD018V-5/4	

Элемент торсионный

Тип ворот:

- гаражные ворота Prestige с торсионными пружинами всех типов монтажа;
- гаражные ворота Prestige с пружинами растяжения;
- промышленные ворота ProPlus всех типов монтажа.

Состав: два собранных с коушами троса.

Единица измерения шт.

Артикул	Код
TKU-33	687000007



1.1

1.2

1.3

1.4

1.5

2

3

4

СИСТЕМА НАПРАВЛЯЮЩИХ

Стойка вертикальная

Тип ворот:

- гаражные ворота Prestige с торсионными пружинами;
- гаражные ворота Prestige с пружинами растяжения.

Состав: угловой профиль, вертикальная направляющая, кронштейн шкива (низкий тип монтажа), соединительные пластины, боковой уплотнитель.

Единица измерения шт.

Артикул	Тип ворот/тип монтажа	Примечание
НКГ-4	Prestige/стандартный	Левая
НКГ-5		Правая
НКГ-9	Prestige/низкий	Левая
НКГ-10		Правая
НКГ-18	Prestige/пружины растяжения	Левая
НКГ-19		Правая



Стойка вертикальная

Тип ворот: гаражные ворота серии Prestige высокого типа монтажа.

Состав: угловой профиль, вертикальная направляющая, соединительные пластины, боковой уплотнитель.

Единица измерения шт.

Артикул	Примечание
НКГ-22	Левая
НКГ-23	Правая



СИСТЕМА НАПРАВЛЯЮЩИХ

Стойка вертикальная

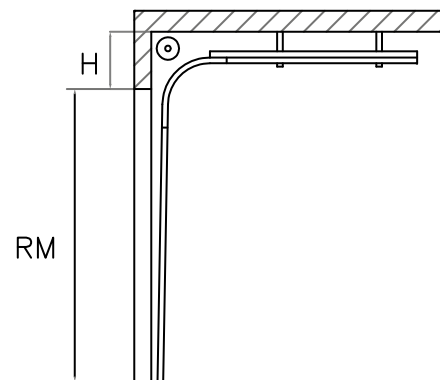
Тип ворот: промышленные ворота ProPlus.

Тип монтажа: стандартный.

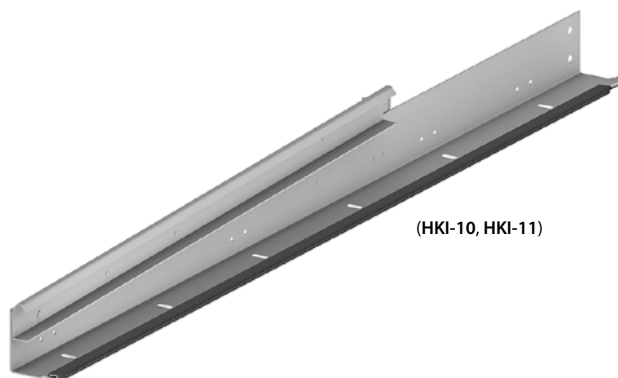
Состав: угловой профиль, вертикальная направляющая, соединительные пластины, боковой уплотнитель.

Единица измерения шт.

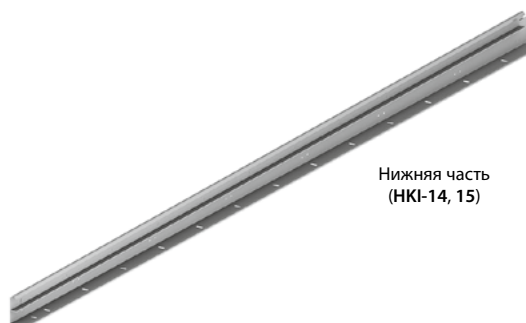
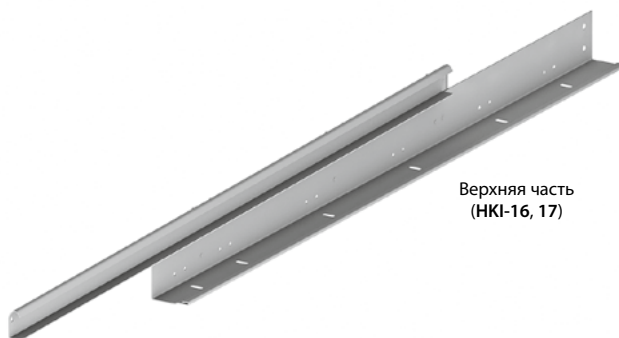
Артикул	Применение (система подвеса)	Примечание
HKI-10	GSH-4	Левая
HKI-11		Правая
HKI-14	GSH-5	Левая, нижняя часть
HKI-15		Правая, нижняя часть
HKI-16	GSH-5	Левая, верхняя часть
HKI-17		Правая, верхняя часть



Стандартный тип монтажа



(HKI-10, HKI-11)

Угловая стойка,
состоящая из цельного профиляНижняя часть
(HKI-14, 15)Верхняя часть
(HKI-16, 17)Угловая стойка,
состоящая из двух отдельных частей

СИСТЕМА НАПРАВЛЯЮЩИХ

Стойка вертикальная

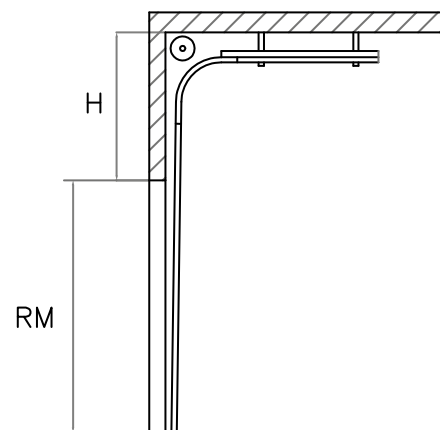
Тип ворот: промышленные ворота ProPlus.

Тип монтажа: высокий с верхним расположением вала.

Состав: угловой профиль, вертикальная направляющая, соединительные пластины, боковой уплотнитель.

Единица измерения шт.

Артикул	Применение (система подвеса)	Примечание
HKI-20	GSH-6	Левая, нижняя часть
HKI-21		Правая, нижняя часть
HKI-22	GSH-6	Левая, верхняя часть
HKI-23		Правая, верхняя часть
HKI-26	GSH-7	Левая
HKI-27		Правая
HKI-30	GSH-8	Левая
HKI-31		Правая



**Высокий тип монтажа
с верхним расположением вала**



(HKI-26, HKI-27)



(HKI-30, HKI-31)

**Угловая стойка,
состоящая из цельного профиля**



Нижняя часть
(HKI-20, HKI-21)



Верхняя часть
(HKI-22, HKI-23)

**Угловая стойка,
состоящая из двух отдельных частей**

СИСТЕМА НАПРАВЛЯЮЩИХ

Стойка вертикальная

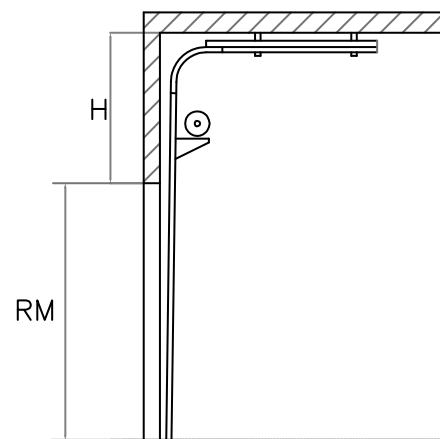
Тип ворот: промышленные ворота ProPlus.

Тип монтажа: высокий с нижним расположением вала.

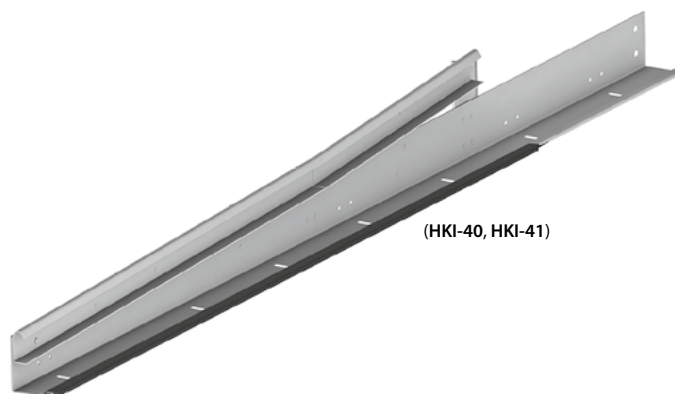
Состав: угловой профиль, вертикальная направляющая, соединительные пластины, боковой уплотнитель.

Единица измерения шт.

Артикул	Применение (система подвеса)	Примечание
НКI-34	GSH-9	Левая, нижняя часть
НКI-35		Правая, нижняя часть
НКI-36	GSH-9	Левая, верхняя часть
НКI-37		Правая, верхняя часть
НКI-40	GSH-10	Левая
НКI-41		Правая

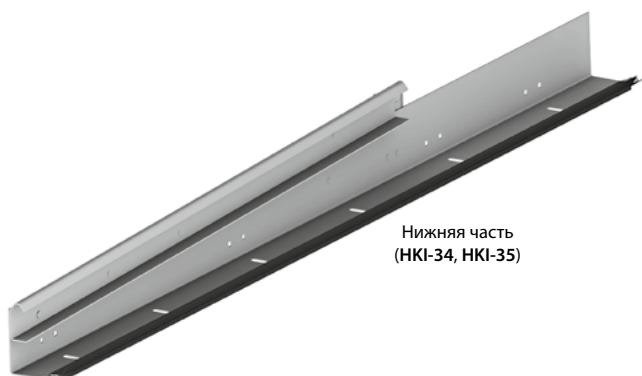


Высокий тип монтажа
с нижним расположением вала



(НКI-40, НКI-41)

Угловая стойка,
состоящая из цельного профиля



Нижняя часть
(НКI-34, НКI-35)



Верхняя часть
(НКI-36, НКI-37)

Угловая стойка,
состоящая из двух отдельных частей

СИСТЕМА НАПРАВЛЯЮЩИХ

Стойка вертикальная

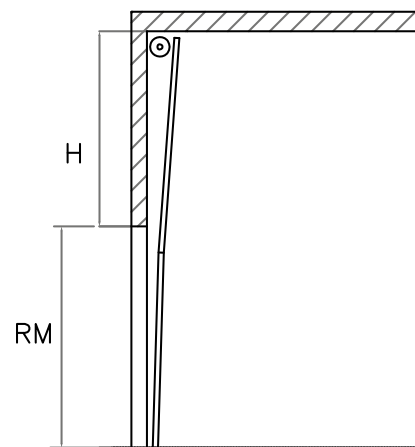
Тип ворот: промышленные ворота ProPlus.

Тип монтажа: вертикальный с верхним расположением вала.

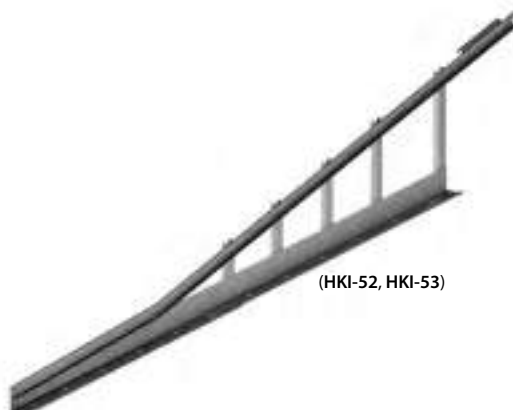
Состав: угловой профиль, вертикальная направляющая, соединительные пластины, боковой уплотнитель.

Единица измерения шт.

Артикул	Применение (система подвеса)	Примечание
НКI-48	GSH-12	Левая, нижняя часть
НКI-49		Правая, нижняя часть
НКI-50	GSH-12	Левая, верхняя часть
НКI-51		Правая, верхняя часть
НКI-52	GSH-13	Левая
НКI-53		Правая



Вертикальный тип монтажа с верхним расположением вала

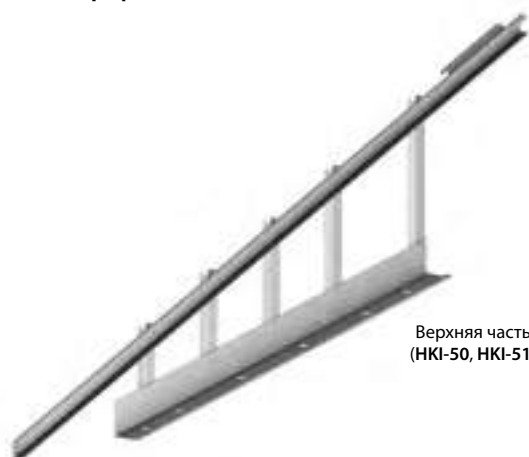


(НКI-52, НКI-53)

Угловая стойка, состоящая из цельного профиля



Нижняя часть
(НКI-48, НКI-49)



Верхняя часть
(НКI-50, НКI-51)

Угловая стойка, состоящая из двух отдельных частей

СИСТЕМА НАПРАВЛЯЮЩИХ

Стойка вертикальная

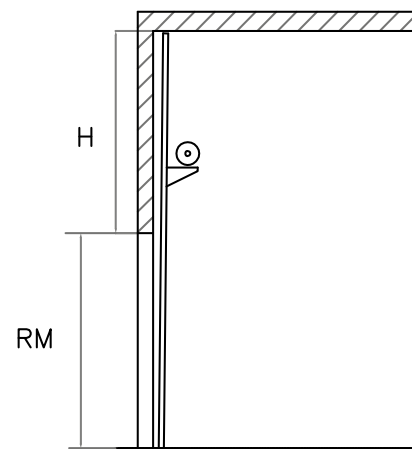
Тип ворот: промышленные ворота ProPlus.

Тип монтажа: вертикальный с нижним расположением вала.

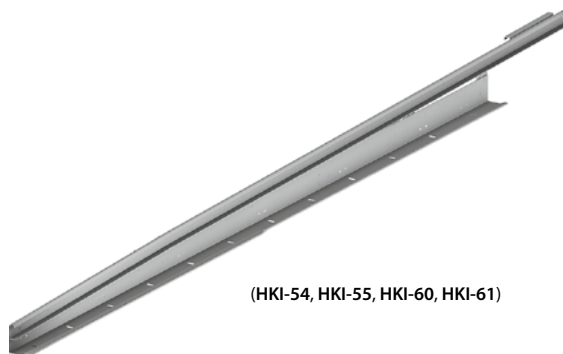
Состав: угловой профиль, вертикальная направляющая, соединительные пластины, боковой уплотнитель.

Единица измерения шт.

Артикул	Применение (система подвеса)	Примечание
HKI-54	GSH-14	Левая
HKI-55		Правая
HKI-60	GSH-16	Левая
HKI-61		Правая
HKI-56	GSH-15	Левая, нижняя часть
HKI-57		Правая, нижняя часть
HKI-58	GSH-15	Левая, верхняя часть
HKI-59		Правая, верхняя часть



Вертикальный тип монтажа
с нижним расположением вала

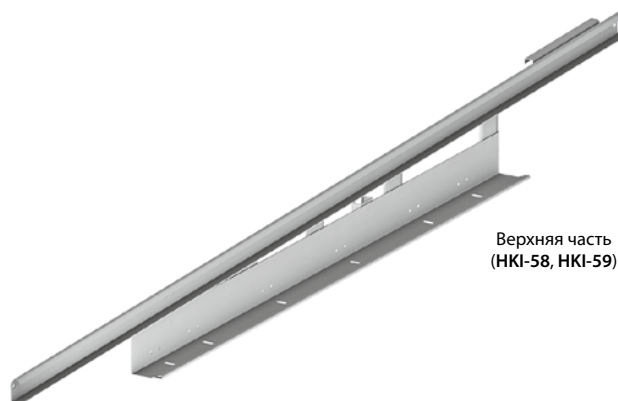


(HKI-54, HKI-55, HKI-60, HKI-61)

Угловая стойка,
состоящая из цельного профиля



Нижняя часть
(HKI-56, HKI-57)



Верхняя часть
(HKI-58, HKI-59)

Угловая стойка,
состоящая из двух отдельных частей

1.1

1.2

1.3

1.4

1.5

2

3

4

СИСТЕМА НАПРАВЛЯЮЩИХ

Стойка вертикальная

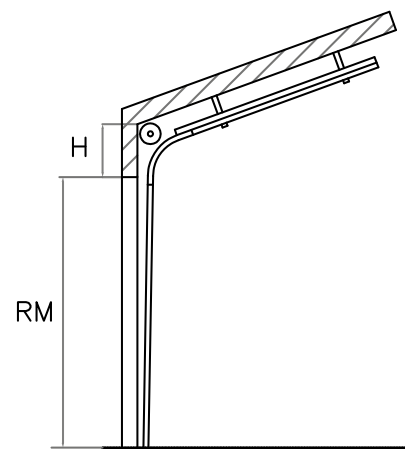
Тип ворот: промышленные ворота ProPlus.

Тип монтажа: наклонный.

Состав: угловой профиль, вертикальная направляющая, соединительные пластины, боковой уплотнитель.

Единица измерения шт.

Артикул	Применение (система подвеса)	Примечание
HKI-62	GSH-19	Левая
HKI-63		Правая
HKI-66	GSH-20	Левая, нижняя часть
HKI-67		Правая, нижняя часть
HKI-68	GSH-20	Левая, верхняя часть
HKI-69		Правая, верхняя часть



Наклонный тип монтажа



(HKI-62, HKI-63)

**Угловая стойка,
состоящая из цельного профиля**



Нижняя часть
(HKI-66, HKI-67)



Верхняя часть
(HKI-68, HKI-69)

**Угловая стойка,
состоящая из двух отдельных частей**

СИСТЕМА НАПРАВЛЯЮЩИХ

Стойка вертикальная

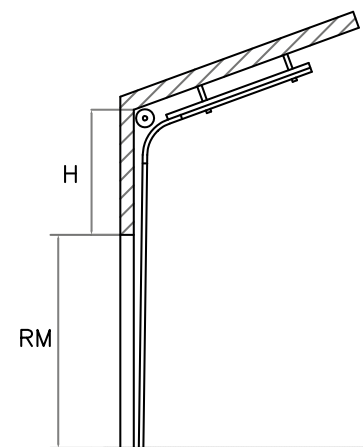
Тип ворот: промышленные ворота ProPlus.

Тип монтажа: наклонный высокий с верхним расположением вала.

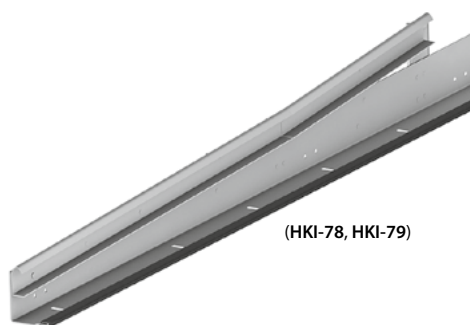
Состав: угловой профиль, вертикальная направляющая, соединительные пластины, боковой уплотнитель.

Единица измерения шт.

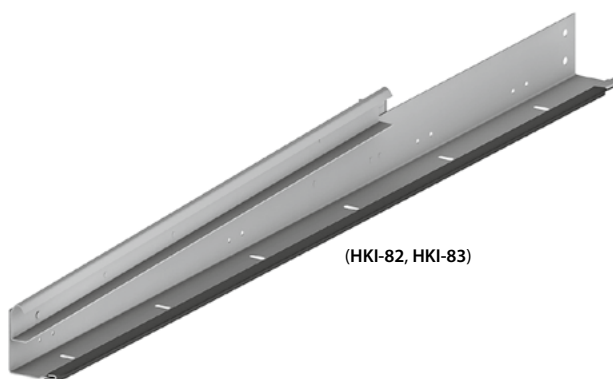
Артикул	Применение (система подвеса)	Примечание
HKI-72	GSH-21	Левая, нижняя часть
HKI-73		Правая, нижняя часть
HKI-74	GSH-21	Левая, верхняя часть
HKI-75		Правая, верхняя часть
HKI-78	GSH-22	Левая
HKI-79		Правая
HKI-82	GSH-23	Левая
HKI-83		Правая



Наклонный высокий тип монтажа с верхним расположением вала

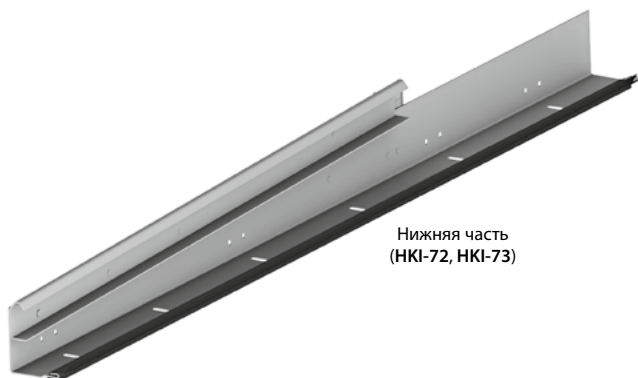


(HKI-78, HKI-79)



(HKI-82, HKI-83)

Угловая стойка,
состоящая из цельного профиля



Нижняя часть
(HKI-72, HKI-73)



Верхняя часть
(HKI-74, HKI-75)

Угловая стойка,
состоящая из двух отдельных частей

1.1

1.2

1.3

1.4

1.5

2

3

4

СИСТЕМА НАПРАВЛЯЮЩИХ

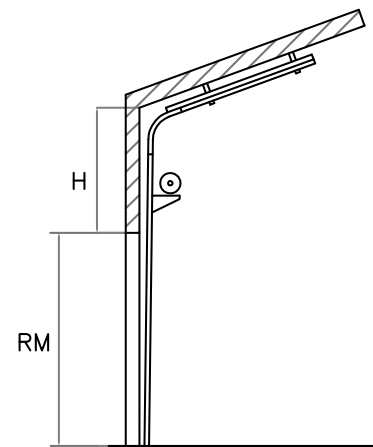
Стойка вертикальная

Тип ворот: промышленные ворота ProPlus.

Тип монтажа: наклонный высокий с нижним расположением вала.

Состав: угловой профиль, вертикальная направляющая, соединительные пластины, боковой уплотнитель.

Единица измерения шт.



Наклонный высокий тип монтажа с нижним расположением вала

Артикул	Применение (система подвеса)	Примечание
НКI-86	GSH-24	Левая, нижняя часть
НКI-87		Правая, нижняя часть
НКI-88	GSH-24	Левая, верхняя часть
НКI-89		Правая, верхняя часть
НКI-92	GSH-25	Левая
НКI-93		Правая



(НКI-92, НКI-93)

Угловая стойка, состоящая из цельного профиля



Нижняя часть
(НКI-86, НКI-87)



Верхняя часть
(НКI-88, НКI-89)

Угловая стойка, состоящая из двух отдельных частей

СИСТЕМА НАПРАВЛЯЮЩИХ

Стойка вертикальная

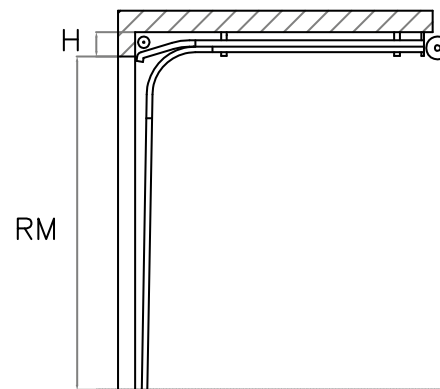
Тип ворот: промышленные ворота ProPlus.

Тип монтажа: низкий.

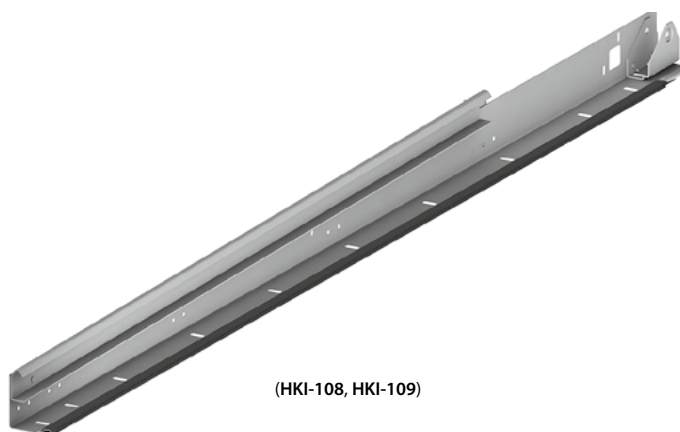
Состав: угловой профиль, вертикальная направляющая, соединительные пластины, боковой уплотнитель, кронштейн для установки шкива.

Единица измерения шт.

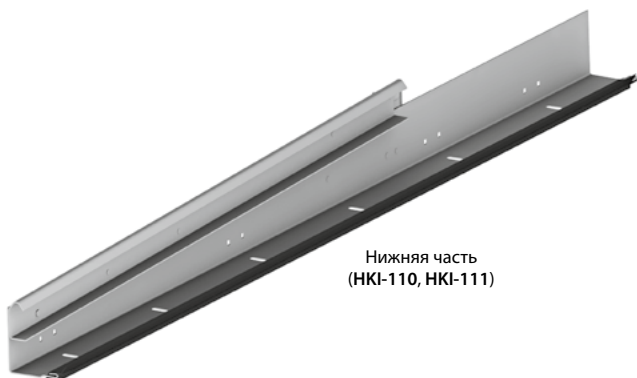
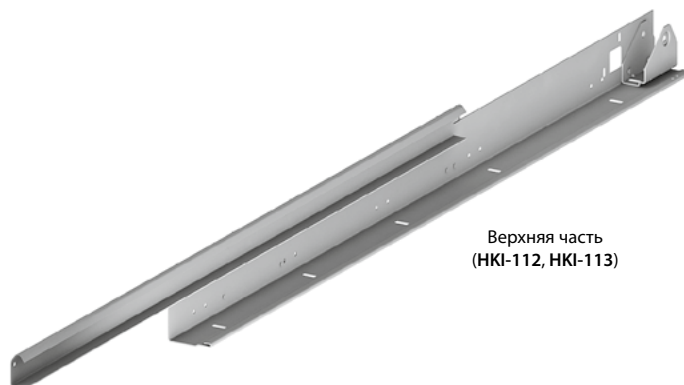
Артикул	Применение (система подвеса)	Примечание
HKI-108	GSH-17	Левая
HKI-109		Правая
HKI-110	GSH-18	Левая, нижняя часть
HKI-111		Правая, нижняя часть
HKI-112	GSH-18	Левая, верхняя часть
HKI-113		Правая, верхняя часть



Низкий тип монтажа



(HKI-108, HKI-109)

Угловая стойка,
состоящая из цельного профиляНижняя часть
(HKI-110, HKI-111)Верхняя часть
(HKI-112, HKI-113)Угловая стойка,
состоящая из двух отдельных частей

СИСТЕМА НАПРАВЛЯЮЩИХ

Стойка вертикальная

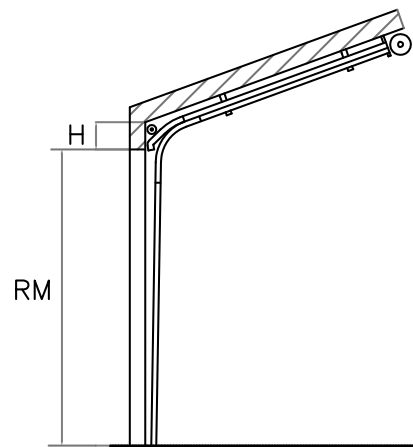
Тип ворот: промышленные ворота ProPlus.

Тип монтажа: наклонный низкий.

Состав: угловой профиль, вертикальная направляющая, соединительные пластины, боковой уплотнитель, кронштейн для установки шкива.

Единица измерения шт.

Артикул	Применение (система подвеса)	Примечание
HKI-114	GSH-27	Левая
HKI-115		Правая
HKI-116	GSH-28	Левая, нижняя часть
HKI-117		Правая, нижняя часть
HKI-118	GSH-28	Левая, верхняя часть
HKI-119		Правая, верхняя часть



Наклонный низкий тип монтажа

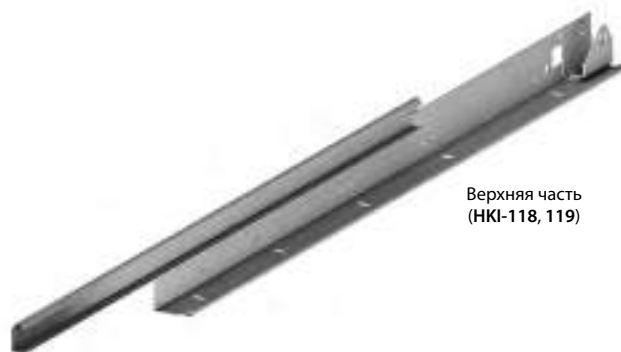


(HKI-114, HKI-115)

**Угловая стойка,
состоящая из цельного профиля**



Нижняя часть
(HKI-116, 117)



Верхняя часть
(HKI-118, 119)

**Угловая стойка,
состоящая из двух отдельных частей**

СИСТЕМА НАПРАВЛЯЮЩИХ

Стойка вертикальная

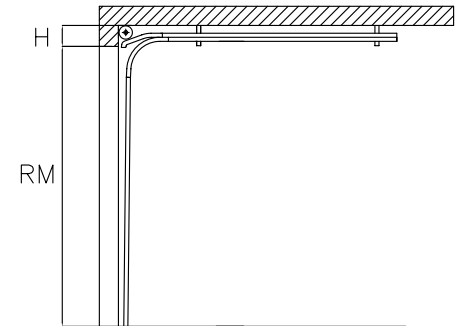
Тип ворот: промышленные ворота ProTrend.

Тип монтажа: низкий с передним расположением вала.

Состав: угловой профиль, вертикальная направляющая, соединительные пластины, боковой уплотнитель.

Единица измерения шт.

Артикул	Примечание (система подвеса)	Применение
HKI-123	GSH-30	Левая
HKI-124		Правая
HKI-125	GSH-31	Левая, нижняя часть
HKI-126		Правая, нижняя часть
HKI-127		Левая, верхняя часть
HKI-128		Правая, верхняя часть



**Низкий тип монтажа
с передним расположением вала**

1.1

1.2

1.3

1.4

1.5

2

3

4

СИСТЕМА НАПРАВЛЯЮЩИХ

Стойка вертикальная

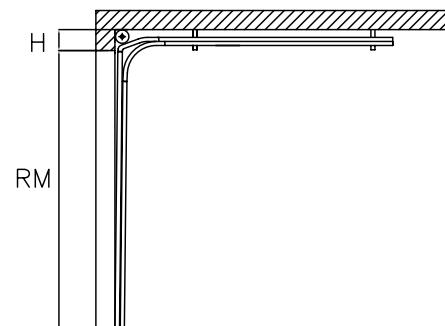
Тип ворот: промышленные ворота ProTrend.

Тип монтажа: низкий с передним расположением вала (тип 2).

Состав: угловой профиль, вертикальная направляющая, соединительные пластины, боковой уплотнитель.

Единица измерения шт.

Артикул	Примечание (система подвеса)	Применение
НКI-129	GSH-32	Левая
НКI-130		Правая
НКI-131	GSH-33	Левая, нижняя часть
НКI-132		Правая, нижняя часть
НКI-133		Левая, верхняя часть
НКI-134		Правая, верхняя часть



**Низкий тип монтажа
с передним расположением вала (тип 2)**



**Угловая стойка, состоящая из цельного профиля
(НКI-129, 130)**



**Нижняя часть
(НКI-131, 132)**



**Верхняя часть
(НКI-133, 134)**

Угловая стойка, состоящая из двух отдельных частей

СИСТЕМА НАПРАВЛЯЮЩИХ

Нацельник

Тип ворот:

- гаражные ворота Prestige с пружинами растяжения;
- гаражные ворота Prestige низкого и стандартного типов монтажа;
- промышленные ворота ProPlus низкого, низкого с передним расположением вала, низкого с передним расположением вала (тип 2), наклонного низкого типов монтажа.

Состав: профиль передний, вставка уплотнительная.

Единица измерения шт.

Артикул	Тип ворот	Тип монтажа
НКГ-6	Prestige	Стандартный
НКГ-11	Prestige	Низкий
	ProPlus	Низкий; наклонный низкий; низкий с передним расположением вала, низкий с передним расположением вала (тип 2)
НКГ-15	Prestige с пружинами растяжения	—



1.1

1.2

1.3

1.4

1.5

2

3

4

СИСТЕМА НАПРАВЛЯЮЩИХ

Направляющая горизонтальная

Тип ворот:

- гаражные ворота Prestige с пружинами растяжения;
- гаражные ворота Prestige низкого и стандартного типов монтажа.

Состав: профиль направляющий горизонтальный, узел передний, соединительные пластины.

Единица измерения шт.

Артикул	Тип ворот	Тип монтажа	Примечание
НКГ-7	Prestige	Стандартный	Левая
НКГ-8			Правая
НКГ-12	Prestige	Низкий	Левая
НКГ-13			Правая
НКГ-16	Prestige с пружинами растяжения	—	Левая
НКГ-17			Правая



Направляющая горизонтальная

Тип ворот: гаражные ворота Prestige высокого типа монтажа.

Состав: профиль направляющий горизонтальный, узел передний, соединительные пластины.

Единица измерения шт.

Артикул	Примечание
НКГ-20	Левая
НКГ-21	Правая



СИСТЕМА НАПРАВЛЯЮЩИХ

Направляющая горизонтальная

Тип ворот: промышленные ворота ProPlus всех типов монтажа, кроме вертикальных.

Состав: профиль направляющий горизонтальный, узел передний, соединительные пластины.

Единица измерения шт.



Артикул	Тип монтажа	Применение (система подвеса)	Примечание	
HKI-12	Стандартный	GSH-4	Левая	
HKI-13			Правая	
HKI-18		GSH-5	Левая	
HKI-19			Правая	
HKI-24	Высокий с верхним расположением вала	GSH-6	Левая	
HKI-25			Правая	
HKI-28		GSH-7	Левая	
HKI-29			Правая	
HKI-32		GSH-8	Левая	
HKI-33			Правая	
HKI-38		Высокий с нижним расположением вала	GSH-9	Левая
HKI-39				Правая
HKI-42	GSH-10		Левая	
HKI-43			Правая	
HKI-64	Наклонный	GSH-19	Левая	
HKI-65			Правая	
HKI-70		GSH-20	Левая	
HKI-71			Правая	
HKI-76	Наклонный высокий с верхним расположением вала	GSH-21	Левая	
HKI-77			Правая	
HKI-80		GSH-22	Левая	
HKI-81			Правая	
HKI-84		GSH-23	Левая	
HKI-85	Правая			
HKI-90	Наклонный высокий с нижним расположением вала	GSH-24	Левая	
HKI-91			Правая	
HKI-94		GSH-25	Левая	
HKI-95			Правая	
HKI-100	Низкий	GSH-17	Левая	
HKI-101			Правая	
HKI-102		GSH-18	Левая	
HKI-103			Правая	
HKI-104	Наклонный низкий	GSH-27	Левая	
HKI-105			Правая	
HKI-106		GSH-28	Левая	
HKI-107			Правая	
HKI-121	Низкий с передним расположением вала	GSH-30, GSH-31	Левая	
HKI-122			Правая	
HKI-135	Низкий с передним расположением вала (тип 2)	GSH-32, GSH-33	Левая	
HKI-136			Правая	

1.1

1.2

1.3

1.4

1.5

2

3

4

СИСТЕМА НАПРАВЛЯЮЩИХ

Система направляющих

Тип ворот:

- гаражные ворота серии Prestige низкого и стандартного типов монтажа;
- гаражные ворота серии Prestige с пружинами растяжения.

Состав: система горизонтальных и вертикальных направляющих (правая и левая), боковой уплотнитель, нащельник с уплотнителем, мерная планка.

Единица измерения шт.

Артикул	Тип ворот	Тип монтажа
GSH-1	Prestige	Стандартный
GSH-2		Низкий
GSH-29	Prestige с пружинами растяжения	—



Система направляющих

Тип ворот: гаражные ворота серии Prestige высокого типа монтажа.

Состав: система горизонтальных и вертикальных направляющих (правая и левая), боковой уплотнитель, мерная планка.

Единица измерения шт.

Артикул
GSH-3



СИСТЕМА НАПРАВЛЯЮЩИХ

Система направляющих

Тип ворот: промышленные ворота ProPlus стандартного и высоких типов монтажа.

Состав: система горизонтальных и вертикальных направляющих (правая и левая), боковой уплотнитель, мерная планка.

Единица измерения шт.

Артикул	Тип монтажа
GSH-4	Стандартный
GSH-5	
GSH-6	
GSH-7	Высокий с верхним расположением вала
GSH-8	
GSH-9	Высокий с нижним расположением вала
GSH-10	



1.1

1.2

1.3

1.4

1.5

2

3

4

СИСТЕМА НАПРАВЛЯЮЩИХ

Система направляющих

Тип ворот: промышленные ворота ProPlus низких типов монтажа.

Состав: система горизонтальных и вертикальных направляющих (правая и левая), боковой уплотнитель, мерная планка, кронштейн под установку шкива.

Единица измерения шт.

Артикул	Тип монтажа
GSH-17	Низкий
GSH-18	
GSH-27	Наклонный низкий
GSH-28	



Низкий монтаж



Наклонный низкий

СИСТЕМА НАПРАВЛЯЮЩИХ

Система направляющих

Тип ворот: промышленные ворота ProPlus вертикальных типов монтажа.

Состав: система вертикальных направляющих (правая и левая), боковой уплотнитель, мерная планка.

Единица измерения шт.

Артикул	Тип монтажа
GSH-12	Вертикальный с верхним расположением вала
GSH-13	
GSH-14	
GSH-15	Вертикальный с нижним расположением вала
GSH-16	



**Вертикальный монтаж
с верхним расположением вала**



**Вертикальный монтаж
с нижним расположением вала**

1.1

1.2

1.3

1.4

1.5

2

3

4

СИСТЕМА НАПРАВЛЯЮЩИХ

Система направляющих

Тип ворот: промышленные ворота ProPlus наклонных типов монтажа.

Состав: система вертикальных и горизонтальных направляющих (правая и левая), боковой уплотнитель, мерная планка.

Единица измерения шт.

Артикул	Тип монтажа
GSH-19	Наклонный
GSH-20	
GSH-21	
GSH-22	Наклонный высокий с верхним расположением вала
GSH-23	
GSH-24	Наклонный высокий с нижним расположением вала
GSH-25	



СИСТЕМА НАПРАВЛЯЮЩИХ

Система направляющих

Тип ворот: промышленные ворота ProTrend низких типов монтажа с передним расположением вала.

Состав: система вертикальных и горизонтальных направляющих (правая и левая), боковой уплотнитель, мерная планка.

Единица измерения шт.

Артикул	Тип монтажа
GSH-30	Низкий монтаж с передним расположением вала
GSH-31	
GSH-32	Низкий монтаж с передним расположением вала (тип 2)
GSH-33	



**Низкий монтаж
с передним расположением вала (тип 2)**

1.1

1.2

1.3

1.4

1.5

2

3

4



ООО «Алютех Воротные Системы»



СООО «Алюмин Техно»



ООО «Алютех Инкорпорейтед»

Группа компаний «АЛЮТЕХ» является одним из лидеров рынка роллетных систем и секционных ворот в Западной и Восточной Европе, ведущим производителем алюминиевых профильных систем на территории СНГ. Холдинг включает в себя 5 производственных предприятий, а также более 20 сбытовых компаний в СНГ и Европе.

Все предприятия «АЛЮТЕХ» оснащены высокотехнологичным оборудованием, таким как:

- комплекс по окраске и раскрою алюминиевой и стальной ленты;
- роллформинговые линии;
- автоматизированные комплексы литья под давлением;
- линии по производству воротного полотна и сэндвич-панелей для секционных ворот;
- автоматизированные склады хранения и сортировки продукции;
- литейный комплекс по выпуску алюминиевых слитков;
- линии по производству алюминиевых экструдированных профилей;
- горизонтальная и вертикальные линии порошковой окраски;
- крупнейший в СНГ комплекс по анодированию алюминиевых профилей.

Наличие собственных производственных комплексов позволяет специалистам Группы компаний «АЛЮТЕХ» контролировать качество продукции на всех этапах производственного процесса: от разработки проекта, закупки сырьевых материалов до выпуска готовой продукции и ее упаковки. Система менеджмента качества на всех предприятиях Группы сертифицирована на соответствие требованиям международных стандартов ISO 9001 и ISO 14001.

ГК «АЛЮТЕХ» регулярно дополняет продуктовый портфель компании новыми технологичными решениями с учетом потребностей рынка. Так, помимо защитных систем, в ассортименте холдинга представлено перегрузочное оборудование для организации эффективной работы складов и логистических центров (докшелтеры, доквеллеры, перегрузочные посты и площадки), концептуальная автоматика для секционных и въездных ворот, а также электроприводы со встроенным радиоприемником для роллетных систем.

Производство компании установлена на миллионах объектов и поставляется более чем в 65 стран СНГ, Европы, Азии, Африки, Северной Америки, а также Австралию.